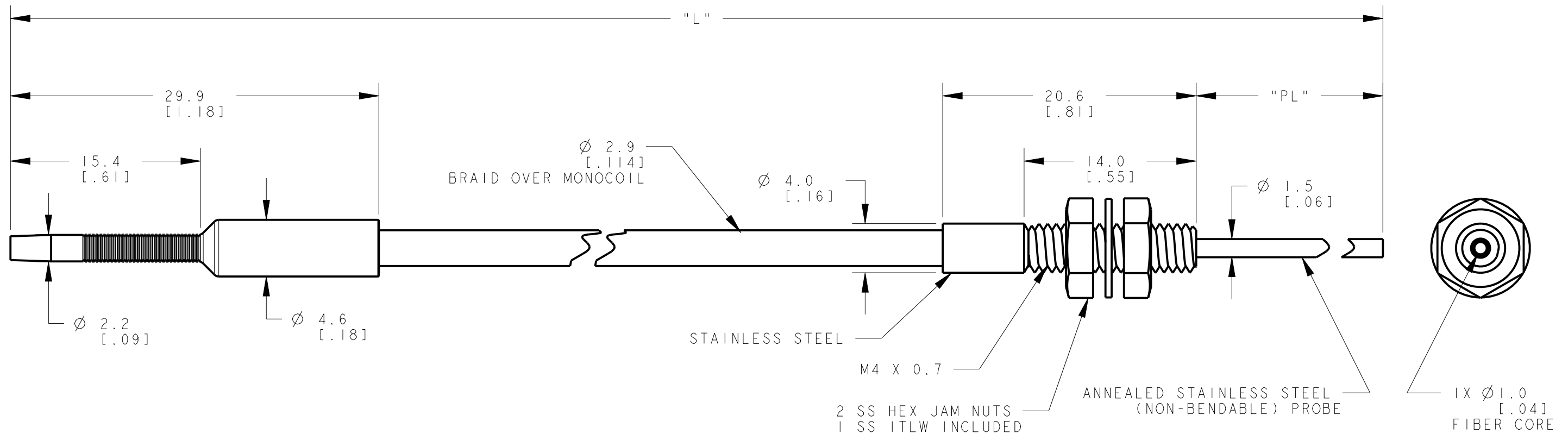


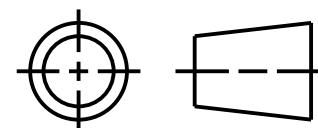
MODEL NO.	"L"	"PL"	P/N
PITP45TMB5	1524 [60]	89 [3.5]	74071
PITP44TMB5	1219 [48]	89 [3.5]	74070
PITP46TMB5	2000 [79]	89 [3.5]	70857
PITP43TMB5	1000 [39]	89 [3.5]	70856



NOTES:  
 1. ALL DIMENSIONS ARE MILLIMETERS [INCHES] UNLESS OTHERWISE NOTED.  
 2. REFER TO "www.bannerengineering.com" FOR ADDITIONAL DATA AND SPECIFICATIONS.

This drawing is the property of BANNER ENGINEERING CORP. Any use or reproduction, in any form, without prior written permission of Banner is prohibited. © 2015 Banner Engineering Corp.

THIRD ANGLE PROJECTION



		BANNER ENGINEERING CORP. <a href="http://www.bannerengineering.com">www.bannerengineering.com</a>	
TITLE <b>PITP 4 SERIES TERMINATED          WEB CAD DRAWING 2D/3D</b>			
SIZE B	DRAWING NO. <b>166375</b>	REV. <b>A</b>	
SCALE 3:1		SHEET 1 OF 1	