

Model **DLV30A/45A/70A-SP series**  
Brushless and Transformerless Type

**You can easily receive the output signal**



**Start**

**Reverse**

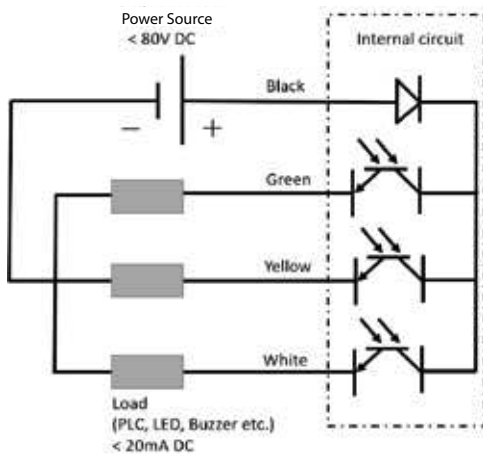
**Torque up**

- This range is a signal output type driver with a start signal, a reverse rotation signal, and a torque up signal.
- It can be utilized for security against failure to tighten screws.
- You can easily introduce a Pokayoke system!!
- The combination of brushless and transformerless technology is Eco-friendly

## Specifications

Model	Bit	Lever Start Push to Start	Low Speed		Standard		High Speed		Low Speed		Standard		Low Speed	
			DLV30A06L-SP(AB)	K	DLV30A12L-SP(AB)	K	DLV30A20L-SP(AB)	K	DLV45A06L-SP(AB)	K	DLV45A12L-SP(AB)	K	DLV70A06L-SP(AB)	K
Input Voltage			230 V AC, 50/60 Hz											
Torque Adjustment			Stepless											
Torque (Nm)	Low Torque Spring		0,4 - 1,6				2,0 - 4,5				3,8 - 7,0			
	High Torque Spring		1,2 - 3,0											
Free Speed (min <sup>-1</sup> )			650		1200		2000		650		1200		650	
Power Consumption (W)			Approx. 45											
Screw Size (mm)	Machine Screw		2,6 - 5,0				4,5 - 6,0				5,0 - 8,0			
	Tapping Screw		2,5 - 4,0				4,0 - 5,0				4,5 - 6,0			
Mass (g)			700				870							
Standard Accessories			Bit No.2 x 7 x 75 / Suspension Bail / Low Torque Spring				Bit No.2 x 7 x 75 / Suspension Bail							
Bit Type			1/4" / 6,35 mm Hex. Shank											

## Output Signal Schematic Diagram



- The output rating of each signal is a voltage of 80 V DC or less with a current of 20 mA DC or less.
- Even if the start switch is turned on when the forward rotation and the reverse rotation switches are at the neutral position, the start signal will be output.
- If the torque increases even in reverse rotation, the torque-up signal is output.

Screwdriver Cable Breakdown List	
Color	Details
Green	Start signal
Yellow	Reverse rotation signal
White	Torque up signal



## Operation Timing Chart

