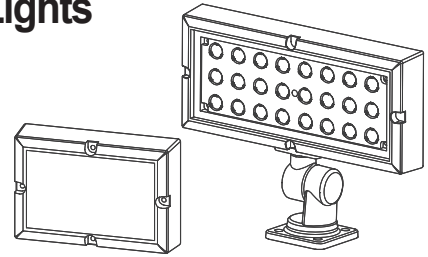


Water, Vibration, and Oil Resistant LED Work Lights

QML/ QMHL



Thank you for purchasing Qlight's products. Please read this user manual carefully prior to installation and operation to ensure safe and correct use.

⚠ Precautions for Safety

Failure to follow the instructions below may cause a loss of life or serious physical injury.

1. During wiring or maintenance, please completely turn off the power of the product. (Failure to follow this may lead to an electric shock.)
2. Do not install the product in locations that subjects it to excessive dust or water other than the conditions designated by the IP protection ratings indicated for each product. (Failure to follow these instructions may cause a fire to the product, electric shock, physical injury, malfunction or damage to the product.)
3. Do not alter or repair this product. If maintenance or repair service is required, please contact your local Qlight contact point. (Failure to follow these instructions may lead to fire, electric shock, or product damage.)
4. Please apply the correct voltage to the product. (Failure to follow these instructions may lead to fire, electric shock, or product damage.)
5. When the product is applied to a condition that may impact lives or property, please make sure to have a double safety device. (Failure to follow this may cause damage to property, fire, electric shock and loss of life.)

⚠ Precautions for Correct Use

Failure to follow the proper instructions may cause damage to property, the product, and or malfunction of the product that would void the warranty.

1. Please remove any objects that can interrupt ventilation around the product.
2. Please turn off the power of the product immediately if it fails to operate properly.
3. Carefully wire the product according to each product's specification.
4. Please be careful in preventing chemicals such as thinner, benzene, etc. in contact with the surface of the product.
5. Do not apply excessive force/impact to the product.
6. Failure to follow any of the instructions above may cause malfunction or damage to the product, fire, and electric shock.

Ordering Specifications

QML	150	D	24
[Model number]	[Product length]	[Mount bracket]	[Voltage]
• QML - Anti-glare • QMHL - High illumination	• 150 - 150mm • 250 - 250mm	• D : No bracket • K : Tilt bracket • MF : Tilt and swivel bracket	• 24 - DC24V



Please scan the QR code for more detailed product information.

www.qlight.com

Product Specifications

Optics Specifications

Model number	QML-150-D QML-150-K QML-150-MF	QML-250-D QML-250-K QML-250-MF	QMHL-150-D QMHL-150-K QMHL-150-MF	QMHL-250-D QMHL-250-K QMHL-250-MF
Lens color	Translucent	Translucent	Transparent	Transparent
Light color (Standard)	Cool daylight			
Color temperature (Standard)	5,500-6,000K			
Luminous flux	875lm	2,014lm	884lm	1,892lm
Illumination (at 1m)	620Lux	890Lux	1,000Lux	1,900Lux

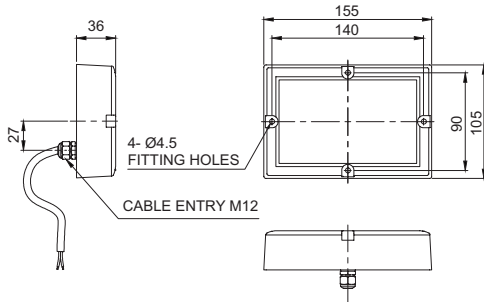
General Product Specifications

Model number	QML-150-D QML-150-K QML-150-MF	QML-250-D QML-250-K QML-250-MF	QMHL-150-D QMHL-150-K QMHL-150-MF	QMHL-250-D QMHL-250-K QMHL-250-MF
Rated voltage	DC24V	DC24V	DC24V	DC24V
Range for operation voltage	DC21.5V-26.5V			
Current	0.590A	1.250A	0.510A	1.020A
Power consumption	14W	30W	12W	25W
Insulation resistance	Min. 100MΩ(500V DC mega ohm meter)			
Withstanding voltage	DC : 500V AC, 60Hz, 1 minute			
Protection rating	IP67/ IP69K			
Operating temperature	-30°C to +60°C			
Materials	Housing :Al, Lens : Tempered glass, Cover : Al, Bracket : K type-ST5430/MF type-Al			
Certificate	CE / UL DC only (QMLseries only)			
Weight(approx.)	QML-150-D : 0.75kg QML-150-K : 0.93kg QML-150-MF : 0.98kg	QML-250-D : 1.30kg QML-250-K : 1.46kg QML-250-MF : 1.52kg	QMHL-150-D : 0.95kg QMHL-150-K : 1.05kg QMHL-150-MF : 1.45kg	QMHL-250-D : 1.20kg QMHL-250-K : 1.30kg QMHL-250-MF : 1.70kg

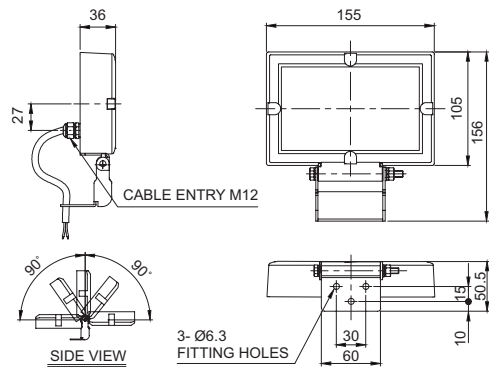
Dimensions

(Units : mm)

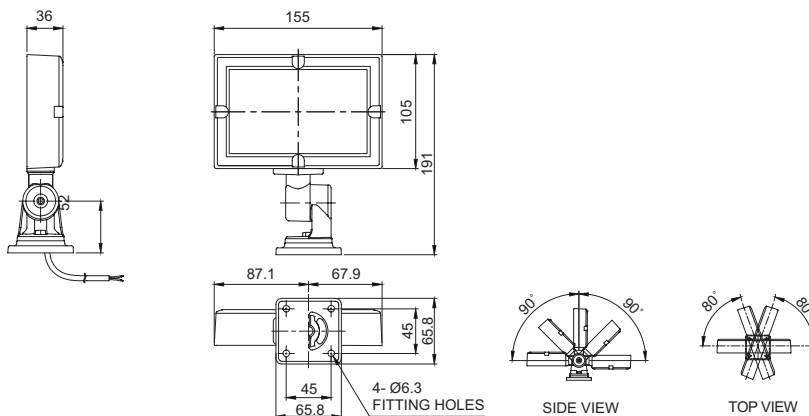
QML/ QMHL-150-D



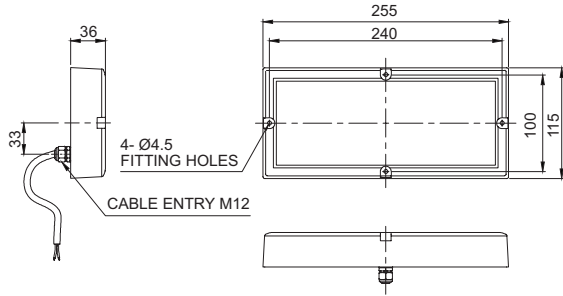
QML/ QMHL-150-K



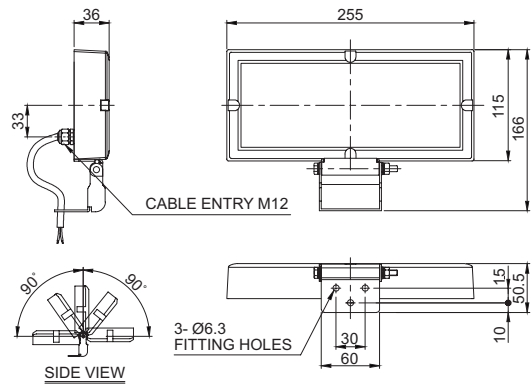
QML/ QMHL-150-MF



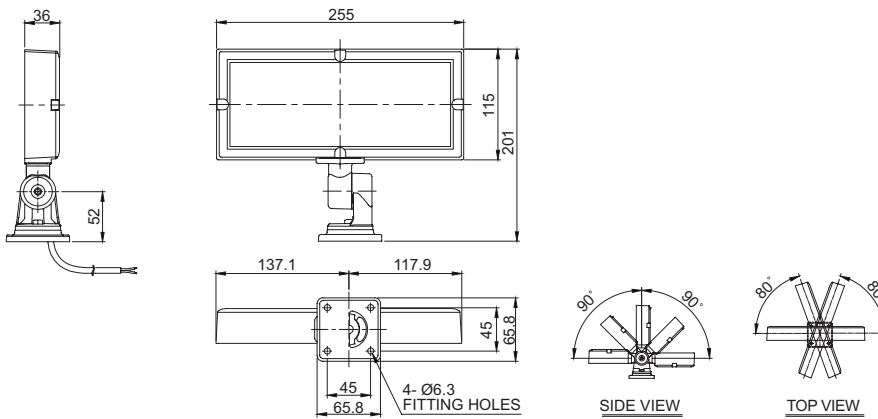
QML/ QMHL-250-D



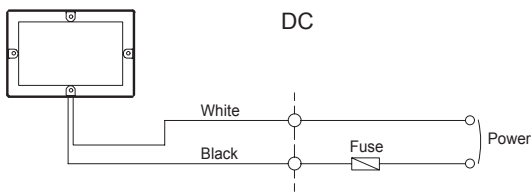
QML/ QMHL-250-K



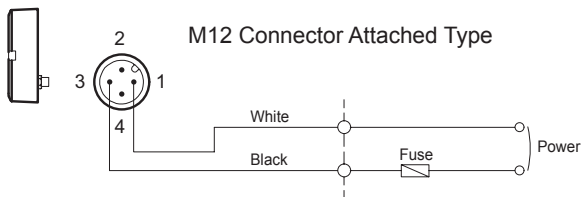
QML/ QMHL-250-MF



Wiring Instructions



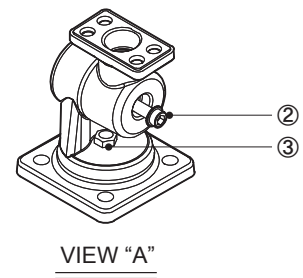
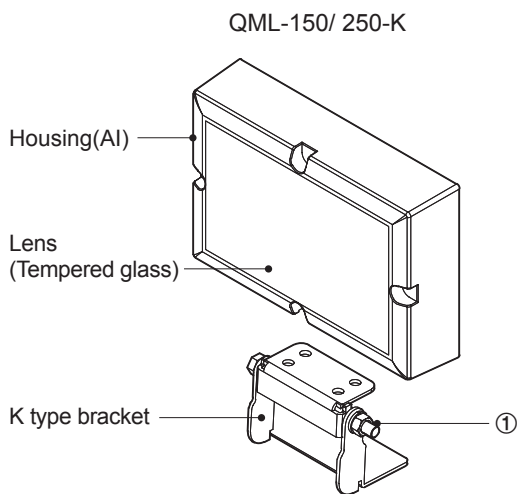
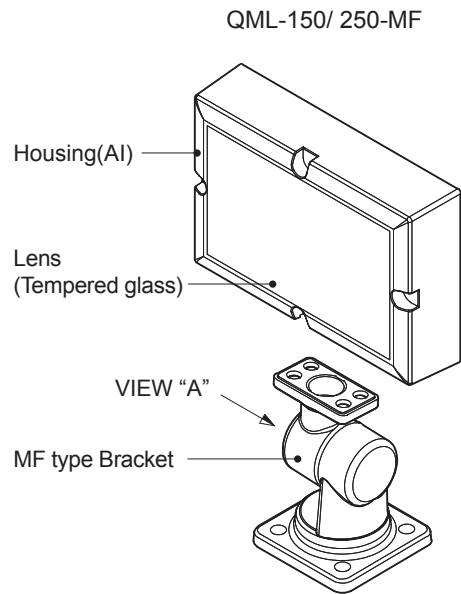
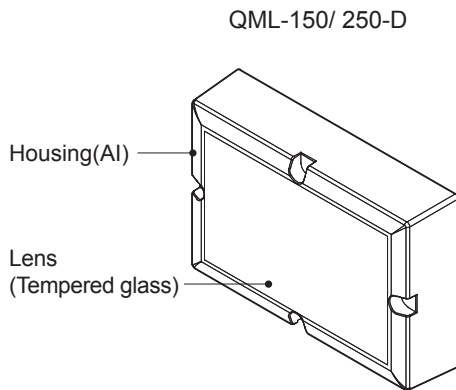
- External power line - Dura & Flex-F VU(0.5sq) x 2C 450mm
- This product can be wired regardless of polarity.
- When wiring the product, please ensure that the terminals are not exposed to coolant in order to prevent the bare wire from being contaminated.



- This product can be wired regardless of polarity.
- Please connect the 4 pins located in M12 connector cable to the M12 socket of the product.

Parts Definition/ Bracket Adjustment

■ Parts Definition

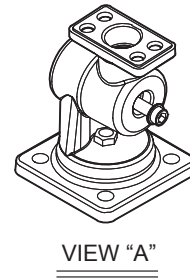
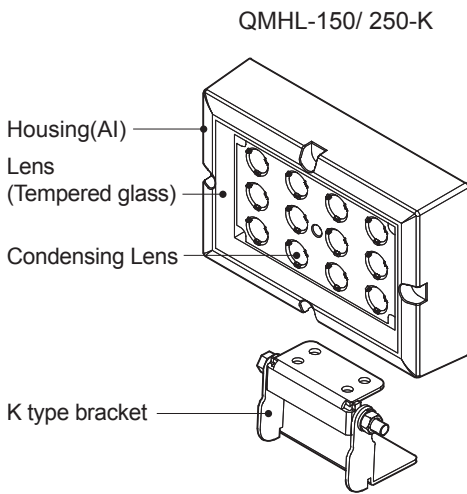
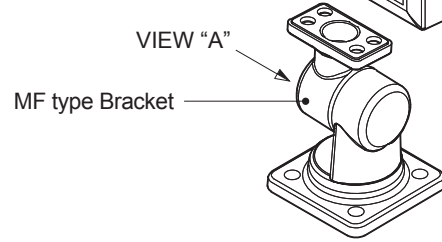
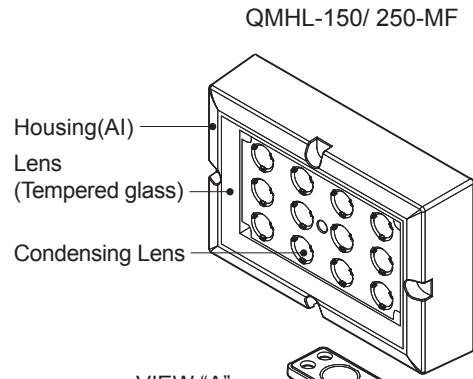
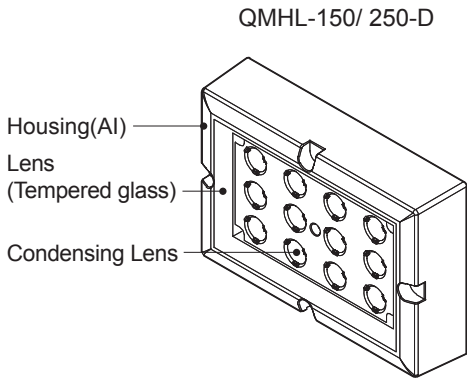


■ Bracket Adjustment

- K type bracket
 - Loosen the bolt ① and adjust the tilt angle to the desired location before securing the bolt.
- MF type bracket
 - When tilt adjustment is needed, loosen the bolt ② and adjust the tilt angle.
 - When swivel angle adjustment is needed, loosen the bolt ③ and swivel angle to the desired location.
 - When angle adjustment is done, please secure the bolt.

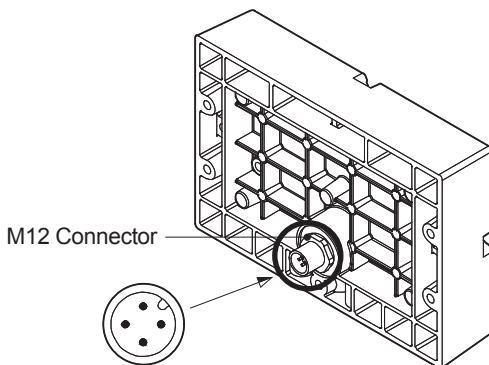
Parts Definition/ Bracket Adjustment

■ Parts Definition



※ Please refer to page 4 in regards to bracket adjustment.

■ M12 Connector Type Model(Customization)



- M12 connector type product with a cable entry is available upon request.
- Applied models : QML-150-D, QML-150-K, QML-250-D, QML-250-K, QMHL-150-D, QMHL-150-K, QMHL-250-D, QMHL-250-K

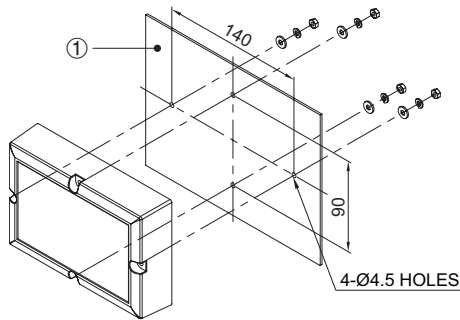
Installation/ Mounting Hole Specifications

■ Installation

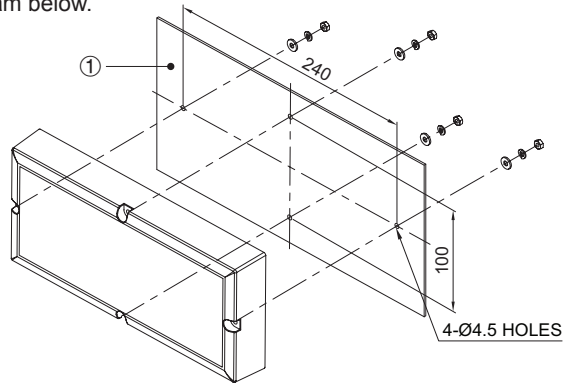
- First, machine taps or holes on the mounting surface (①).
- The mounting holes of this product are 4.5mm(D type) and 6.3mm(K type, MF type) in diameter.
- When machining taps, fasten the bolt through the mounting hole of the product.
- When machining holes, insert the bolt through the hole of the product, and tighten the nut from the opposite side of the mounting surface.

■ Mounting Hole Specifications

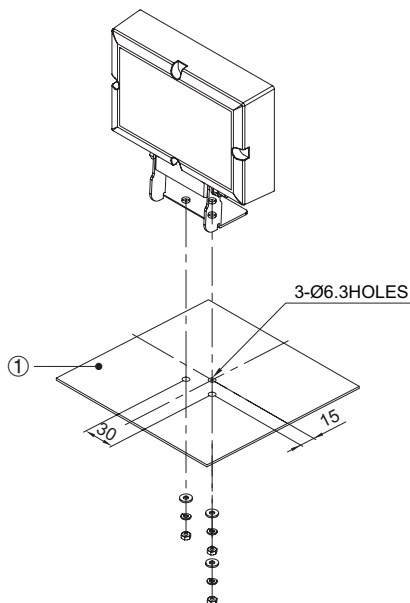
- Machine holes on the mounting surface referring to the diagram below.



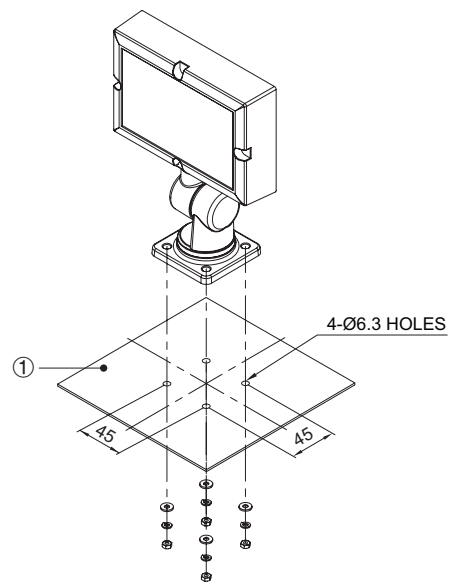
QML/ QMHL-150-D



QML/ QMHL-250-D



QML/ QMHL-150/ 250-K




QML/ QMHL-150/ 250-MF

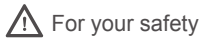
Installation Environment and Protection Rating

- This product is designed for use with protection rating of IP67/ IP69K.
- If the product is installed in locations that subject it to excessive dust or water other than the designated IP protection rating indicated(IP67/ IP69K), it may cause malfunction or damage to the product.
- For further information, please visit our website (www.qlight.com).

Technical Certification

- Qlight products are designed to meet strict quality and technical standards. Thus, the Qlight brand is widely recognized for its high quality and technical innovations from leading institutions around the world.

 <p>ISO International Organization for Standardization</p> <p>Qlight quality assurance systems have been certified by ISO by applying the ISO 9001:2008, KS Q ISO 9001:2009 regulation.</p>	 <p>IECEX International Explosion Proof Certification (IECEX)</p> <p>Certified that Qlight's products are being manufactured and manage according to international standards.</p>
 <p>ATEX The European Regulatory Framework or Manufacture, Installation and Use of Equipment in Explosive Atmospheres</p> <p>Qlight's explosion proof products comply with ATEX Directives 94/9/EC.</p>	 <p>NEPSI National Supervision and Inspection Center for Explosion Protection and Safety of Instrumentation</p> <p>Qlight's design and manufacturing system meets the People's Republic of China National explosion proof Standard. (Chinese Standard-GB3836/GB12476)</p>
 <p>KCs Explosion Proof Device Safety Certification System</p> <p>The safety performance of machines and equipment subject to safety certification and Technical capability and production system have been certified safety certification standards.</p>	 <p>TIIS Japan Explosion-proof Certification</p> <p>TIIS is a Japanes explosion proof test and certification system accordance with the Ministry of Health, Labour and Welfare Notice and the explosion proof guidelines for factory electrical equipment. Qlight's explosion proof products hasve been tested and certified by TIIS.</p>
 <p>ABS American Bureau of Shipping</p> <p>Qlight's design and quality assurance system has been certified by the American Bureau of Shipping.</p>	 <p>RMRS Russian Maritime Register of Shipping</p> <p>Qlight's design and quality assurance system has been certified from Russian Maritime Register of Shipping.</p>
 <p>CCS China Classification Society</p> <p>Qlight's design and quality assurance system has been certified by the China Classification Society.</p>	 <p>KR Korean Register of Shipping</p> <p>Qlight's design and quality assurance system has been certified by the Korean Register of Shipping.</p>
 <p>LR Lloyd's Register</p> <p>Qlight's design and quality assurance system has been certified from Lloyd's Register.</p>	 <p>E-mark Commission Directive Regarding Vehicle Industry</p> <p>Qlight has obtained EU mark for approved vehicles and vehicle components sold into the EU(EEA : European Economic Area)</p>
 <p>KC Korea Safety Certification</p> <p>Qlight's products are certified by KC for preventing accident caused by fire.</p>	 <p>KCC Conformity Assessment of Broadcasting Communication Equipment</p> <p>Qlight has been certified to protect the electromagnetic environment that causes unwanted electromagnetic waves from the device, communication failure due to other devices or external radio waves, and malfunction of the device.</p>
 <p>CCC China Compulsory Certificate</p> <p>Qlight's has obtained CCC which guarantees safety, protection against fraud, environment, etc.</p>	 <p>CCCF China Certification Center for Security & Protection</p> <p>Qlight has passed the rigorous examination process of "Passing Fire Protection Products Centering" In order to sell fire-fighting products such as fire alarm equipment to Chinese market.</p>
 <p>UL Underwriters Laboratories</p> <p>Qlight's design and quality assurance system has been certified from UL to ensure the stability of consumption goods and to protect consumers.</p>	 <p>CE European Commission</p> <p>Qlight has been certified by the European Commission.</p>
 <p>ICAO International Civil Aviation Organization</p> <p>Qlight guarantees our products satisfy the criteria regulated by the International Civil Aviation Organization(ICAO, FAA).</p>	 <p>RoHS2 Restriction of Hazardous Substances Directive</p> <p>Qlight c omplies with the Restriction of Hazardous Substances Directive by limiting its use of hazardous materials.</p>



For your safety

Specification and dimensions listed in this catalogue subject to change without notice for product quality improvement.
The newest product information is available on our website.(www.qlight.com)
Please read the instruction manual attached to the product carefully before installation and use.

Qlight Co., Ltd. www.qlight.com | trade@qlight.com

Head Office | Suite #1510, STX-V Tower, 128 Gasan digital 1-ro, Geumcheon-gu, Seoul, Korea Tel. +82-80-328-2222 Fax : +82-2-2679-6154

Factory | 185-25, Mukbang-ro, Sangdong-myeon, Gimhae-si, Gyeongsangnamdo, Korea Tel. +82-80-328-1111

Qlight Overseas Sales Dept | 704 Nakdong-daero, Sasang-gu, Busan, Korea(Eomgung-Dong) Tel : +82-51-620-4100

Qlight Public Relations & Marketing Team Office | 704 Nakdong-daero, Sasang-gu, Busan, Korea(Eomgung-Dong) Tel : +82-51-245-0017

Qlight USA, Inc. www.qlight.com www.qlightusa.com | sales@qlightusa.com

3003 North First Street, Suite #341, San Jose, CA 95134 USA Tel. +1.408.519.5740 Fax. +1.408.519.5739

SHANGHAI Qlight Electronic Co., Ltd. www.qlight.com www.qlightcn.com | qlightcn@qlight.com

China Factory/ Shanghai Sales Office | #19, Nanda Road, Baoshan Area, Shanghai, China Tel. +86.21.6651.7100 Fax. +86.21.6315.3929

Qlight
Innovation in Alarm & Signal

Product Operation Inquiry / Customer Support +82-51-620-4100

You can expect prompt service if you have exact information such as model name, symptom, telephone number and address.

※ALL PRODUCT, PRODUCT SPECIFICATIONS AND DATA ARE SUBJECT TO CHANGE WITHOUT NOTICE TO IMPROVE RELIABILITY, FUNCTION OR DESIGN OR OTHERWISE.

Head office : Suite #1510, STX-V Tower, 128 Gasan digital 1-ro, Geumcheon-gu, Seoul, Korea (Postal Code : 08507)

Factory : 185-25, Mukbang-Ro, Sangdong-Myeon, Gimhae-Si, Gyeongsangnam-Do, Korea (Postal Code : 50805)

www.qlight.com