



SOUTHERN CALIFORNIA HYDRAULIC ENGINEERING CORPORATION

DESIGNERS AND MANUFACTURERS OF HYDRAULIC & PNEUMATIC EQUIPMENT

1130 COLUMBIA STREET BREA, CALIFORNIA 92821

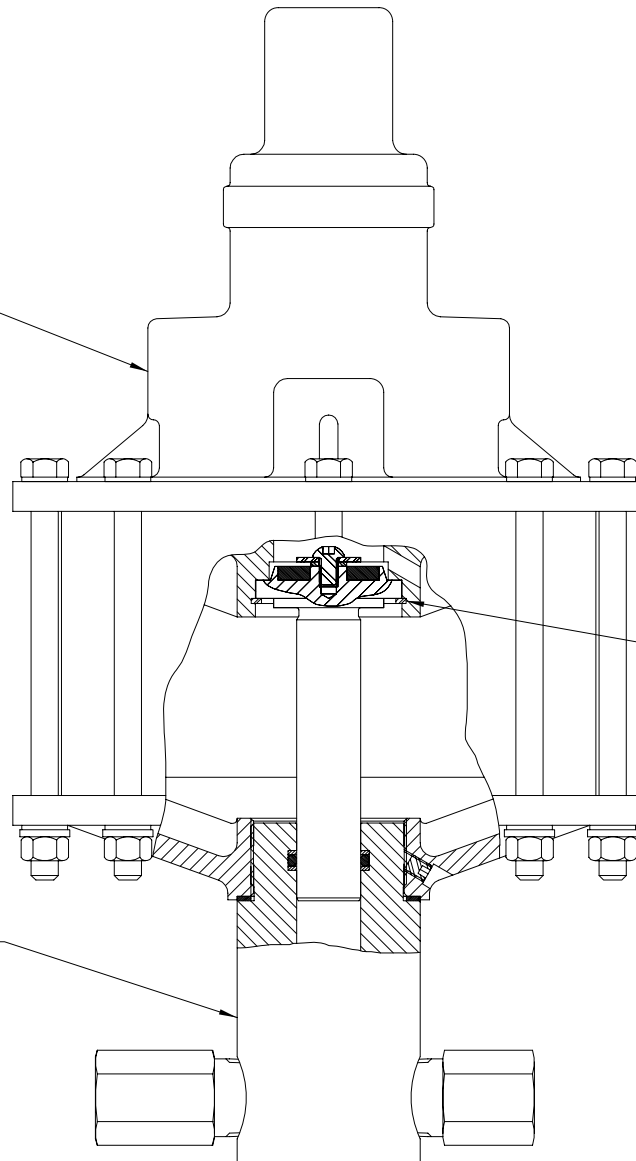
NON-LUBE PUMP ASSEMBLY 10-6000W030 THRU W100

LUBE PUMP ASSEMBLY 10-6000W030L THRU W100L

(NOTES: P/N 10-6000W030 THRU W100 WAS D6000B55 THRU B180)

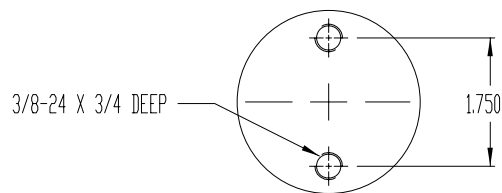
REV. B. 08/09/13

AIR MOTOR ASSEMBLY
11-6094ADLO FOR NON-LUBE PUMP
11-6094A000 FOR LUBE PUMP



RETAINING RING
12-R200S000 (REF)

HYDRAULIC ASSEMBLY
11-6010W030
11-6010W050
11-6010W080
11-6010W100



MOUNTING DIMENSIONS



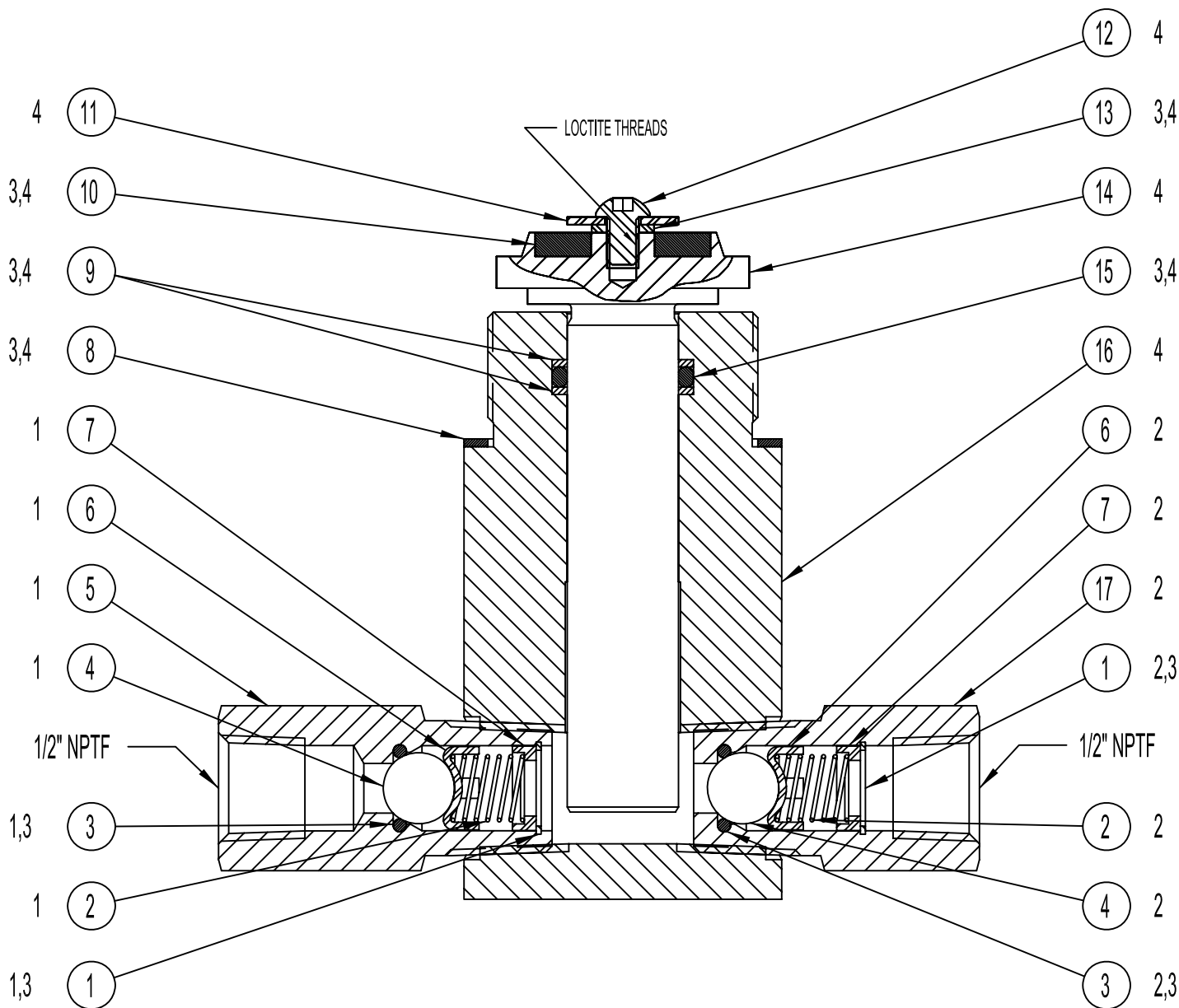
SOUTHERN CALIFORNIA HYDRAULIC ENGINEERING CORPORATION

DESIGNERS AND MANUFACTURERS OF HYDRAULIC & PNEUMATIC EQUIPMENT

1130 COLUMBIA STREET BREA, CALIFORNIA 92821

REV A, 04/26/13

HYDRAULIC ASSEMBLY 11-6010W030 THRU W100



*
4. INCLUDED IN 11-6011WXXX PISTON & CYLINDER ASSEMBLY

* XXX REPRESENTS PUMP ASSEMBLY MODEL NUMBER

*
3. INCLUDED IN 11-6099NXXX HYDRAULIC REPAIR KIT

2. INCLUDED IN 11-5023S000 OUTLET CHECK VALVE ASSEMBLY

1. INCLUDED IN 11-5024S000 INLET CHECK VALVE ASSEMBLY



SOUTHERN CALIFORNIA HYDRAULIC ENGINEERING CORPORATION

DESIGNERS AND MANUFACTURERS OF HYDRAULIC & PNEUMATIC EQUIPMENT

1130 COLUMBIA STREET BREA, CALIFORNIA 92821

BILL OF MATERIALS: 10-550-010

DRAWING NUMBER & DESCRIPTION: 11-6010W030 THRU W100 HYDRAULIC ASSEMBLY

REVISION: A, 04/26/13

ITEM	QTY	PART NO.	DESCRIPTION	W030 (55:1)	W050 (95:1)	W080 (145:1)	W100 (180:1)	REF.NO.
1	2	P10202-068	RETAINING RING	X	X	X	X	12-R068S000
2	2	11-5013S000	SPRING	X	X	X	X	10-450-13
3	2	P11003-112	O-RING	X	X	X	X	12-6227N010S
4	2	12-0440S562	CHECK BALL	X	X	X	X	
5	1	11-5019S000	SEAT-INLET	X	X	X	X	10-450-19
6	2	11-5034S002	BALL GUIDE	X	X	X	X	10-450-34-2
7	2	11-5017S000	SPRING GUIDE	X	X	X	X	10-450-17
8	1	11-5028N000	GASKET	X	X	X	X	10-450-28
9	2	P11227-212	BACK-UP	X				12-8774T017
9	2	P11227-115	BACK-UP		X			12-8774T013
9	2	P11227-113	BACK-UP			X		12-8774T010
9	2	P11227-112	BACK-UP				X	12-8774T010
10	1	11-5051P000	PISTON BUMPER	X	X	X	X	10-450-51
11	1	12-25N87WF1Z	FENDER WASHER	X	X	X	X	
12	1	12-25F37SBC45Z	BUTTON HEAD CAP SCREW	X	X	X	X	
13	1	P10212-025	HEL. SPRING LOCK WASHER	X	X	X	X	12-5001C407
14	1	11-6008S030	HYDRAULIC PISTON	X				10-550-8-3
14	1	11-6008S050	HYDRAULIC PISTON		X			10-550-8-5
14	1	11-6008S080	HYDRAULIC PISTON			X		10-550-8-8
14	1	11-6008S100	HYDRAULIC PISTON				X	10-550-8-10
15	1	P11000-212	O-RING	X				12-6227N017
15	1	P11000-115	O-RING		X			12-6227N013
15	1	P11000-113	O-RING			X		12-6227N011
15	1	P11000-112	O-RING				X	12-6227N010
16	1	11-6009B030	HYDRAULIC CYLINDER	X				10-550-9-3
16	1	11-6009B050	HYDRAULIC CYLINDER		X			10-550-9-5
16	1	11-6009B080	HYDRAULIC CYLINDER			X		11-550-9-8
16	1	11-6009B100	HYDRAULIC CYLINDER				X	10-550-9-10
17	1	11-5020S000	SEAT-OUTLET	X	X	X	X	10-450-20

WHERE USED: 10-6000W030-W100, 10-6000W030L-W100L,
10-6V00W030-W100, 10-6V00W030L-W100L
D6000B55-B180, D6V00B55-B180
83-6000W100-PWEH