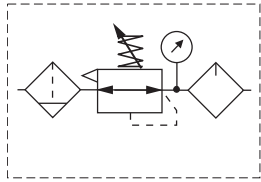


Combination C90

= "Most Popular"



B

Filters, Regulators, Lubricators

Filter + Regulator + Lubricator Combinations
5 micron element, 12 bar (174 psig) regulator + gauge and wall mounting bracket

Ordering information

Port size	Flow [‡] scfm	Weight kg (lb)	Combined manual / semi-auto drain part number†	Auto drain part number†
3/4"	170	3.3 (7.3)	C90-06-ALGM	C90-06-AHGM
1"	170	3.3 (7.3)	C90-08-ALGM	C90-08-AHGM

† Standard part numbers shown in bold. For other models refer to Options chart below.
 ‡ Flow with 10 bar (145 psig) inlet pressure, 6.3 bar (91.4 psig) set pressure and 1 bar (14.5 psig) pressure drop.

Options

C90	-	0	-	6	-	A	-	H	-	G	-	M
Unit function Filter + Regulator + Lubricator C90		Thread type* NPT 0 BSPP C		Port size 3/4 6 1 8		Regulator function / pressure A Relieving / 0-174 PSI		Bowl / drain type H Metal bowl with sight gauge / auto drain L Metal bowl with sight gauge / manual drain		Option G Gauge		Option M Mounting bracket

*Note: For 1-1/2" ported unit, please order P3YKA*BCP port block kit separately.
Bold items are most common.

= "Most Popular"

Note: For Kits and Repair Parts, see individual pages for Filters, Regulators, and Lubricators.

⚠ WARNING

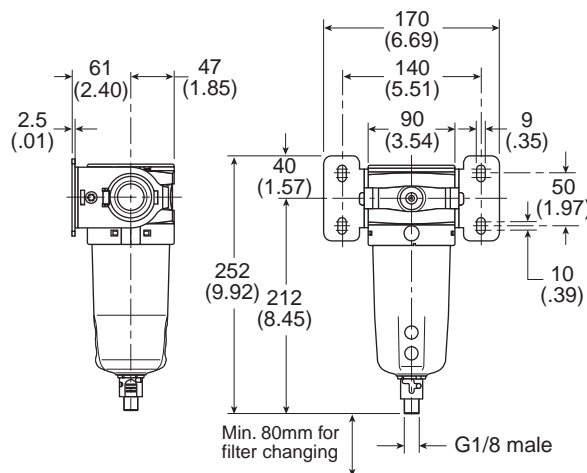
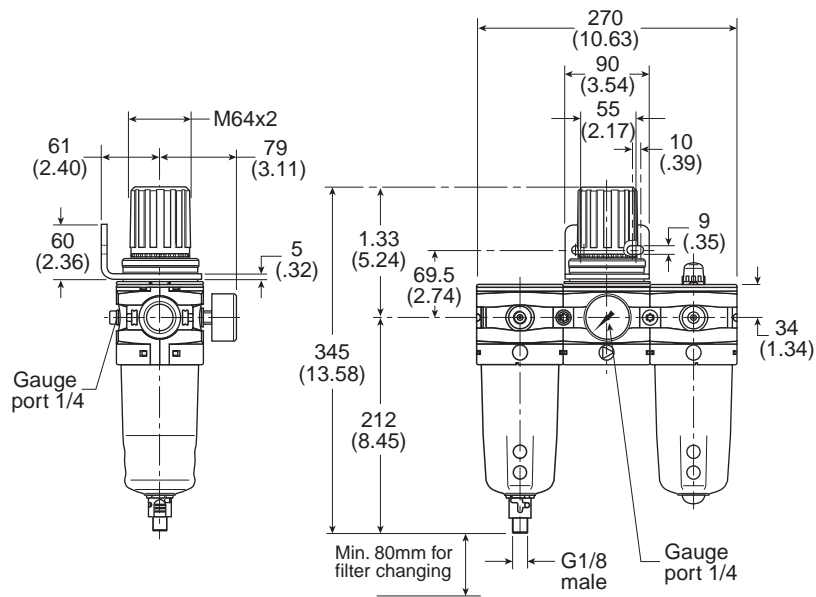
**Product rupture can cause serious injury.
Do not connect regulator to bottled gas.
Do not exceed maximum primary pressure rating.**

CAUTION:

REGULATOR PRESSURE ADJUSTMENT – The working range of knob adjustment is designed to permit outlet pressures within their full range. Pressure adjustment beyond this range is also possible because the knob is not a limiting device. This is a common characteristic of most industrial regulators, and limiting devices may be obtained only by special design.

For best performance, regulated pressure should always be set by increasing the pressure up to the desired setting.

Dimensions mm (inches)



B
Filters, Regulators, Lubricators