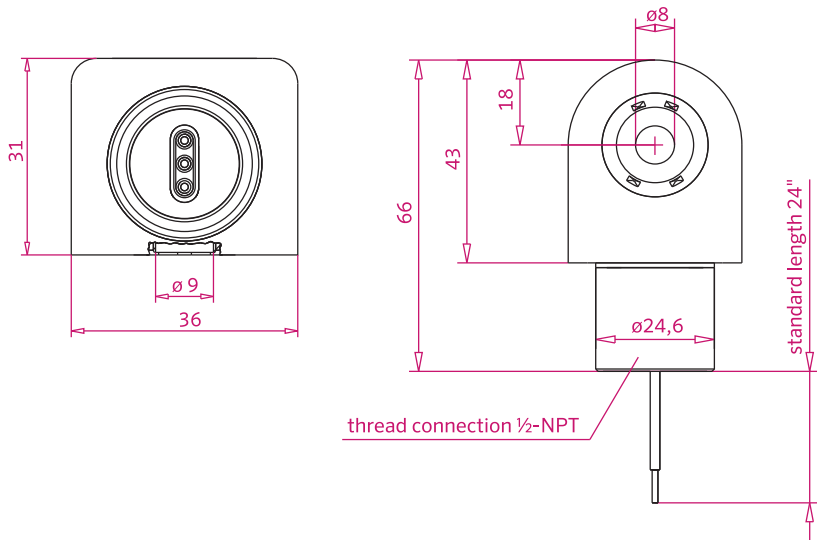


## SOLENOID COIL SYSTEM 8 CSA/FM

Width: 36 mm  
 Sondervariante: CSA class 2258 02 - process control equipment - for hazardous locations  
 FM class 3600, 3611, 3615, 3810 - hazardous (classified) location electrical equipment  
 Approval: Ex m II T4  
 Connection type: flying leads, thread ½-NPT  
 Moulding material: Thermoplast

### General Data

Voltage tolerance ..... ± 10 %  
 Ambient temperature ..... - 20 °C to + 60 °C  
 Relative duty cycle ..... 100 %  
 Insulation class of insulating materials according to DIN VDE 0580 ..... H  
 Degree of protection ..... IP 65  
 Type-examination certificates ..... CSA 202633, FM 3006713  
 Imprint ..... *nass magnet* (customer imprint possible)  
 Length of flying leads ..... 24 Inch (0,61 m)



**Technical Data** Standard Versions

Part No.	Voltage [V]	Frequency [Hz]	Output [W]	Power Level [VA]	Threaded Connector		Length of Flying Leads	
					steel*	stainless steel		
108-030-0198	220 AC	50		7,7	5	x	610 mm	
108-030-0965	12 DC	-	4,5		5		x	600 mm
108-030-0952	24 DC	-	4,6		5	x		600 mm
108-030-0953	110 AC	50		7,5	5	x		600 mm
108-030-0954	12 DC	-	4,5		5	x		600 mm
108-030-0955	120 AC	60		6,8	5	x		600 mm
108-030-0956	240 AC	60		6,8	5	x		600 mm
108-030-0963	24 DC	-	4,6		5		x	600 mm
108-030-0964	230 AC	50		7,7	5		x	600 mm
108-030-0966	120 AC	60		6,8	5		x	600 mm
108-030-0967	240 AC	60		6,8	5		x	600 mm
108-030-0971	24 DC	-	4,6		5		x	900 mm

**Notes**

- (\*) The threaded connector is available either as a zinc-chrome-plated steel version or as a stainless steel version.
- Please refer to the manual prior to start of operation!

**Hazardous Locations**

Ex m II T4 and Division 1

- Specifications in accordance to CSA certificate:
  - Class I, Division 1, Groups A, B, C and D; Class II, Groups E, F and G; Class III;
  - Class I, Division 2, Groups A, B, C, D.
- Specifications in accordance to FM certificate:
  - Explosionproof Class I, Division 1, Groups A, B, C, D, T4, Ta = 60 °C;
  - encapsulation/explosionproof Class I, Zone 1, AEx m II T4, Ta = 60 °C;
  - dust-ignitionproof for Class II/III, Division 1, Groups E, F and G, T4, Ta = 60 °C;
  - Nonincendive Class I, Division 2, Groups A, B, C, D, T4, Ta = 60 °C
  - Suitable for Class II, III, Division 2, Groups E, F, G, T4, Ta = 60 °C

The current norms can be found in the certificates.