

Description

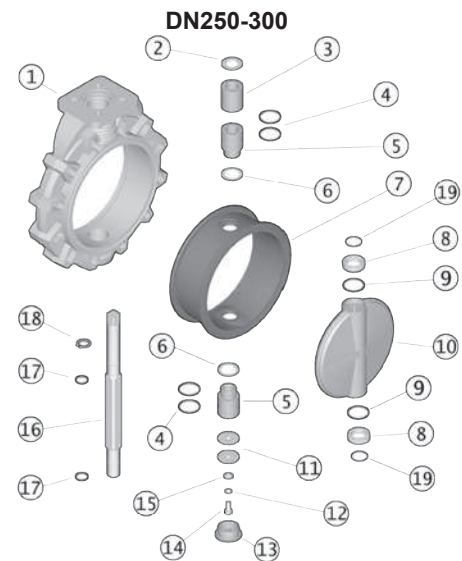
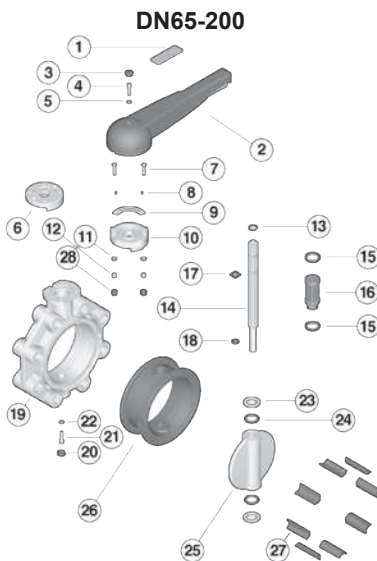
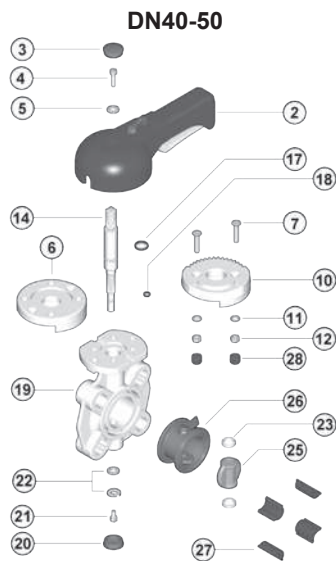
Centric PP butterfly valve with elastomer liner EPDM or Viton® (FPM) for water and harmless fluids to which the material is resistant.

Product features

FKOM	Disc PP (standard execution)
FKOC	Disc PVC-C
FKOF	Disc PVDF
• Face to face dimension	DN040-200: ISO 5752/25, EN 558/1-25 DN250-300: ISO 5752/16, EN 558/1-16
• Top flange	according to EN ISO 5211
• Max. working pressure	DN40-250 10 bar, DN300 8 bar
• Rating	PN10 (DN40-300), PN16 (DN40-150), ANSI cl. 150 (DN40-200)



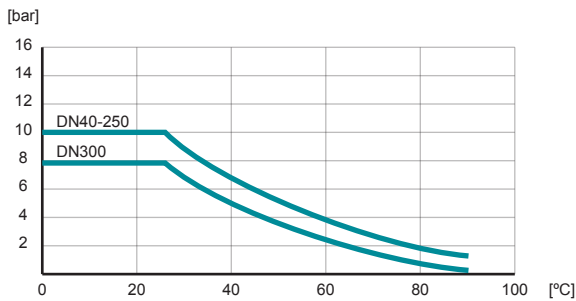
Construction



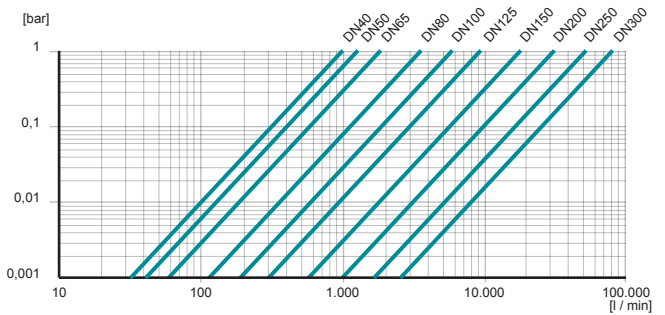
DN40-200								
1	Insert	ABS	11	Washer	Stainless steel	21	Screw	Stainless steel
2	Handle	PVC	12	Nut	Stainless steel	22	Washer	Stainless steel
3	Protection cap	PE	13	Seeger ring	Stainless steel	23	Anti-friction ring	PTFE
4	Screw	Stainless steel	14	Shaft	Stainless steel	24	Disc O-ring	EPDM or Viton®
5	Washer	Stainless steel	15	Bush O-ring	EPDM or Viton®	25	Disk	PP,PVC-C,PVDF
6	Flange	PP-GR	16	Bush	Nylon	26	Liner	EPDM or Viton®
7	Screw	Stainless steel	17	Shaft O-ring	EPDM or Viton®	27	Inserts	ABS
8	Screw	Stainless steel	18	Shaft O-ring	EPDM or Viton®	28	Plug	PE
9	Ratchet	Stainless steel	19	Body	PP-GR			
10	Pad	PP-GR	20	Protection cap	PE			

DN250-300					
1	Body	PP-GR	11	Washer	Stainless steel
2	Washer	Stainless steel	12	Washer	Stainless steel
3	Bush	PP	13	Protection cap	PE
4	Bush O-Ring	EPDM or Viton®	14	Screw	Stainless steel
5	Bush	PP	15	Washer	Stainless steel
6	Washer	PTFE	16	Shaft	Stainless steel
7	Liner	EPDM or Viton®	17	Shaft O-Ring	EPDM or Viton®
8	Anti-friction ring	PTFE	18	Seeger ring	Stainless steel
9	Disc O-Ring	EPDM or Viton®	19	O-Ring	EPDM or Viton®
10	Disc	PP,PVC-C,PVDF			

Pressure- / temperature diagram:



Pressure loss diagram:

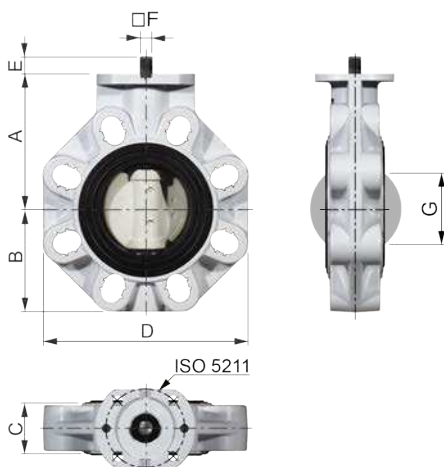


kv values:

d / DN	50 / 40	63 / 50	75 / 65	90 / 80	110 / 100	140 / 125	160 / 150	115 / 200	280 / 250	315 / 300
kv [l/min]	1 000	1 285	1 700	3 550	5 900	9 850	18 700	30 500	53 200	81 600

Dimensions

With bare shaft



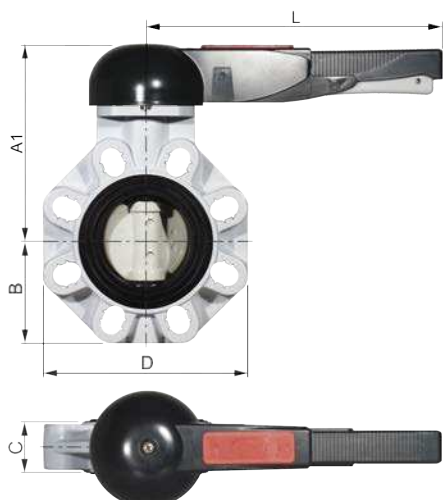
Before installing the valve it is suggested to check that stubs internal diameter allows the complete disc opening (**note dimension G!**)

	d	DN	A	B	C	D	E	F	G	ISO5211	[kg]
FKOM 050 03	50	40	94	60	33	132	24	11	25	F05	0,57
FKOM 063 03	63	50	100	70	43	147	24	11	28	F05	0,75
FKOM 075 03	75	65	107	80	46	165	24	11	47	F05/F07	1,00
FKOM 090 03	90	80	121	93	49	185	28	14	64	F07	1,40
FKOM 110 03	110	100	135	107	56	211	28	14	84	F07	1,75
FKOM 125 03*	125	125	155	120	64	240	31	17	108	F07	2,55
FKOM 140 03	140	125	155	120	64	240	31	17	108	F07	2,55
FKOM 160 03	160	150	168	134	70	268	31	17	134	F07	3,30
FKOM 225 03	225	200	227	161	71	323	36	22	187	F10	6,0
FKOM 280 03	280	250	248	210	114	405	29	27	225	F10/12/14	12,0
FKOM 315 03	315	300	305	245	114	475	29	27	280	F10/12/14	19,0

Code 03 = with EPDM liner
Code 02 = with Viton® liner

* FKO 125 is the same as FKO 140 but with special stubs d125 DN125 to be mounted with flange d140 DN125

With hand lever

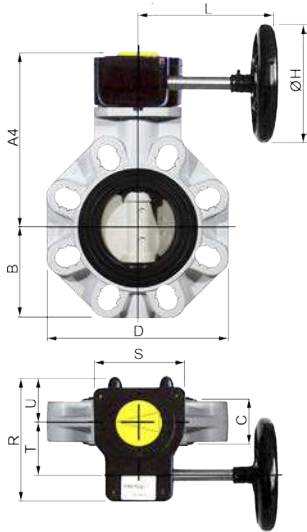


	d	DN	A1	B	C	D	L	[kg]
FKOM 050 03	50	40	137	60	33	132	175	0,90
FKOM 063 03	63	50	143	70	43	147	175	1,08
FKOM 075 03	75	65	164	80	46	165	272	1,47
FKOM 090 03	90	80	178	93	49	185	272	1,87
FKOM 110 03	110	100	192	107	56	211	272	2,22
FKOM 125 03	125	125	212	120	64	240	330	3,10
FKOM 140 03	140	125	212	120	64	240	330	3,10
FKOM 160 03	160	150	225	134	70	268	330	3,85
FKOM 225 03	225	200	272	161	71	323	420	6,75

Code 03 = with EPDM liner
Code 02 = with Viton® liner

Dimensions

With gear box



GB232: Aluminium, Polyurethan coated

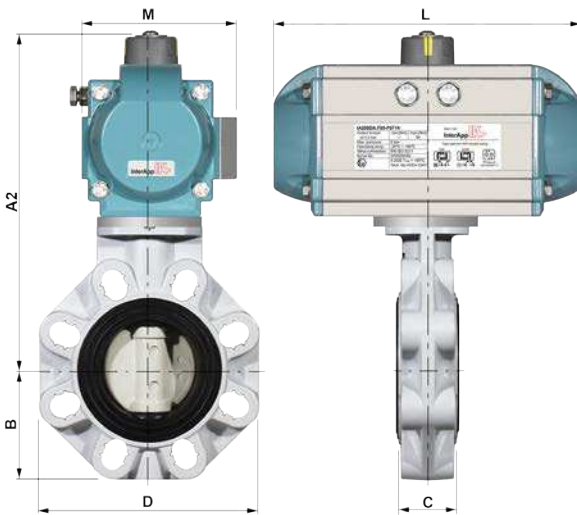
	d	DN	A4	B	C	D	L	ØH	R	S	T	U	n*	[kg]
FKOM 050 03 + GB232-05.F05-F0711.100	50	40	146	60	33	132	109	100	110,5	80	42,5	44,5	10	1,4
FKOM 063 03 + GB232-05.F05-F0711.100	63	50	152	70	43	147	109	100	110,5	80	42,5	44,5	10	1,6
FKOM 075 03 + GB232-05.F05-F0711.100	75	65	159	80	46	165	109	100	110,5	80	42,5	44,5	10	1,8
FKOM 090 03 + GB232-05.F05-F0714.100	90	80	173	93	49	185	109	100	110,5	80	42,5	44,5	10	2,2
FKOM 110 03 + GB232-05.F05-F0714.100	110	100	187	107	56	211	109	100	110,5	80	42,5	44,5	10	2,6
FKOM 125 03 + GB232-07.F0717.160	125	125	207	120	64	240	109	160	133	100	50	58	9,25	4,4
FKOM 140 03 + GB232-07.F0717.160	140	125	207	120	64	240	109	160	133	100	50	58	9,25	4,4
FKOM 160 03 + GB232-07.F0717.160	160	150	220	134	70	268	109	160	133	100	50	58	9,25	5,1
FKOM 225 03 + GB232-10.F1022.250	225	200	302	161	71	323	205	250	177,5	148	60	82,5	11,25	9,3
FKOM 280 03 + GB232-12.F1227.315	280	250	336	210	114	405	229	315	218	175	80	91	10	19
FKOM 315 03 + GB232-12.F1227.315	315	300	393	245	114	475	229	315	218	175	80	91	10	26

Code 03 = with EPDM liner
Code 02 = with Viton® liner

* n = Handwheel turns ON/OFF

With pneumatic actuator

Selection of actuator for 6 bar air supply



Double acting actuator

	d	DN	A2	B	C	D	L	M	[kg]
FKOM 050 03 + IA100D.F05-F0711	50	40	209	60	33	132	154	91,5	2,27
FKOM 063 03 + IA100D.F05-F0711	63	50	215	70	43	147	154	91,5	2,45
FKOM 075 03 + IA100D.F05-F0711	75	65	222	80	46	165	154	91,5	2,70
FKOM 090 03 + IA100D.F05-F0714	90	80	236	93	49	185	154	91,5	3,10
FKOM 110 03 + IA200D.F05-F0714	110	100	267	107	56	211	204	105	4,65
FKOM 125 03 + IA200D.F05-F0717	125	125	287	120	64	240	204	105	5,45
FKOM 140 03 + IA200D.F05-F0717	140	125	287	120	64	240	204	105	5,45
FKOM 160 03 + IA250D.F05-F0717	160	150	313	134	70	268	241	118,5	7,40
FKOM 225 03 + IA300D.F07-F1022	225	200	384	161	71	323	259	130,5	11,6
FKOM 280 03 + IA400D.F07-F1027	280	250	435	210	114	405	333	159	23,0
FKOM 315 03 + IA450D.F10-F1227	315	300	512	245	114	475	395	182,5	34,0

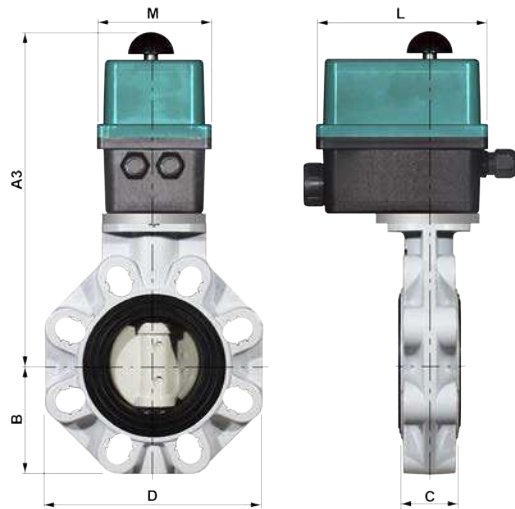
Single acting actuator

	d	DN	A2	B	C	D	L	M	[kg]
FKOM 050 03 + IA200S12.F05-F0714 (R11)	50	40	226	80	46	165	204	105	3,87
FKOM 063 03 + IA200S12.F05-F0714 (R11)	63	50	232	80	46	165	204	105	4,05
FKOM 075 03 + IA200S12.F05-F0714 (R11)	75	65	239	80	46	165	204	105	4,30
FKOM 090 03 + IA200S12.F05-F0714	90	80	253	93	49	185	204	105	4,70
FKOM 110 03 + IA250S12.F05-F0717 (R14)	110	100	280	107	56	211	241	118,5	6,45
FKOM 125 03 + IA300S12.F07-F1017	125	125	312	120	64	240	259	130,5	9,05
FKOM 140 03 + IA300S12.F07-F1017	140	125	312	120	64	240	259	130,5	9,05
FKOM 160 03 + IA350S12.F07-F1017	160	150	353	134	70	268	304	148,5	13,3
FKOM 225 03 + IA450S12.F10-F1227 (R22)	225	200	444	161	71	323	395	182,5	24,0
FKOM 280 03 + IA550S12.F10-F1227	280	250	528	210	114	405	473	223	45,0
FKOM 315 03 + IA550S12.F10-F1227	315	300	585	245	114	475	473	223	52,0

Code 03 = with EPDM liner
Code 02 = with Viton® liner

Dimensions

With electric actuator
230V50Hz, 1 phase, IP65



	d	DN	A3	B	C	D	L	M	[kg]
FKOM 050 03 + ER35-100-240/AC-035-F05-F0711	50	40	251	80	46	165	136	92	2,07
FKOM 063 03 + ER35-100-240/AC-035-F05-F0711	63	50	257	80	46	165	136	92	2,25
FKOM 075 03 + ER35-100-240/AC-035-F05-F0711	75	65	264	80	46	165	136	92	2,50
FKOM 090 03 + ER35-100-240/AC-035-F05-F0714	90	80	278	93	49	185	136	92	2,90
FKOM 110 03 + ER60-100-240/AC-060-F05-F0714	110	100	320	107	56	211	151	128	4,75
FKOM 125 03 + ER100-100-240/AC-100-F05-F0717	125	125	340	120	64	240	151	128	5,55
FKOM 140 03 + ER100-100-240/AC-100-F05-F0717	140	125	340	120	64	240	151	128	5,55

Code **03** = with EPDM liner
Code **02** = with Viton® liner

Other tensions on request