

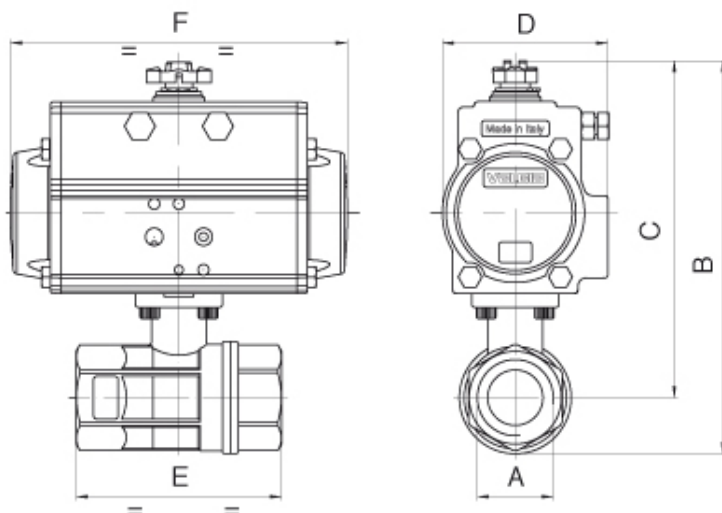


Serie **2 vie**

Articolo **8P007900 - 8P008100**

2 way, brass ball valve, full bore according to DIN 13547 [RB art. 2500] threaded F/F, not suitable for use with solvents.

PRESSIONE MINIMA ALIMENTAZIONE ATTUATORE 6 bar actuator air supply pressure minimum 6 bar



Art. 8P007900

VALVOLA CON ATTUATORE DOPPIO EFFETTO VALVE WITH DOUBLE ACTING ACTUATOR

PN	40	40	40	40	40	40	40	40	25	16	16
DN - A	1/4"	3/8"	1/2"	3/4"	1"	1" 1/4	1" 1/2	2"	2" 1/2	3"	4"
B	115	115	115	120	135	144	203	221	259	279	345
C	98	98	98	100	111	114	166	175	202	211	262
D	45	45	45	45	45	45	71	71	81	81	106
E	67	67	67	76	90	102	114	138	165	188	225
F	110	110	110	110	110	110	141	141	164	164	241
ACT.	DA 32	DA 32	DA 32	DA 32	DA 32	DA 32	DA 52	DA 52	DA 63	DA 63	DA 85
RI	4015	4015	4015	4015	4015	4015	4016	4016	4021	4021	4021

Art. 8P008100

VALVOLA CON ATTUATORE SEMPLICE EFFETTO VALVE WITH SPRING RETURN ACTUATOR

PN	40	40	40	40	40	40	40	40	25	16	16
DN - A	1/4"	3/8"	1/2"	3/4"	1"	1" 1/4	1" 1/2	2"	2" 1/2	3"	4"
B	151	151	151	156	172	180	214	232	291	311	358
C	134	134	134	136	147	151	177	186	234	243	275
D	71	71	71	71	71	71	81	81	106	106	123
E	67	67	67	76	90	102	114	138	165	188	225
F	141	141	141	141	141	141	164	164	241	241	275
ACT.	SR 52	SR 52	SR 52	SR 52	SR 52	SR 52	SR 63	SR 63	SR 85	SR 85	SR 100
RI	4017	4017	4017	4017	4017	4017	4018	4018	4020	4020	4029