

1. UG045	5
1.1 Burner Kit	5
2. UG045-090	6
2.1 Complete view	6
2.2 Hydraulic part view	7
3. UG045-090-180	8
3.1 Electrical panel	8
3.2 Burner Kit UG090-UG180	9
4. UG180	10
4.1 Complete view	10
4.2 Hydraulic part view	11
5. SPARE PARTS LIST	12
5.1 Spare parts UG***HD003	12
5.1 Fumisteria	12

1. UG045

1.1 Burner Kit

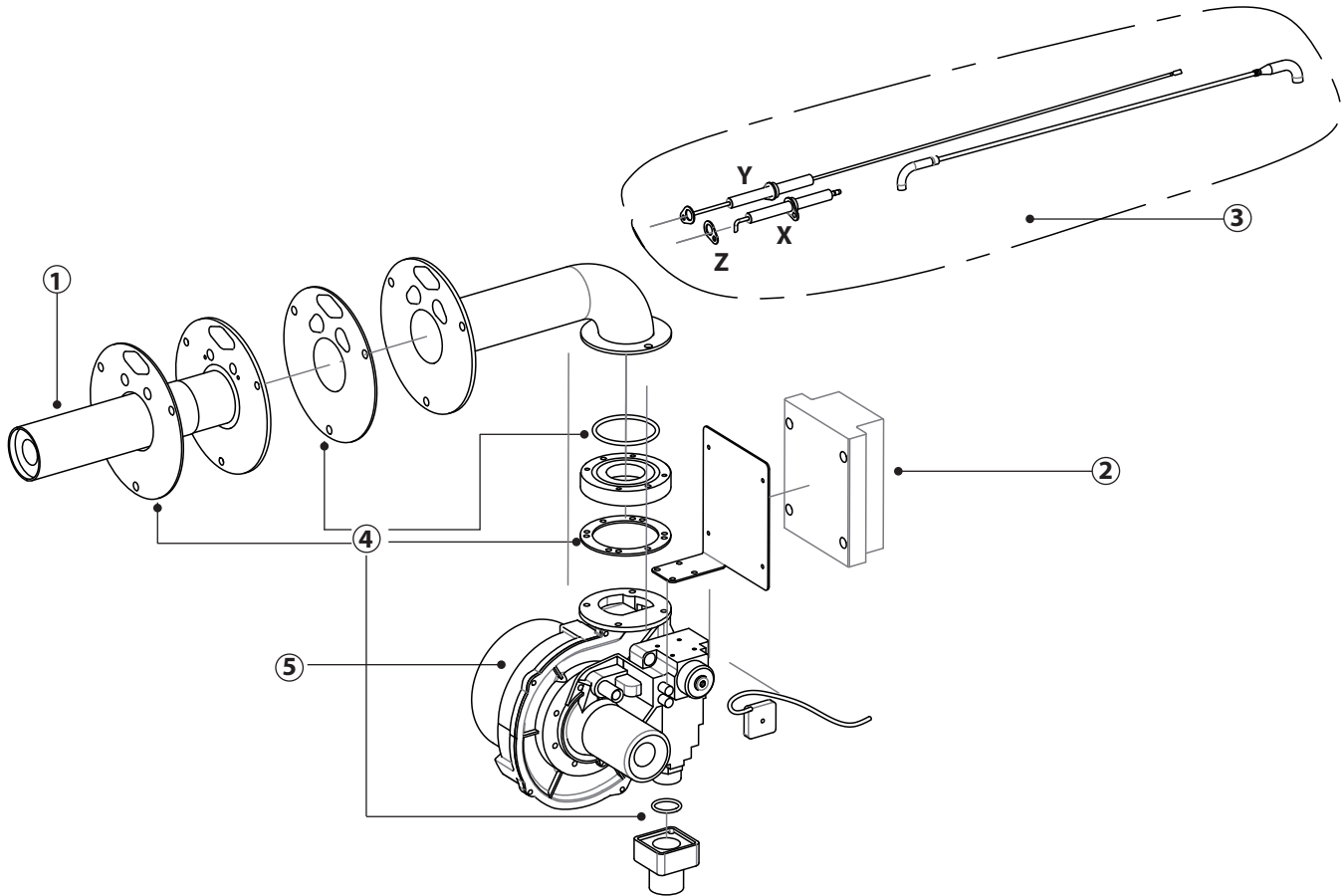


Fig. 1.a

BURNER KIT FOR UG045: UGKBRUC245

The burner kit can be supplied already assembled, tested and calibrated, code UGKBRUC245, complete with all the parts shown on the exploded diagram. It is available some individual components shown in the table 1.a can be supplied.

Position	Description	Code	
1	Combustion head 35kW for UG45	UGKCH00045	
2	Fenwall board 35-605317-221	UGKB10000M	
3	Ignition and survey flame electrodes UG45	UGKFLAM045	
X	Ignition flame electrodes		
Y	Survey flame electrodes		
Z	Gaskets		
4	Gas gasket kit for UG45	UGKGUAG045	Tab. 1.a
5	Fan for UG045	UGKFC00045	

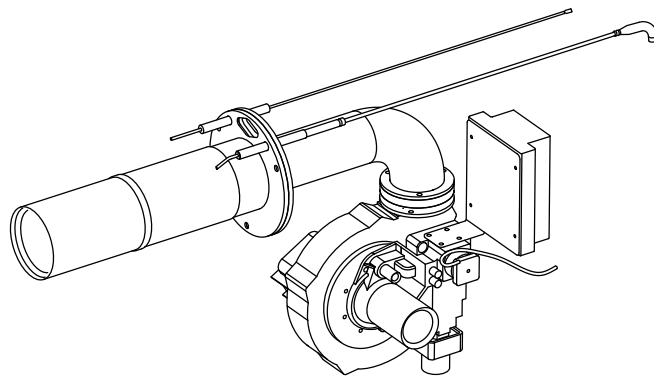


Fig. 1.b

Position	Description	Code	Tab. 1.b
1	Assembled Kit burner UG045	UGKBRUC245	

2. UG045-090

2.1 Complete view

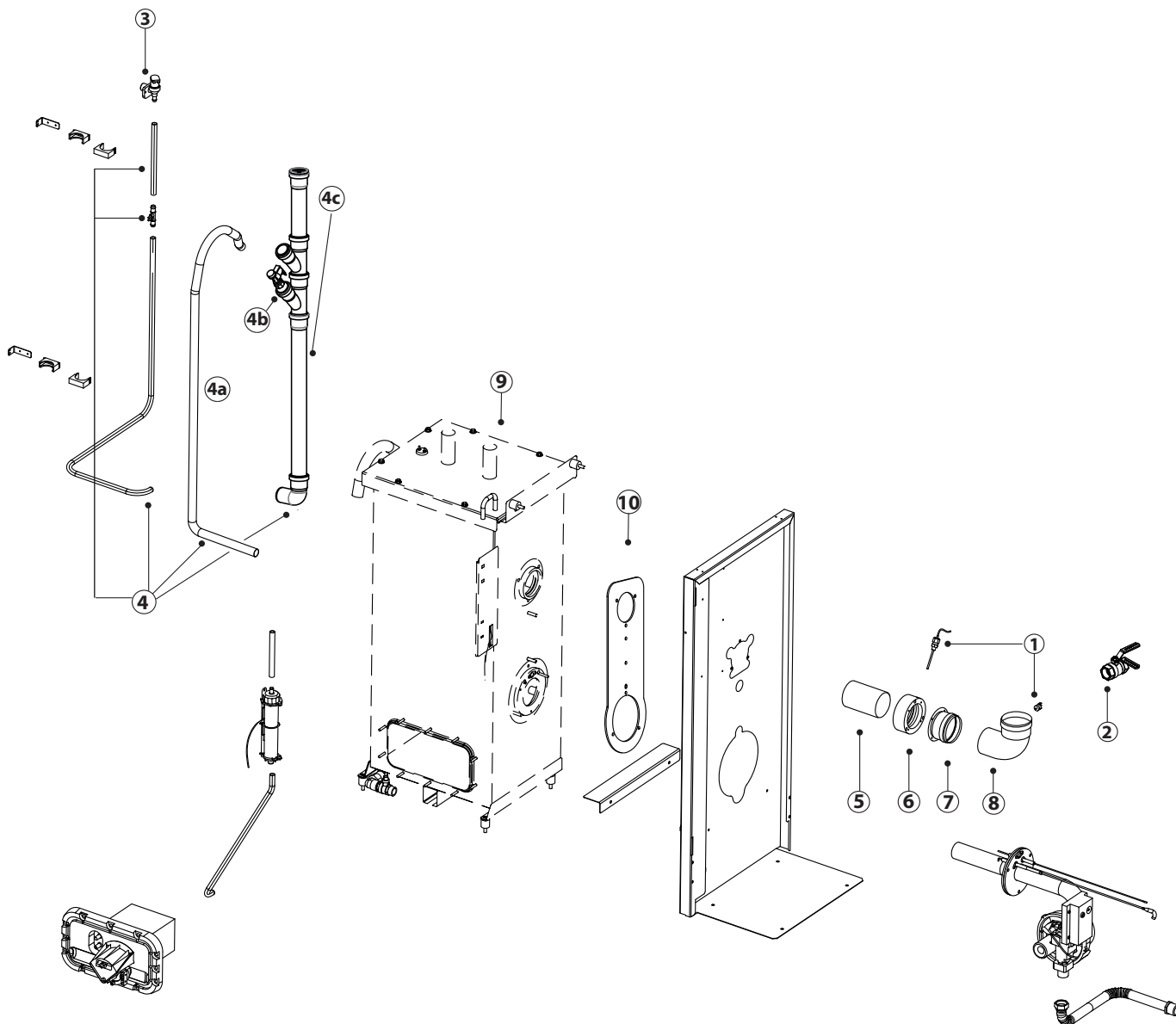


Fig. 2.a

Position	Description	Code
1	NTC + bimetal Thermostat UG045	UGKT000190
2	Tap kit Gas 1" for UG045 and UG090	UGKTAP0090
3	Water fill valve	KITVC00180
4	Drain column kit + tubes	UGKP000003
4a	Drain pump tube	UGKTS000000
4b	EV drain tempering (only UG***HD103 version)	UGKDT000000
4c	Drain column kit	UGKCS000003
5	Flue section Ø 80 mm L = 100 mm	EXHT080100
6	Chimney fastening joint	UGKGF000000
7	Flanged section Ø 80 mm L = 56 mm	EXHL080056
8	90° bend Ø 80 mm R = 0.75	EXHC080080
9	Kit boiler + cover UG45-90	UGKBL00090
10	Kit back plate	UGKCP000000

Tab. 2.a

2.2 Hydraulic part view

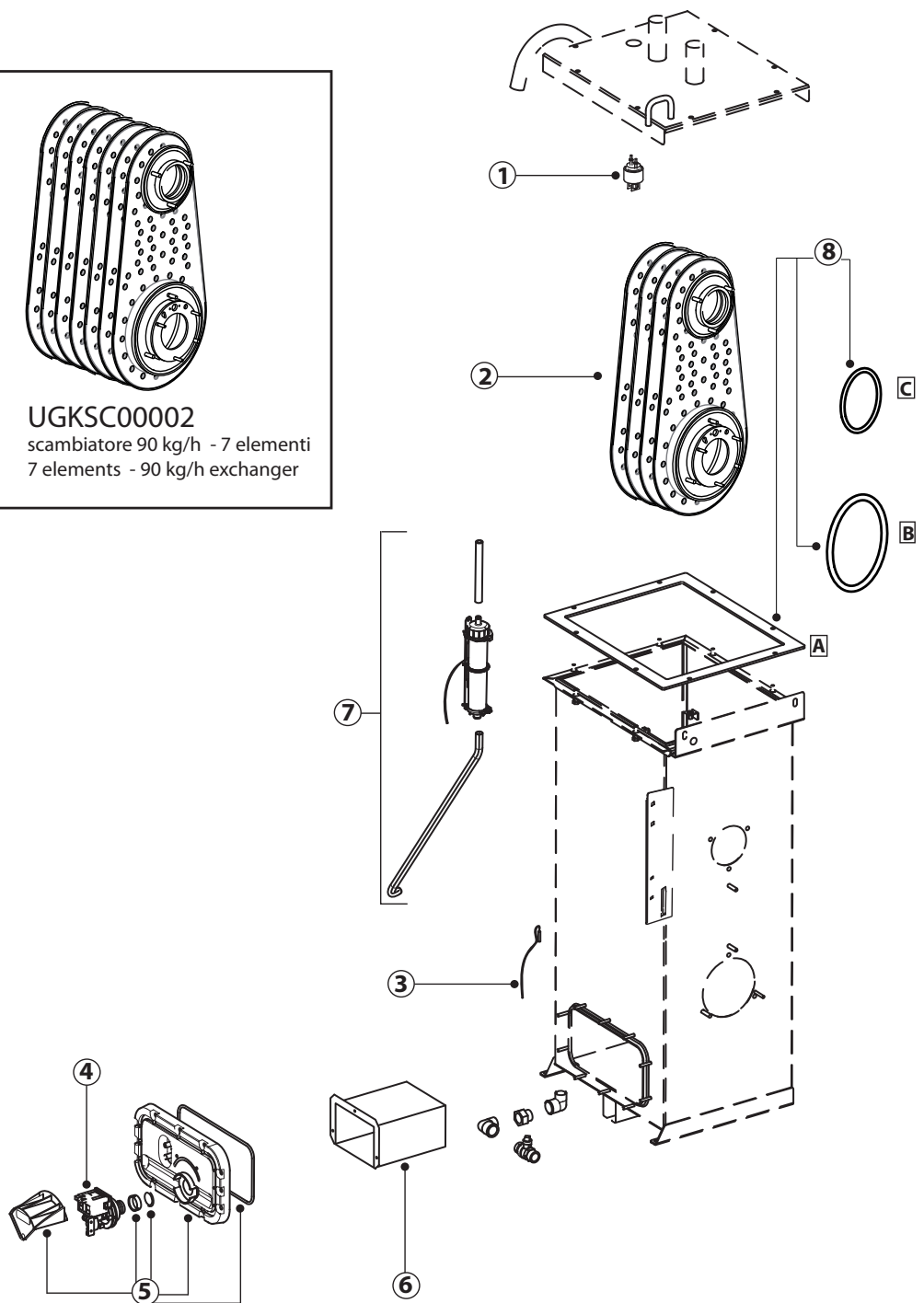
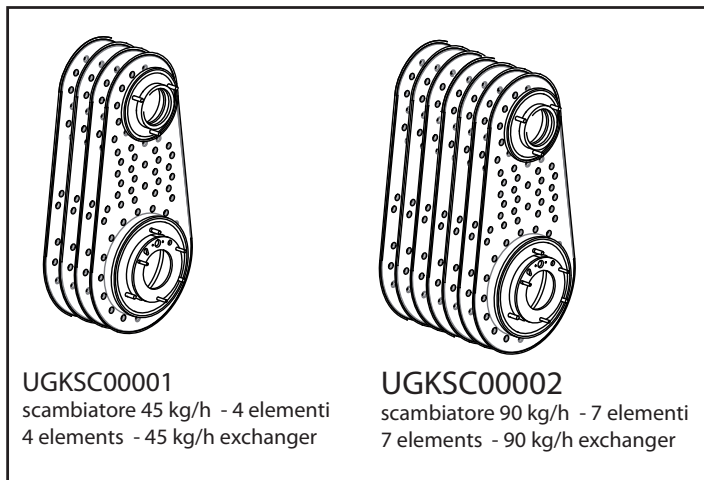


Fig. 2.b

Position	Description	Code
1	Foam sensor assembly kit	URKFS00000
2	Heat exchanger	UGKSC00001 (for UG045) UGKSC00002 (for UG090 and UG180)
3	NTC probe	NTC030HT00
4	Drain pump kit	UGKDP00050 (for UG 50 Hz) UGKDP00060 (for UG 60 Hz)
5	Utility flange assembly	URKFLAN000
6	Utility flange filter	URKF0000XL
7	Level sensor kit	UGKSL00002
8	Hydraulic gasket kit UG045-090	UGKGUAH190

Tab. 2.b

3. UG045-090-180

3.1 Electrical panel

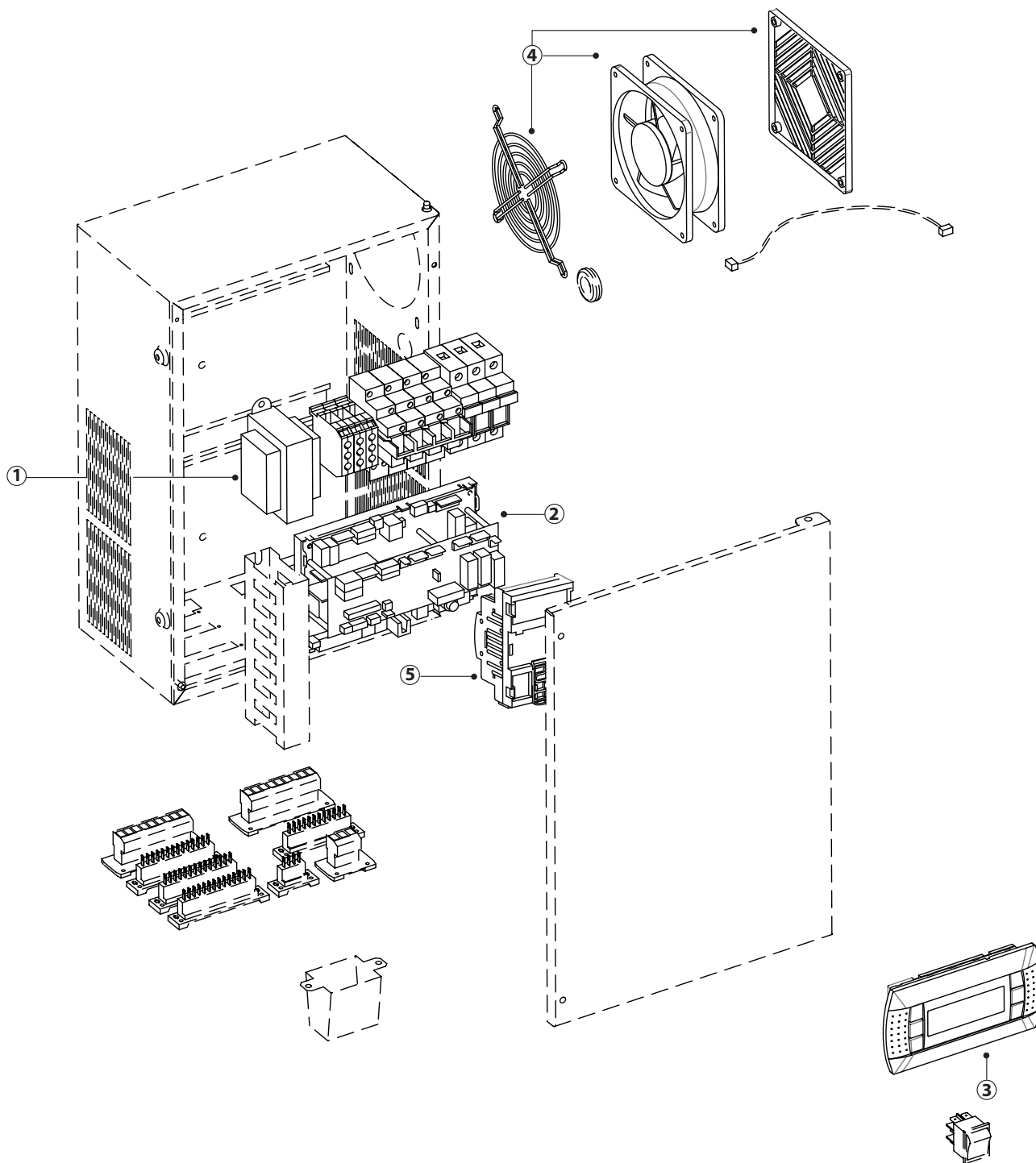


Fig. 3.a

ELECTRICAL PANEL UG045-090-180

The following components numbered in the Fig. 3.a are available for the electrical panel.

Position	Description	Code
1	Transformer	MCKTR00000
2	Main control board for UG045 unit	UGG45D0030
	Main control board for UG090 unit	UGG90D0030
	Main control board for UG180 unit	UGGA8D0030
3	PGD display	PGD1PH0F00
4	Cooling fan kit	UGKVENT001
5	pCOe kit	PCOE00TLN0

Tab. 3.a

3.2 Burner Kit UG090-UG180

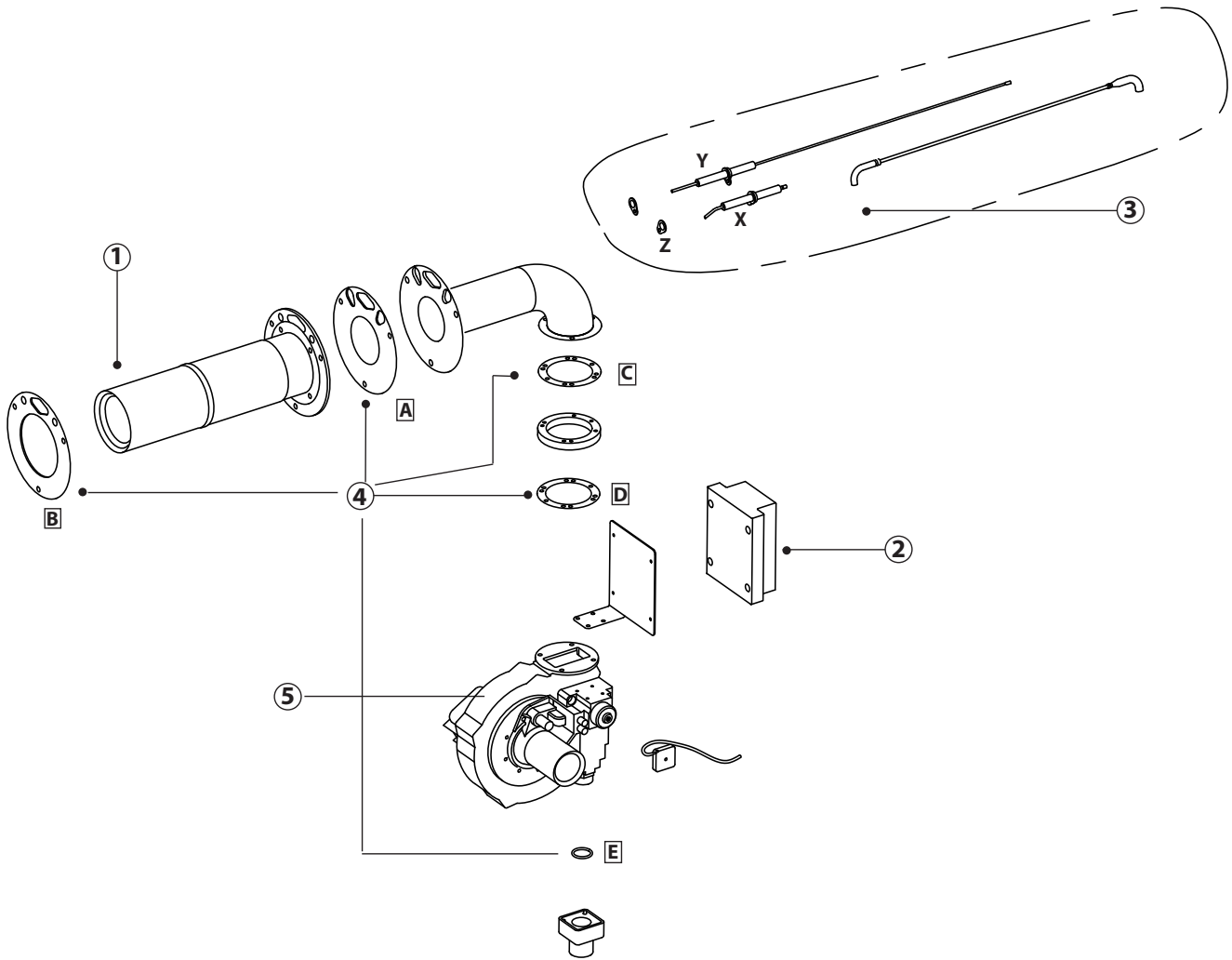


Fig. 3.b

BUNER KIT FOR UG090-180: UGKBRUC290

The burner kit can be supplied already assembled, tested and calibrated code UGKBRUC290, complete with all the parts shown on the exploded diagram. It is available some individual components shown in the table 3.b can be supplied.

Position	Description	Code
1	UG090/180 combustion head	UGKCH00090
2	Fenwall board 35-605317-221	UGKB10000M
3	Ignition and survey flame electrodes	UGKFLAM090
X	Ignition flame electrodes	
Y	Survey flame electrodes	
Z	Gaskets	
4	Gas gasket kit for UG90-180	UGKGUAG090
5	Fan for UG045	UGKFC00090

Tab. 3.b

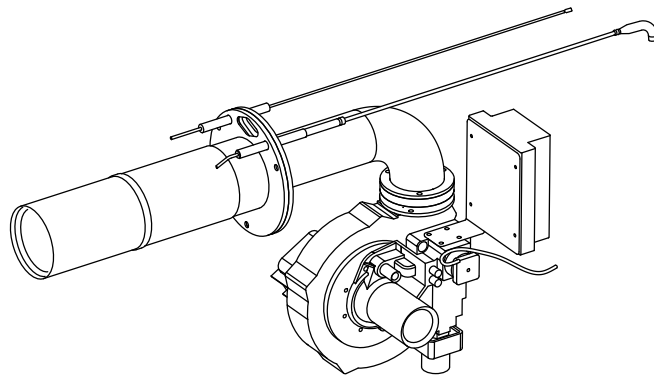


Fig. 3.c

Position	Description	Code
1	Assembled Kit burner UG90-180	UGKBRUC290

Tab. 3.c

4. UG180

4.1 Complete view

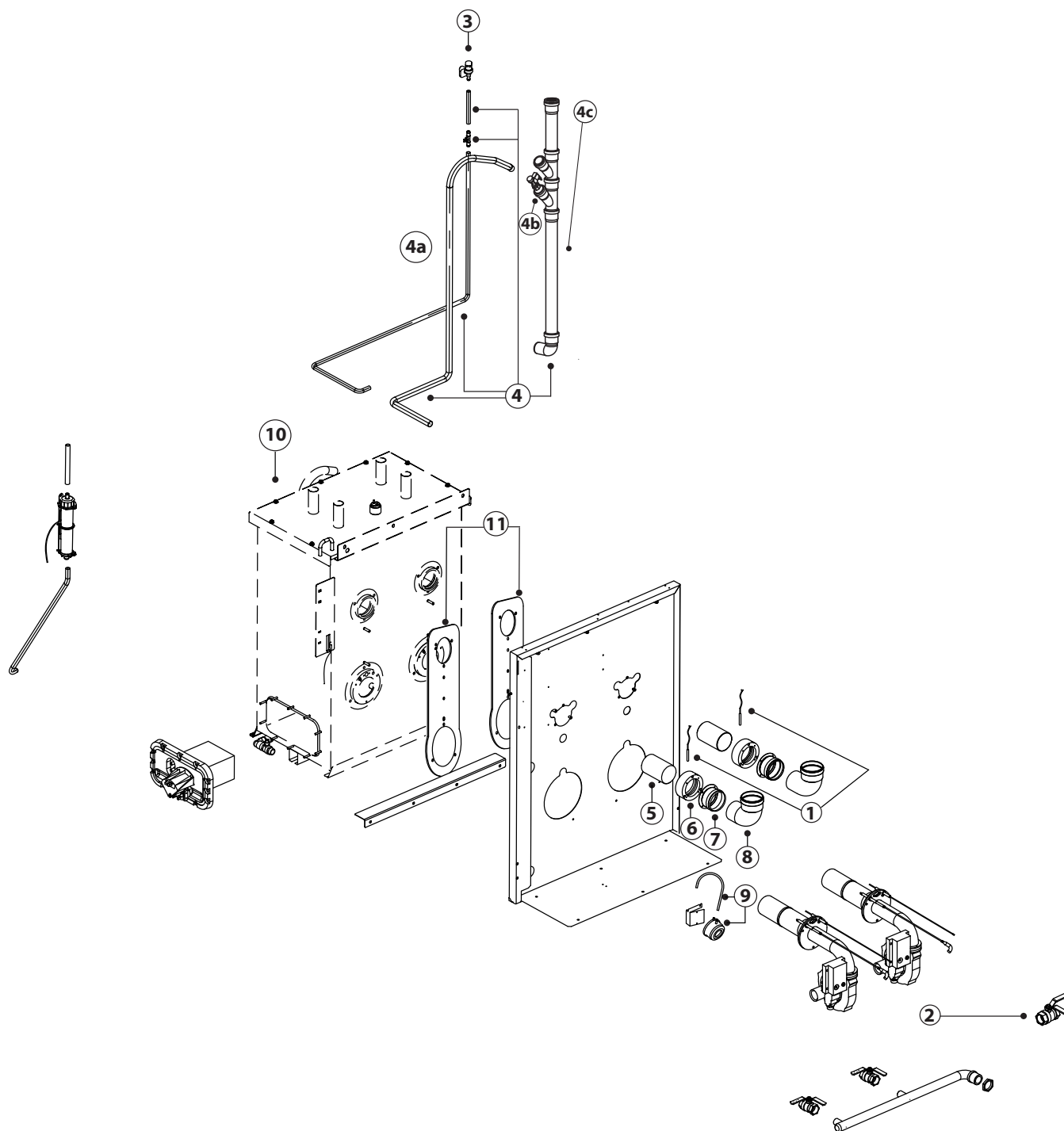


Fig. 4.a

Position	Description	Code
1	NTC kit + bimetal Thermostat UG045-90-180	UGKT000190
2	Tap kit Gas 1" 1/4 for UG180	UGKTAP0180
3	Water fill valve	KITVC00180
4	Drain column kit + tubes	UGKP000003
4a	Drain pump tube	UGKTS00000
4b	EV drain tempering (only UG***HD103 version)	UGKDT00000
4c	Drain column kit	UGKCS00003
5	Flue section Ø 80 mm L = 100 mm	EXHT080100
6	Chimney fastening joint	UGKGF00000
7	Flanged section Ø 80 mm L = 56 mm	EXHL080056
8	90° bend Ø 80 mm R = 0.75	EXHC080080
9	Differential pressure switch kit UG180	UGKPRES180
10	Kit boiler + cover UG180	UGKBL00180
11	Kit back plate (1 pcs.)	UGKCP00000

Tab. 4.a

4.2 Hydraulic part view

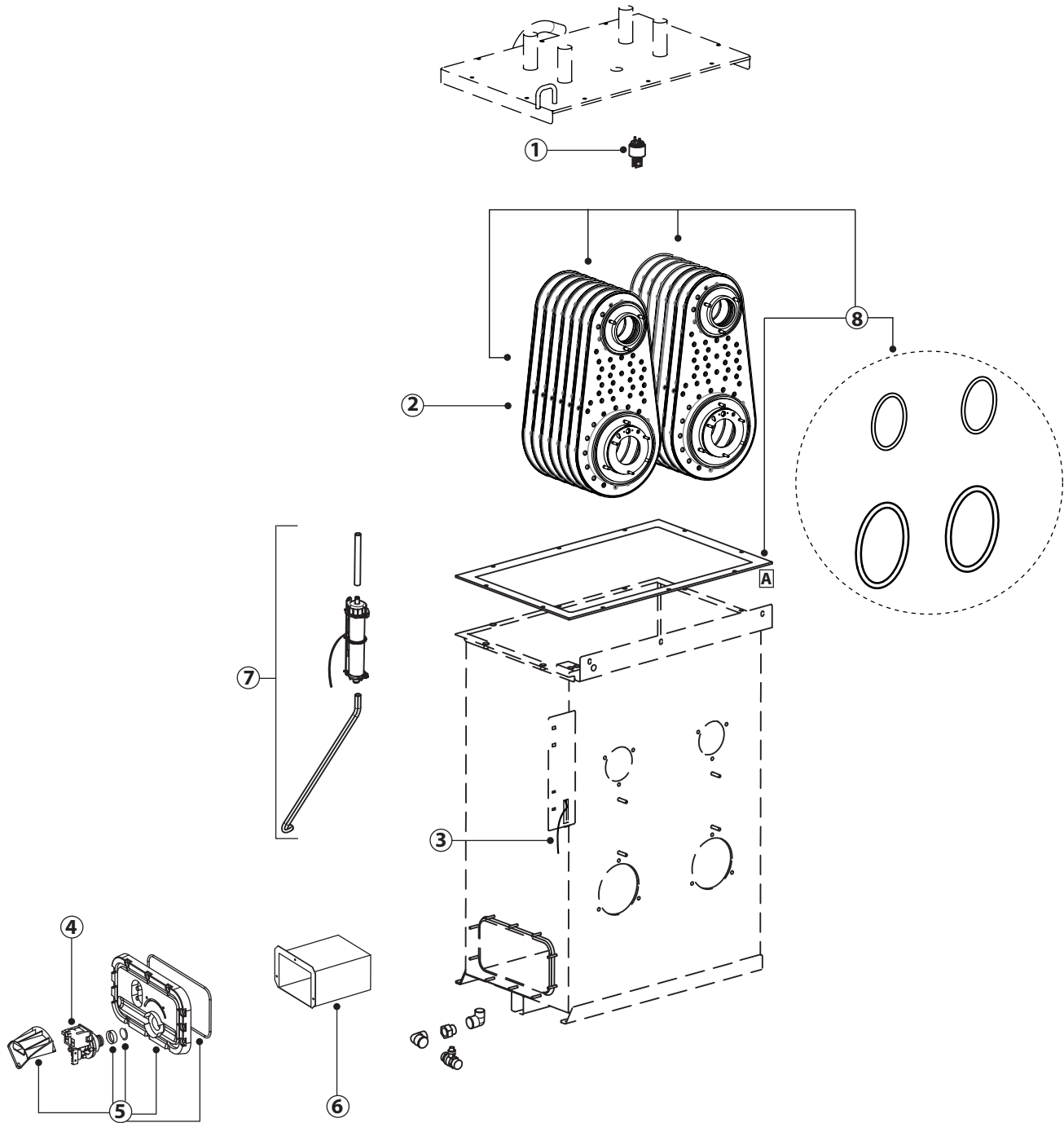


Fig. 4.b

Position	Description	Code
1	Foam sensor assembly kit	URKFS00000
2	Heat exchanger assembly	UGKSC00002
3	NTC probe	NTC030HT00
4	Drain pump kit	UGKDP00050 (for UG 50 Hz) UGKDP00060 (for UG 60 Hz)
5	Utility flange assembly	URKFLAN000
6	Utility flange filter	URKF0000XL
7	Level sensor kit	UGKSL00002
8	Hydraulic gasket kit UG180	UGKGUAH181

Tab. 4.b

5. SPARE PARTS LIST

5.1 Spare parts UG***HD003

Code	Description
UGKBRUC245	Assembled Kit burner UG045HD003 / UG045HD103
UGKCH00045	Combustion head 35kW UG045HD003 / UG045HD103
UGKB10000M	Flame control board Fenwall 35-605317-221
UGKFLAM045	Ignition and survey flame electrodes UG045HD003 / UG045HD103
UGKGUAG045	Gas gasket kit for UG045HD003 / UG045HD103
UGKFC00045	Fan for UG045HD003 / UG045HD103
UGKT000190	NTC kit + bimetal Thermostat UG045HD003 / UG045HD103 - UG090HD003 / UG090HD103 - UG180HD003 / UG180HD103
UGKTAP0090	Tap kit Gas 1" for UG045HD003 / UG045HD103 - UG090HD003 / UG090HD103
KITVC00180	Water fill valve
UGKP000003	Drain column kit + tubes
UGKDT00000	EV drain tempering (only UG***HD103 version)
UGKCS00003	Drain column kit
UGKTS00000	Drain pump tube
URKFS00000	Foam sensor assembly kit
UGKSC00001	Heat exchanger for UG045HD003 / UG045HD103
UGKSC00002	Heat exchanger for UG090HD003 / UG090HD103 - UG180HD003 / UG180HD103
NTC030HT00	Ntc probe
UGKDP00050	50 Hz drain pump kit
UGKDP00060	60 Hz drain pump kit
URKFLAN000	Utility flange assembly
URKF0000XL	Utility flange filter
UGKSL00002	Level sensor kit
UGKGUAH190	Hydraulic gasket kit UG045HD003 / UG045HD103 - UG090HD003 / UG090HD103
UGG45D0030	Main control board for UG045
UGG90D0030	Main control board for UG090
UGGA8D0030	Main control board for UG180
MCKTR00000	Transformer
UGKVENT001	Cooling fan kit
UGKBRUC290	Assembled Kit burner UG090HD003 / UG090HD103 - UG180HD003 / UG180HD103
UGKCH00090	UG090HD003 / UG090HD103 - UG180HD003 / UG180HD103 combustion head
UGKFLAM090	Ignition and survey flame electrodes UG090HD003 / UG090HD103 - UG180HD003 / UG180HD103
UGKGUAG090	UG090HD003 / UG090HD103 - UG180HD003 / UG180HD103 gas gasket kit for
UGKFC00090	Fan kit for UG090HD003 / UG090HD103 - UG180HD003 / UG180HD103
UGKTAP0180	Tap kit Gas 1" for UG180HD003 / UG180HD103
UGKPRE5180	Differential pressure switch kit for UG180HD003 / UG180HD103
UGKGUAH181	Hydraulic gasket kit for UG180HD003 / UG180HD103
PGD1PH0F00	Display PGD
UGKCP00000	Kit back plate UG
UGKGF00000	Chimney fastening joint
UGKBL00090	Kit boiler + cover UG045HD003 / UG045HD103 - UG090HD003 / UG090HD103
UGKBL00180	Kit boiler + cover UG180HD003 / UG180HD103

Tab. 5.a

5.1 Fumisteria

Code	Description
EXHZ080000	Stainless steel flue gas outlet grill, Ø80 mm
EXHP080100	1000 mm extension Ø80 mm
EXHP080500	500 mm extension Ø80 mm
EXHC080080	90° bend Ø80 mm
EXHX080000	Stainless steel intake grill, Ø80 mm
EXHQ080000	Inside/Outside gasket Ø80 mm
EXHNI00125	Tile for sloped roof Ø80 mm
EXHN080000	Flat tile Ø80 mm
EXHS0A0011	Condensate collection section Ø80 mm L= 135mm
EXHD080000	T connection, Ø80 mm
EXHG000000	Plug
EXHDS00000	Condensate drain trap with pipe
EXHW000080	Silicon gasket for flue gas Ø=80mm
EXHL080056	Flue section Ø 80 mm L = 57 mm
EXHT080120	Flue section Ø 80 mm L = 120 mm
EXHI080025	Inspection section Ø 80 mm, L = 135 mm
EXHT080100	Flue section Ø 80 mm L = 100 mm

Tab. 5.b