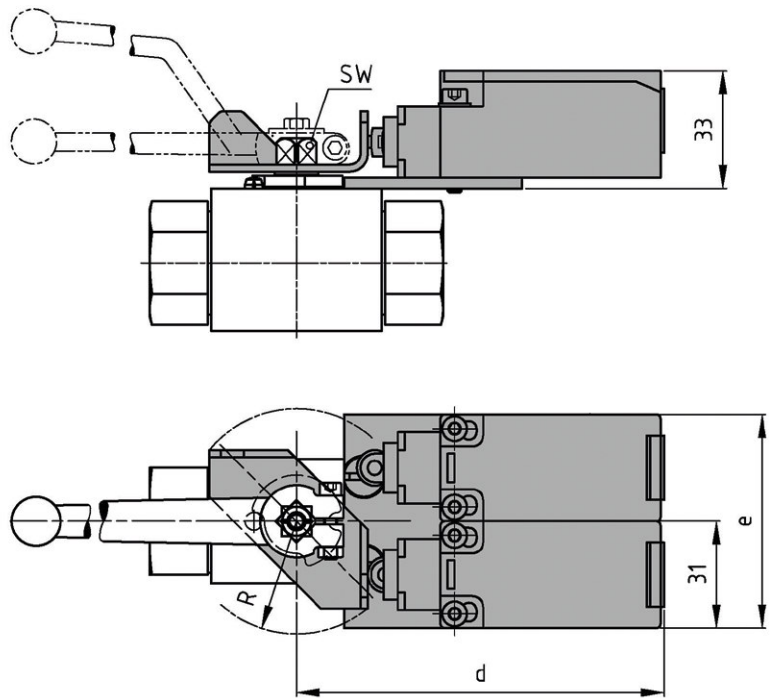
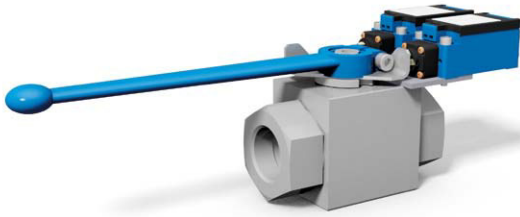


# Assembling set with mechanical limit switches



## Mechanical limit switch properties

- Body material: thermoplastic, glass fiber reinforced
- Protection type: IP65 as per VDE 470T1
- NC/NO contact
- Utilization category AC-15, Ue /Ie 240V/3A (DC usage also possible)
- Cable entry: 1 x M20x1,5
- Ambient air temp.: -30°C / +80°C

DIMENSIONS					ORDER CODE PER MATERIAL	
DN	SW	d	e	R	Steel	
4-8	9	102	60	32	048 21648	
10	9	102	60	32	048 21649	
13	9	102	60	32	048 21650	
16	12	108	73	40	048 21651	
20	14	106	70	37,5	048 21652	
25	14	106	70	37,5	048 21653	
32-50	17	114	85	49	048 21654	

## ORDER EXAMPLE

Mounting set consisting of switch cam, fixing plate with screws and limit switch(es) with screws and washers:

order text	article no.
Limit switch assembling set for ball valve DN 4-8	048 21648

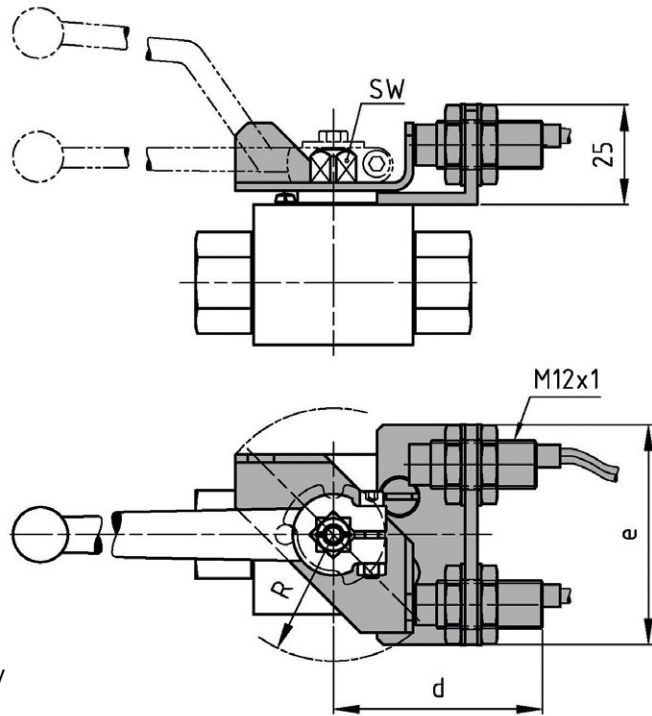
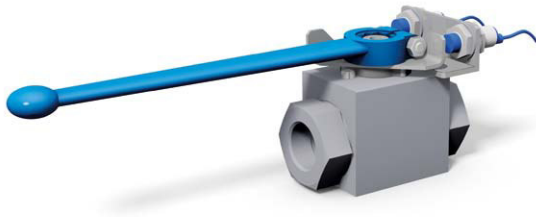
Assembled with ball valves:

ball valve type (ball valve design: see data sheets)	article no.	description
BKH - DN13 - G1/2 - 112A	17253	with limit switch assembling set

## MOUNTING SETS ARE VALID FOR

Type	BKH / BKHP 420	BKH-AS	MKHP420	MKHP-AS	BK3 / BK3-S
Page	14 - 21	34	22 - 28	35	92 - 102

# Assembling set with inductive proximity switches



## Proximity switch properties

- Body material: brass, nickel-plated
- Active surface material: PA 6.6
- Mounting: non-flush
- Proximity sensor as per NAMUR (DIN EN 60947-5-6)
- Rated operation distance: 4mm  
(switching point 1,5 mA @  $U_n = 8V$  and  $R_i = 1\text{ k}\Omega$ )
- Protection type: IP67
- Rated voltage: DC 8 V / Rated operational voltage: DC 5 ... 25 V
- Ambient air temp.: -25°C / +70°C

DIMENSIONS					ORDER CODE PER MATERIAL	
DN	SW	d	e	R	Steel	
4-8	9	54	55	32	048 21921	
10	9	54	55	32	048 21922	
13	9	54	55	32	048 21923	
16	12	60	68	40	048 21924	
20	14	58	64	37,5	048 21925	
25	14	58	64	37,5	048 21926	
32-50	17	66	80	49	048 21927	

## ORDER EXAMPLE

Mounting set consisting of switch cam, shackle with screws and limit switch(es):

order text	article no.
Proximity switch assembling set for ball valve DN 4-8	048 21921

Assembled with ball valves:

ball valve type (ball valve design: see data sheets)	article no.	description
BKH - DN13 - G1/2 - 112A	17253	with proximity switch assembling set

## MOUNTING SETS ARE VALID FOR

Type	BKH / BKHP 420	BKH-AS	MKHP420	MKHP-AS	BK3 / BK3-S
Page	14 - 21	34	22 - 28	35	92 - 102