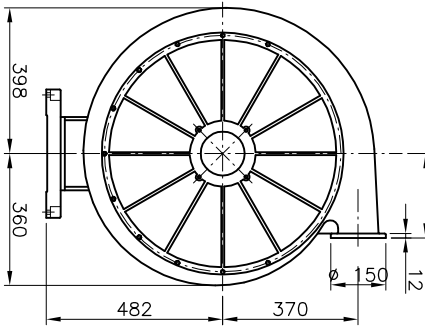
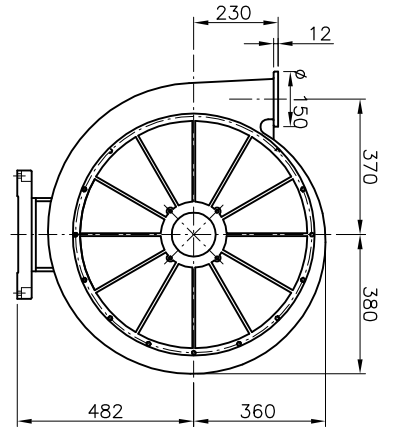


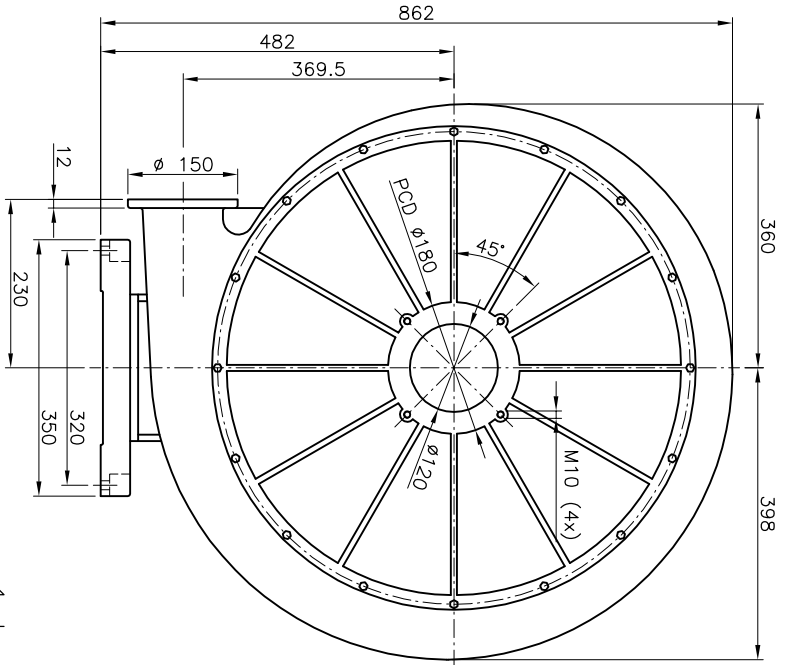
4L



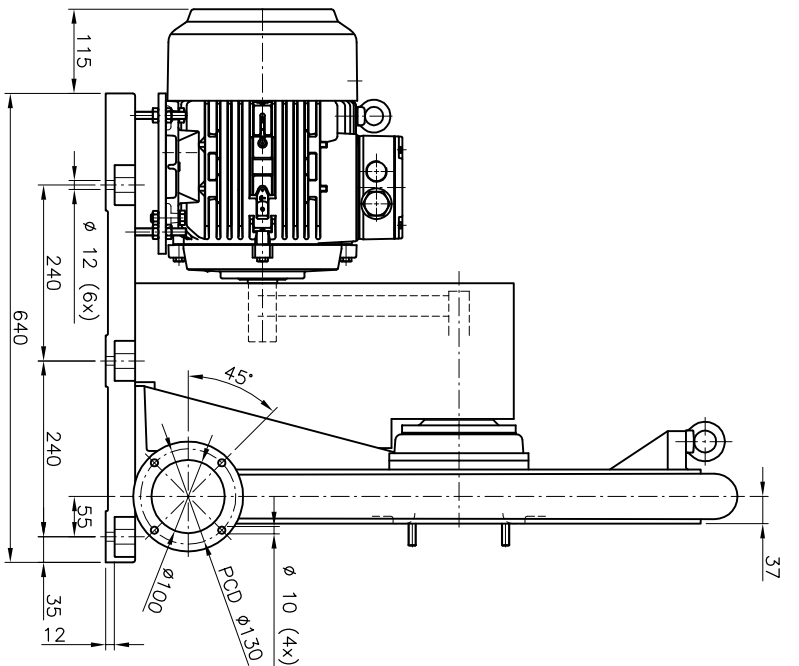
3L



2L



1L



Fonttype : 54E625-140M/S2T0
 Part n.r. : 700.934
 Fanspeed : approx. 3960 rpm
 Fan EX class : EX II 3G e T3 in/out.
 Motor frame size : IEC132S-B3
 Motor power : 4,6 kW
 Motor supply : 400V Delta conn. - 50Hz -3ph.
 Motor EX class : ATEX EX II 2G EExe-II-T3
 Protection : IP 55 - Cl.F



EMMEN-HOLLAND

COMBIMAC BV

Outline drawing of COMBIMAC fan.
 Type 54E625-140M/S2T0 - 700.934

SCALE 1:5

DIMS IN mm

DRAWN 091021 HWK CHECKED

B.004.250

ISSUE	QTY	DATE	DESCRIPTION	NAME
PROJECTION			ROUNDSNESS SYMBOLS GENERAL TOLERANCES GEOMETRIC TOLERANCE ACC. ISO 1302 ACC. ISO 2768-M SYMBOLS ACC. ISO 1101	