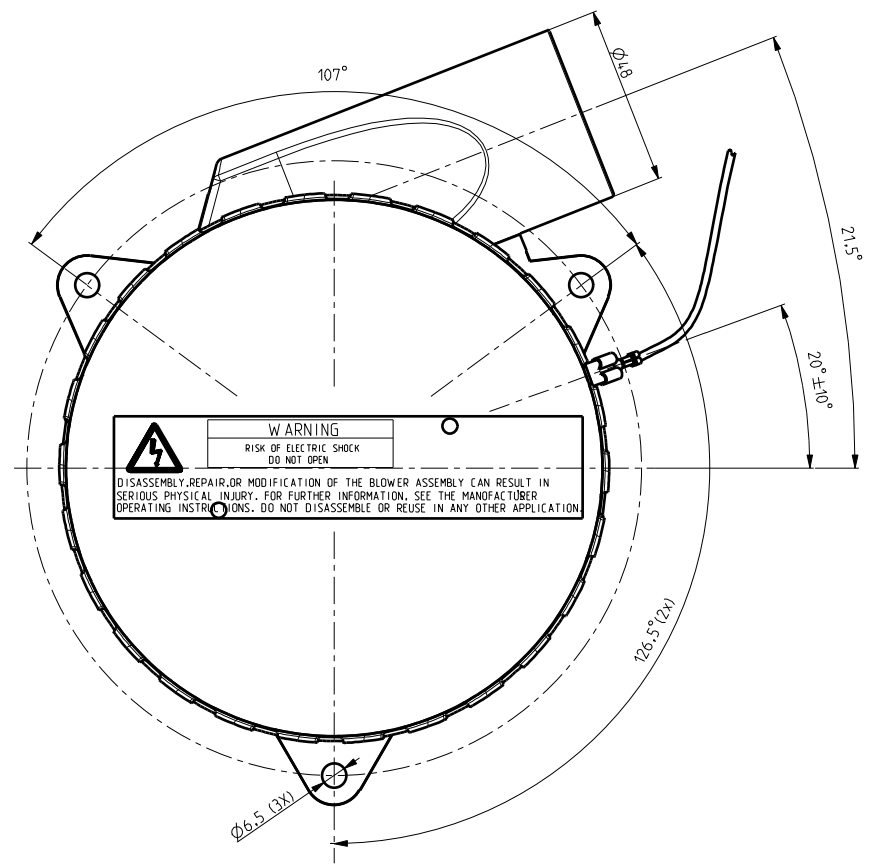
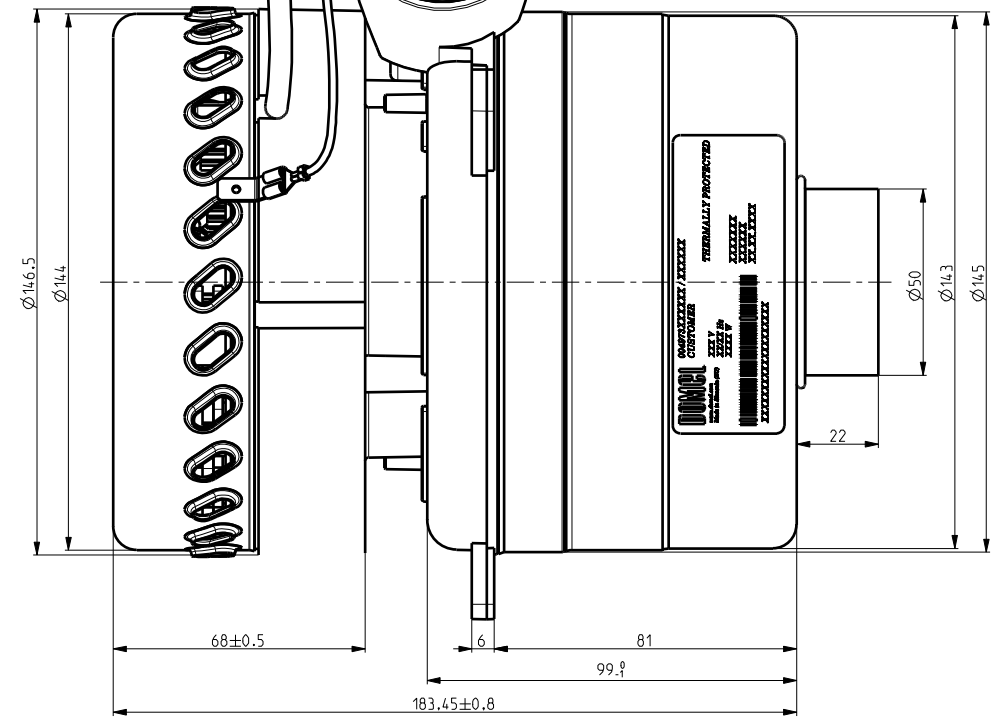
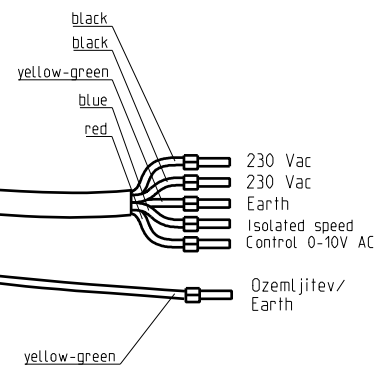


NAPETOST	230 V
VOLTAGE	230 V
FREKVENCA	50 Hz
FREQUENCY	50 Hz
NAZIVNA MOČ	450 W
NOMINAL POWER	450 W



Risba velja za puhalo z id. 271917.

Opombe / Note :  
Dobaviti brez konektorja!  
Deliver without connector!

OSNOVNE ZNAČILNOSTI		TYPICAL CHARACTERISTICS	
IZVEDBA	TROSTOPENJSKA	FAN SYSTEM	THREE STAGE
VLEŽAJENJE	DVA KROGLICNA LEZAJA	BEARINGS	DUAL BALL
VRSTA PRETOKA	MIMO MOTORJA	DISCHARGE	BY PASS
SMER VRTENJA	LEVA	DIRECTION OF ROTATION	CCW

Tolerance odprilni mer		Površinska bravavost		Merilo Scale		Original format ISO 5457 - A2	
Tolerances without individual indications		Surface finishing		3:10			
ISO 2768 - m				Gradivo / Material			
Datum/Date		Ime/Name		Naziv Title			
izdelal Designed		03.07.09		Bojan Pajk		<b>PUHALO BLOWER</b>	
Prep. verified		03.11.09		J.Rihtaršič			
Koda Code		497.3.265-446		List Sheet		3+	
B1 9185 03.11.09 B. Pajk		AD 9045 06.07.09 B. Pajk		<b>DOMEL</b>		Page 1	
Drm. Mark		St. obvestila No. of notice		Datum Date		Ime Name	
				03.11.09		Bojan Pajk	
Drovi 21, 4220 Zelenci, Slovenija							
4973265446_SESALNA_ENOT4							

Izdelano s CAD/Prilagodilnik - notno spreminjanje ni dovoljeno! Vsek prenos, tiskanje, prenos, tiskanje ali uporaba v nedovoljeni namene ni dovoljena po zakonu o avtorskih pravicah.  
 Made with CAD/Prilagodilnik - changing is not allowed! Any unauthorized copying or unauthorized distribution of the information contained herein is prohibited.