

# Linear measuring technology

## Length measuring kits measuring wheels Different surfaces, different circumferences

Diamond knurl **a** = 217 / 517 / 617 / 717

Tufted rubber **a** = 267 / 567 / 767



Plastic corrugated **a** = 297 / 597 / 797

Plastic smooth **a** = 247 / 547 / 747

Measuring wheels for measuring the length of products in movement, e.g. in the paper, metal, textile, wood or plastic industry.

Different wheel surfaces to meet the requirements of the various surfaces of the product to be measured – different circumferences, designed for use with Kübler encoders, available for metric and imperial systems.

### Selection of the measuring wheel profile according to the surface of the measured material

Surface of the measured material	Recommended profile no.
Cardboard	1, 2, 3, 4, 5
Wood	1, 2, 3, 4, 5
Textile	1, 2, 3, 4
Plastic (e.g. PVC, PE, ...)	2, 3, 4, 5
Paper	2, 3, 4, 5
Wire, greased metals, steel profiles, leather	2
Carpet, cables, nonwoven	3
Greased metals, glass, floor coverings	4
Painted surfaces	2, 4
Rubber, soft plastic	1

Please note:

If a measuring wheel is mounted directly on the shaft of a rotary encoder, the pressure force between the measuring wheel and measured material should not exceed the radial shaft load listed in the data sheet of the encoder.

In addition, the measuring wheels can only be used for in-house purposes which are not subject to the stipulations of the German calibration code.

Max. lateral run-out: 0.2 mm

Max. radial run-out: 0.2 mm

### Order code Measuring wheel

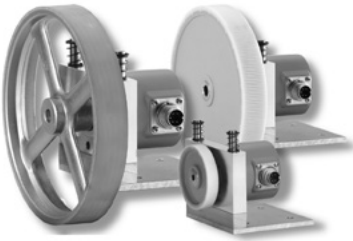

8.0000 . 3 XXX . 00 XX  
a b

Measuring wheel Circumference / ø / width	Profile measuring wheels (s. above)	Coating	Coating hardness Shore A	Wheel no. <b>a</b>	Weight	Standard bore <b>b</b> <sup>1)</sup>	Material	Working temperature
200 mm ±0.2 / Ø 63.7 mm / 12 mm [7.87" / ø 2.51" / 0.47"]	1	diamond knurl (aluminum)		217	60 g [2.12 oz]	06 = 6 mm [0.24"]	aluminum	-30°C ... +80°C [-22°F ... +176°F]
	2	plastic (polyurethane) smooth	90	247	60 g [2.12 oz]			
	3	tufted rubber (polyurethane)	60	267	60 g [2.12 oz]			
	4	plastic (polyurethane) corrugated	90	297	60 g [2.12 oz]			
500 mm ±1.0 / Ø 159.2 mm / 25 mm [19.69" / ø 6.27" / 0.98"]	1	diamond knurl (aluminum)		517	775 g [27.34 oz]	10 = 10 mm [0.39"]	aluminum	-30°C ... +80°C [-22°F ... +176°F]
	2	plastic (polyurethane) smooth	90	547	700 g [24.69 oz]			
	3	tufted rubber (polyurethane)	60	567	700 g [24.69 oz]			
	4	plastic (polyurethane) corrugated	90	597	700 g [24.69 oz]			
6" (152.4 mm ±0.2) / Ø 48.38 mm / 12 mm [6" / Ø 1.9" / 0.47"]	1	diamond knurl (aluminum)		617	40 g [1.41 oz]	06 = 6 mm [0.24"]	aluminum	-30°C ... +80°C [-22°F ... +176°F]
12" (304.8 mm ±0.2) / Ø 97.02 mm / 12 mm [12" / Ø 3.82" / 0.47"]	1	diamond knurl (aluminum)		717	115 g [4.06 oz]	10 = 10 mm [0.39"]	aluminum	-30°C ... +80°C [-22°F ... +176°F]
	2	plastic (polyurethane) smooth	90	747	115 g [4.06 oz]			
	3	tufted rubber (polyurethane)	60	767	110 g [3.88 oz]			
	4	plastic (polyurethane) corrugated	90	797	115 g [4.06 oz]			
12" (304.8 mm ±0.2) / Ø 97.02 mm / 10 mm [12" / Ø 3.82" / 0.24"]	5	natural rubber (NR) smooth		751	100 g [3.53 oz]	10 = 10 mm [0.39"]	aluminum	-30°C ... +80°C [-22°F ... +176°F]

Very easily combinable with Kübler Sendix encoders using suitable brackets. The brackets are equipped with spring elements allowing compensating for unevenness and assembly tolerances in the application.

1) Other bore diameters on request

# Linear measuring technology

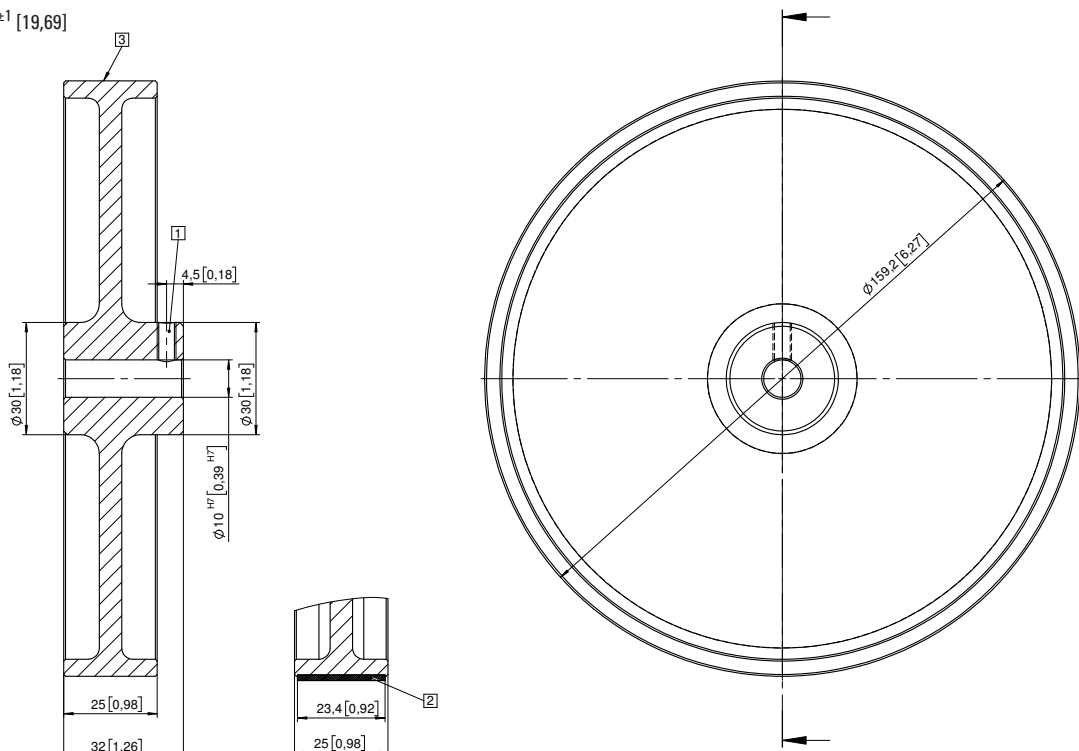
Length measuring kits measuring wheels		Different surfaces, different circumferences
Holding device for encoders		Order no.
Flexible holding device for encoders		8.0010.7000.0004
		
Spring encoder arm		8.0010.7000.0010
		

## Dimensions

Dimensions in mm [inch]

### Measuring wheel no. 5XX

- 1 screw M5x6 ISO4029
- 2 with coating
- 3 circumference 500 mm  $\pm 1$  [19,69]



# Linear measuring technology

## Length measuring kits measuring wheels

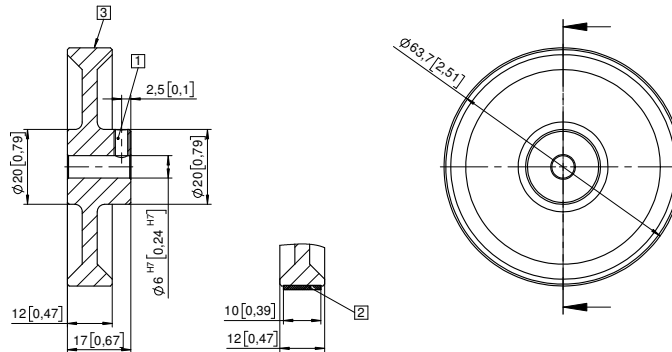
## Different surfaces, different circumferences

### Dimensions

Dimensions in mm [inch]

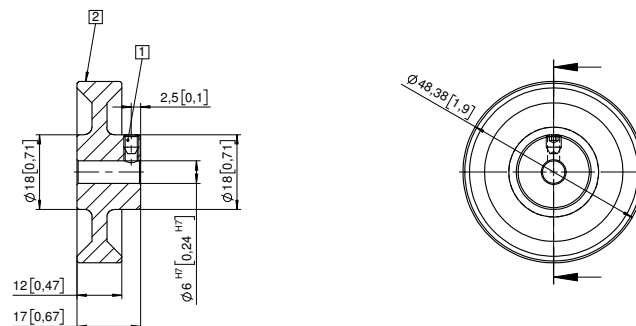
#### Measuring wheel no. 2XX

- 1 screw M4x6 ISO4029
- 2 with coating
- 3 circumference 200 mm  $\pm 0,2$  [7.87]



#### Measuring wheel no. 6XX

- 1 screw M4x6 ISO4029
- 2 diamond knurl, circumference 152.4 mm  $\pm 0,2$  [6.0]



#### Measuring wheel no. 7XX

- 1 screw M5x6 ISO4029
- 2 with coating
- 3 circumference 304.8 mm  $\pm 0,2$  [11.81]

