

The copyright to this drawing belongs to us. No duplication or transfer to, providing access to or communicating to any third parties is allowed of its contents or excerpts thereof. This drawing may not be used without our approval for any purpose other than that for which it has been entrusted to the recipient. Any non-compliance shall obligate the violator to compensate for damages. In case any patent is issued or a utility model is registered, or in case of any other industrial property rights, all such rights must be reserved for us.

BEDIA Motorentechnik GmbH & Co.KG,
Altdorf bei Nürnberg

Das Urheberrecht an dieser Zeichnung gehört uns. Vervielfältigung, Überlassung, Zugänglichkeit oder Mitteilung des Inhalts, auch auszugsweise, an Dritte ist nicht gestattet. Die Zeichnung darf ohne unsere Zustimmung, zu einem anderen Zweck als sie dem Empfänger anvertraut wird, nicht benutzt werden. Zuwiderhandlung verpflichtet zu Schadensersatz. Alle Rechte, für den Fall einer Patenterteilung, Gebrauchsmusterteilung oder anderer Schutzrechte, sind uns vorbehalten.

Technical data

Medium	water, coolant
Function	maximum - operating current (oc)
Operating voltage	12 / 24 V (-25% / +50%) (9 - 36 VDC)
Current consumption	< 8 mA
Output	low side switch ≤ 1 A over the whole temperature range short-circuit and overload protected over the ambient temperature range. At inductive loads freewheeling diode e.g. 1N4007, has to be mounted at the load.
Mounting thread	M18x1,5
Function control	0 seconds ±5%
Fault indication delay	7 seconds ±5%
Connection	connector fine thread 5/8-24 UNEF - 2A
Housing material	X5CrNi18-10 EN 10088-3:1.4301 capacitive connected to ground
Probe coating	Tefzel® ETFE
Probe protection	© IP6K7 according to ISO 20653 with mounted mating connector
Weight	approx. 95 g
Marking	manufacturer; type; manufacturer-no.; customer-part-no.; SN; year / week; approvals
Switch point hysteresis	< 3 mm
Medium temperature	-40°C to +125°C (-40°F to +257°F)
Ambient temperature	-40°C to +125°C (-40°F to +257°F)
Storage temperature	-50°C to +125°C (-58°F to +257°F)
Mounting position	any
Reverse polarity protection	inbuilt between positive and negative terminal

Caution !!

Do not connect negative potential to signal terminal of the sensor and positive potential to negative terminal of the sensor.

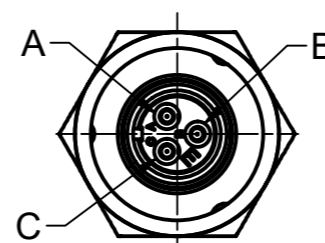
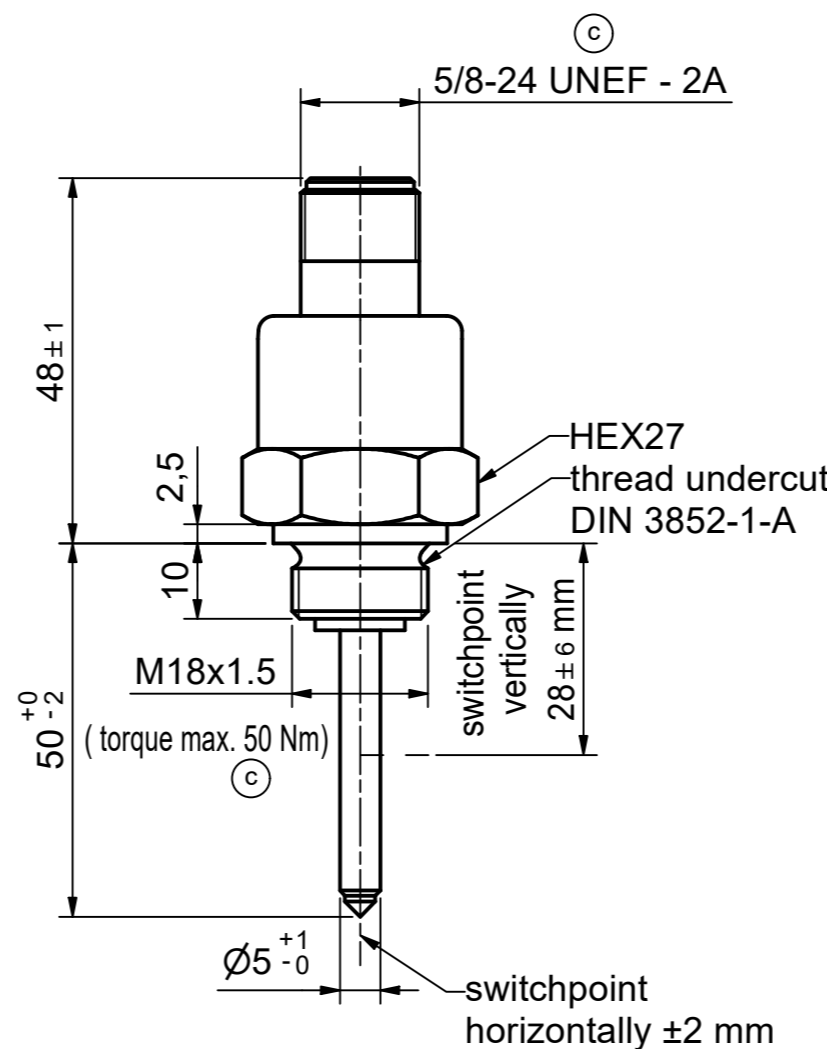
Approvals	ABS, BV, CCS, DNV, KR, LR, NKK, RINA, RMRS
Customs tariff number	90261029

Environmental simulations

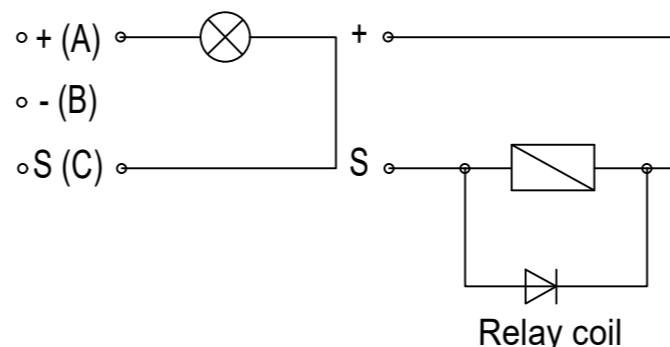
Vibration	ISO 16750-3 10 Hz - 2000 Hz 20 g
Free Fall	IEC 16750
Mechanical Shock	DIN EN 60068-2-27 100 g / 11 ms
Dry Cold	DIN EN 60068-2-1; -40°C / 24 h (-40°F / 24 h)
Dry Heat	DIN EN 60068-2-2; +125°C / 96 h (+257°F / 96 h)
Temperature cycling	DIN EN 60068-2-14
Damp Heat	DIN EN 60068-2-78
Damp Heat, cyclic	DIN EN 60068-2-30
Salt spray	DIN EN 60068-2-52
Flame retardant	DIN 75 200
Pressure resistance	2,5 MPa (25 bar / 362,6 psi) (25°C / 77°F / 1 h)

EMC

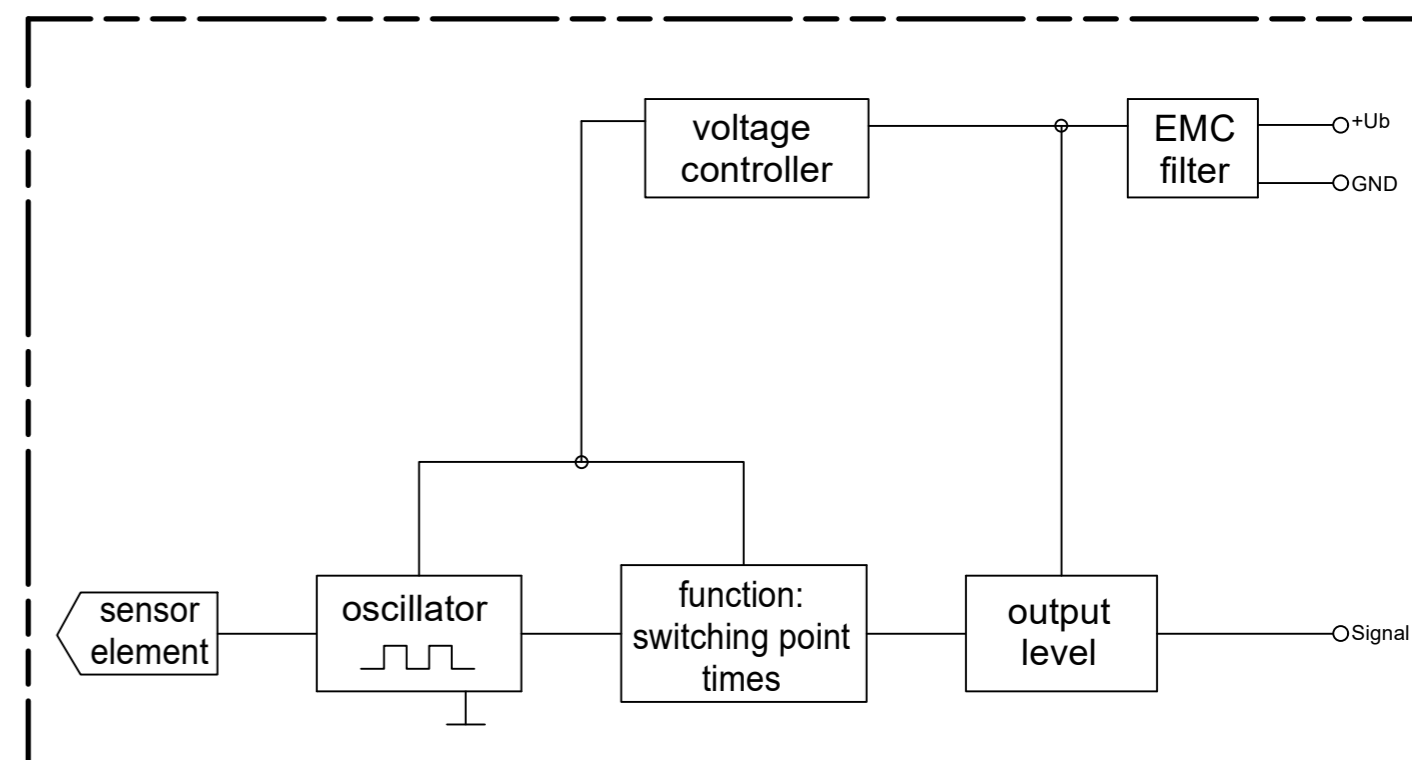
Conducted emission from the power port	CISPR 16 10 kHz - 30 MHz
Electric field radiated emissions	CISPR 16 150 kHz - 6 GHz
RF electromagnetic fields	EN 61000-4-3 1 MHz - 6 GHz; 100 V / m
Conducted interference	EN 61000-4-6 150 kHz - 80 MHz; 10 V
Conducted interference	IEC 60533 50 Hz - 10 kHz; 3 V / 0,5 V
ESD	EN 61000-4-2 ±8 kV Contact / Air discharge
Burst	EN 61000-4-4 ±2 kV DC power port / signal lines
Surge	EN 61000-4-5 ±1 kV line <-> ground ±0,5 kV line <-> line
High voltage	IEC 60092-504 550 V
Power supply variations and interruptions	EN 61000-4-11 Ub +50% / -25%



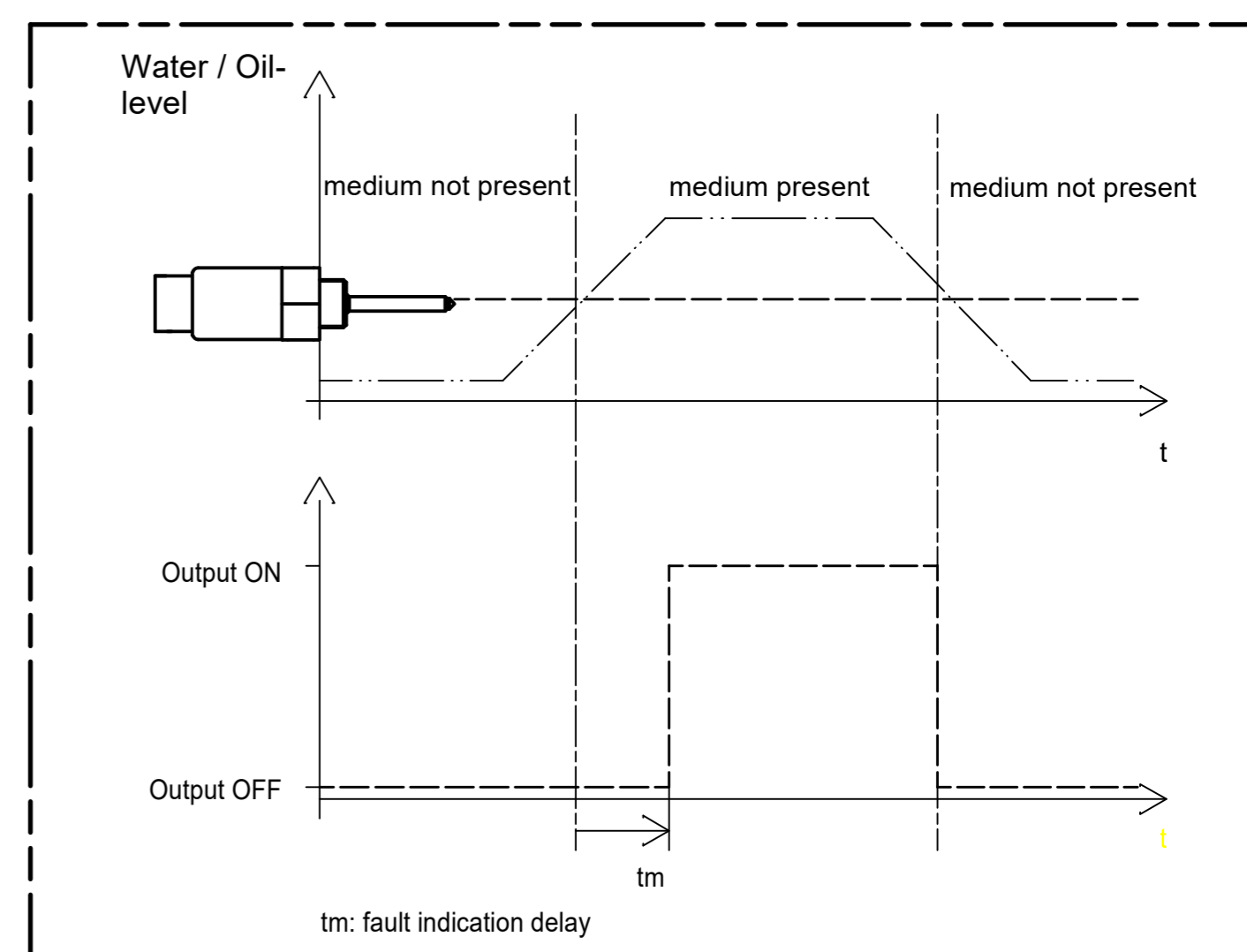
A = positive (+)
B = negative (-)
C = signal (S)



Block diagram



Functional diagram for MAXIMUM Probes



Zul. Abweichung / admissible tolerance		Oberfläche / surface		Maßstab / scale	1 : 1	Sprache / language	ENU	Blatt sheet	1 / 1
ISO 2768-mK		-							
Erstellt / created by		Datum / date		Name / name					
04.02.2010		MoeMi		Benennung / description					
Gepüft / checked by		07.08.2008		StaRo					
Format / Size		A2		Maßeinheit / dimension unit in [mm]					
26.01.23		MoeMi/KoelA		BEDIA Zeichnungsnummer / drawing number 500003					
c		7A:2021-0046; 7A:2022-0031; 2 GHz > 6 GHz; year removed; dv.							
b		customer-part-no.							
a		revised							
Zust./rev.		Änderung/modification		Datum/date		Name/Gepüft checked by		Zng. Art/ draw type	
								DRC	