



DTR13 Radiation Shield

Features

- Fiberglass-filled polyester
- UV-proof
- Excellent ventilation
- Water-repellent

Vaisala DTR13 and DTR15 radiation shields are designed for protecting probes and sensors against solar radiation and rain.

DTR13 Radiation Shield

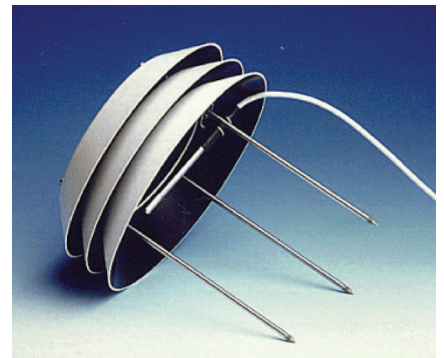
The naturally ventilated maintenance-free DTR13 provides protection from scattered as well as direct solar radiation and rain. The material is fiberglass-filled polyester designed to offer excellent thermal characteristics and a durable UV-proof construction. The outer surface is painted white to reflect radiation while the inside is black to absorb accumulated heat.

The design of DTR13 enables easy installation and mounting. DTR13 can be used with Vaisala HMP155 Temperature & Humidity Probe, DTS12A Air Temperature

Probe, and also environmental sensors by other manufacturers. The radiation shield is tested to withstand vibration according to IEC 6-2 (Fc, sinusoidal vibration).

DTR15 Ground Radiation Shield

DTR15 is designed to reflect direct solar radiation by means of its highly reflective white surface. It is used to protect the DTS12G Grass/Soil Temperature Probe from solar radiation and rain. The shield is fastened to its location by inserting its three stainless steel spikes into the ground.



DTR15 Ground Radiation Shield

DTR13 and DTR15 Technical Data

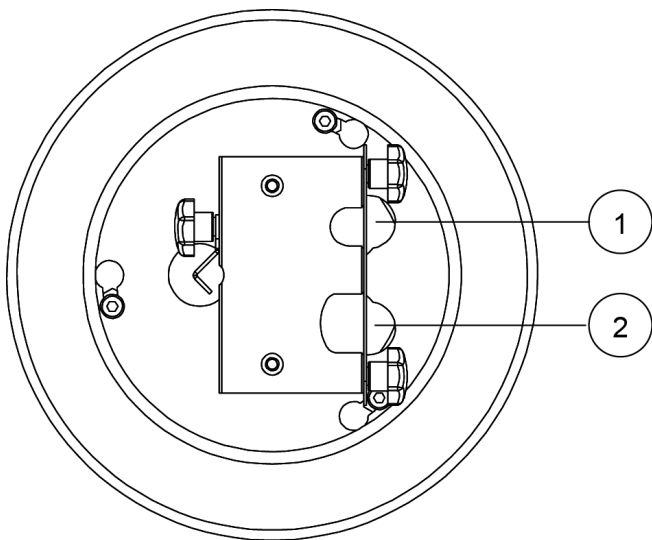
DTR13 Radiation Shield Dimensions

Outer diameter	220 mm (8.7 in)
Outer height	300 mm (11.81 in)
Inner diameter	110 mm (4.33 in)
Inner height	223 mm (8.78 in)
Weight	1.9 kg (4.2 lb)

DTR13 Installation

With screws to sensor support arm: square tube, 40 mm (1.57 in)

With installation clamp (part number 16215) to round tube



Bottom of DTR13

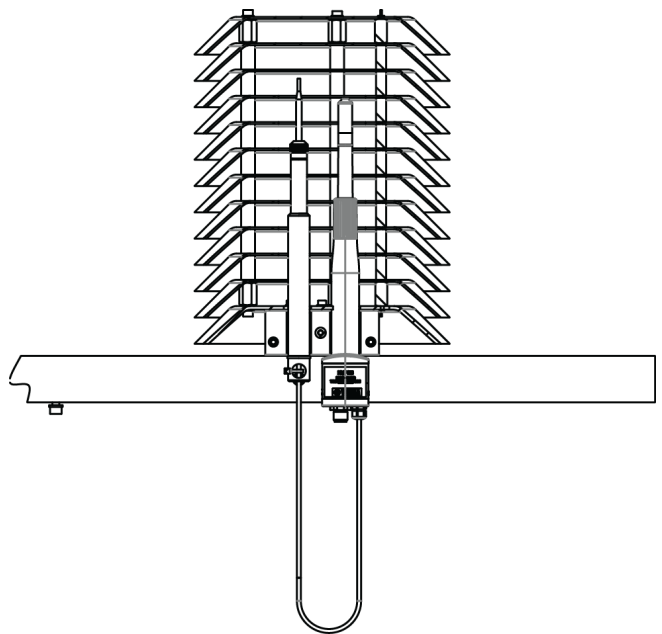
- 1 Hole for additional temperature probe (T-probe), up to $\varnothing 19$ mm ($\varnothing 0.75$ in)
- 2 Hole for humidity probe (HMP155), up to $\varnothing 24 \times 20$ mm ($\varnothing 0.94 \times 0.79$ in)

DTR15 Radiation Shield Dimensions

Outer diameter	220 mm (8.7 in)
Outer height	110 mm + 180 mm spikes (4.33 in + 7.09 in)
Inner diameter	110 mm (4.33 in)
Inner height	50 mm (1.97 in)
Weight	1.4 kg (3.09 lb)

DTR15 Installation

Spikes inserted into ground



HMP155 with Optional T-probe inside DTR13