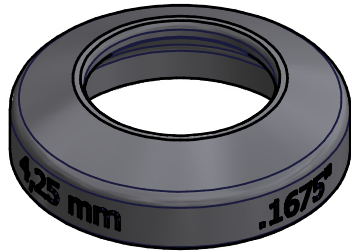
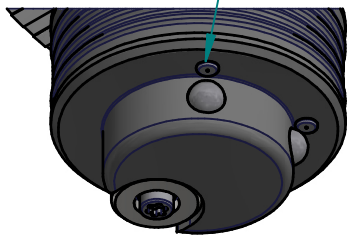


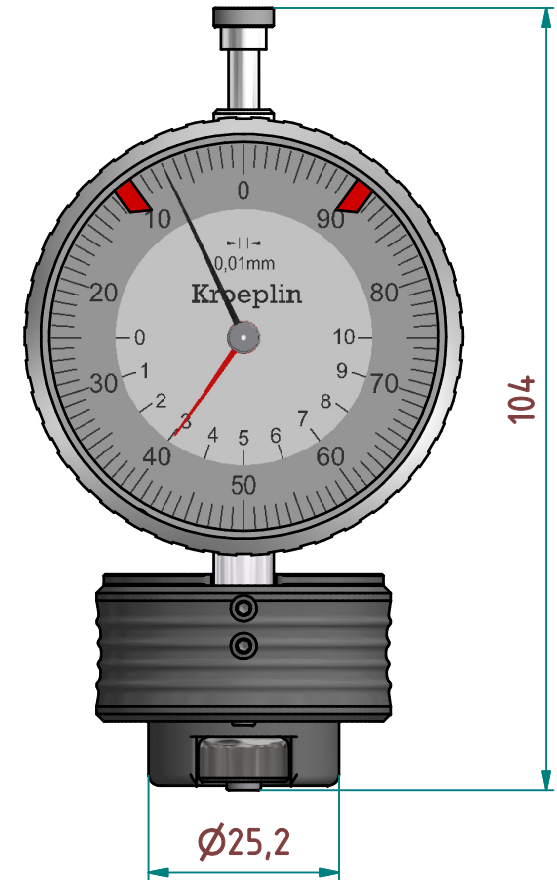
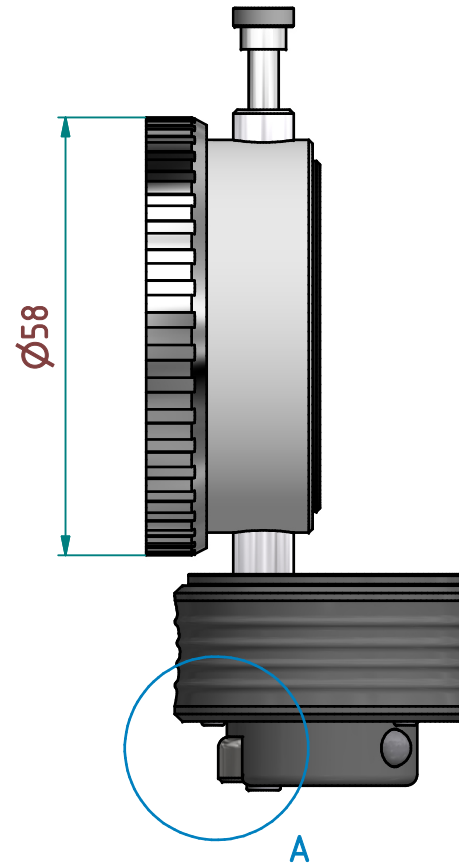
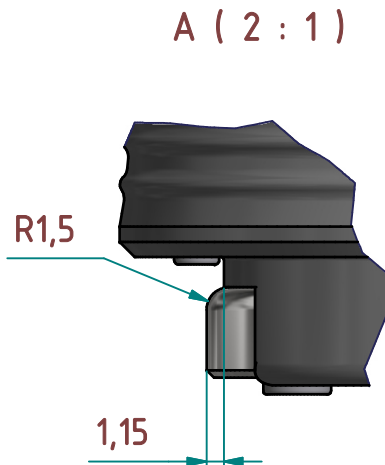
calibration with a adjusting ring 0641-31
(included in delivery)



point of support (3x)



selective measurement
on the hole round border
through 3 point of support



subject to technical alterations

type: aerosol
range: 3,5 - 5,0 mm
range of indication: 3,1 - 10,2 mm
digital step: -
scale interval: 0,01 mm
measuring force: 2,0 - 3,0 N
weight: 300 g

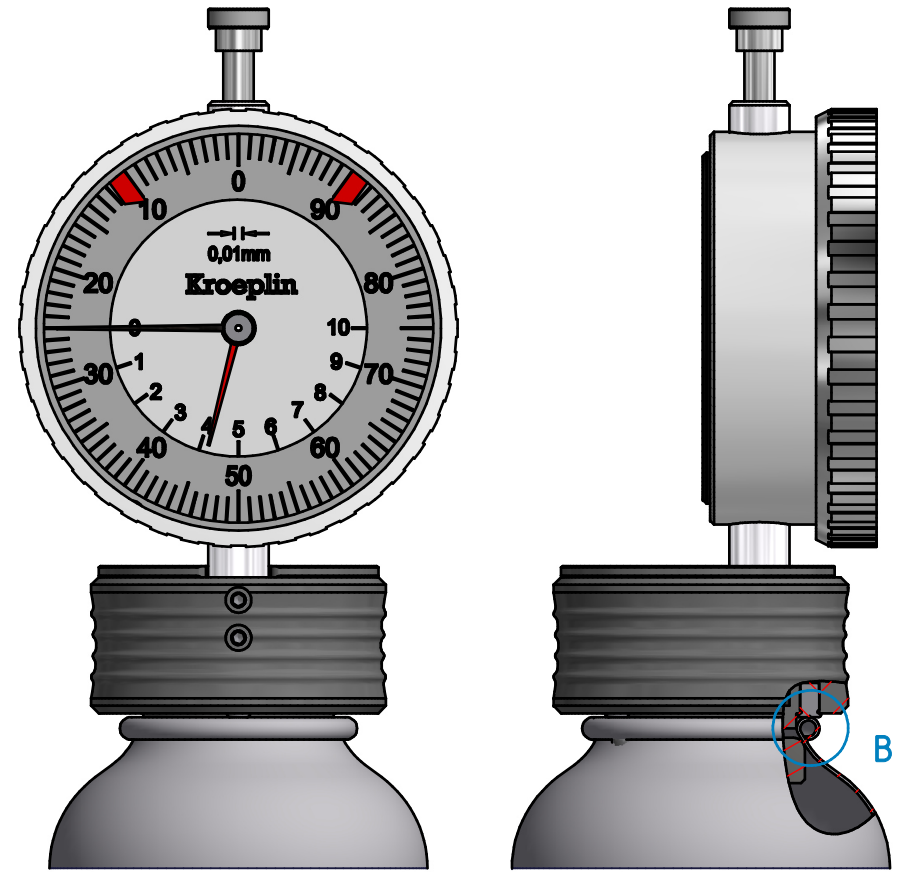
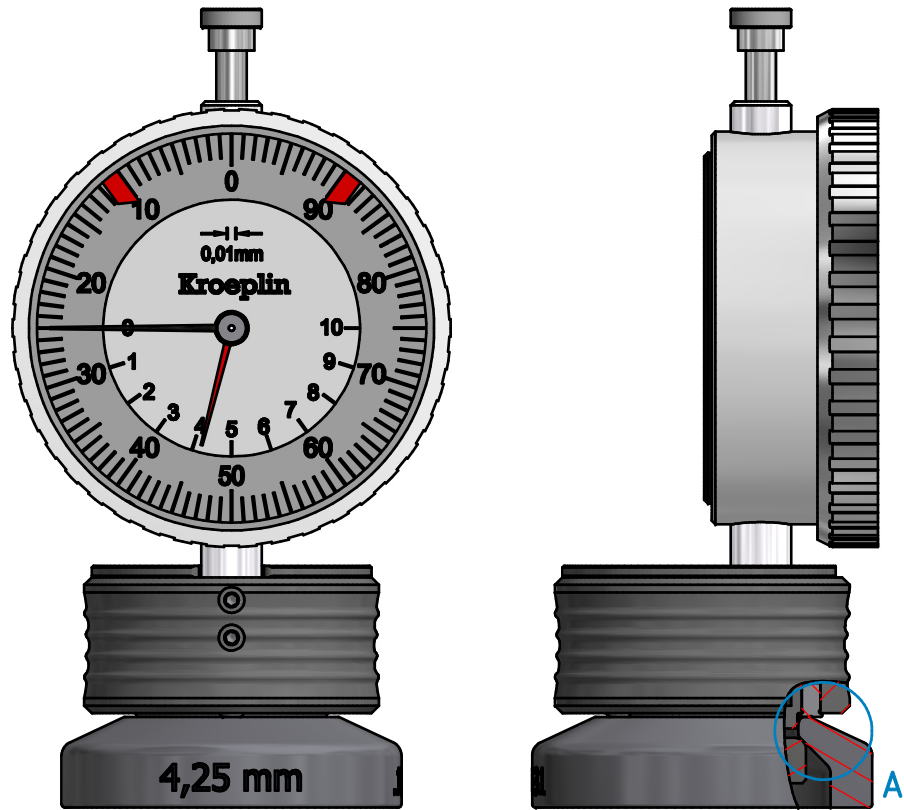
acceptable deviations
VDI/VDE/DGQ 2618 Bl. 12.1/13.1)
max. permissible errors "G": 0,02 mm
repeatability "r": 0,02 mm
reference temperature: 20° C
operation temperature: 10° C - 30° C
storage temperature: -10° C - 50° C

scale: 1:1
drawing-nr.: A2130-DB_e
date of issue: 08.07.15
name: T.König
revision status: 2123 / MHe
revision date: 01.10.2015

A2130

calibration

measurement



B (2 : 1)

A (2 : 1)

