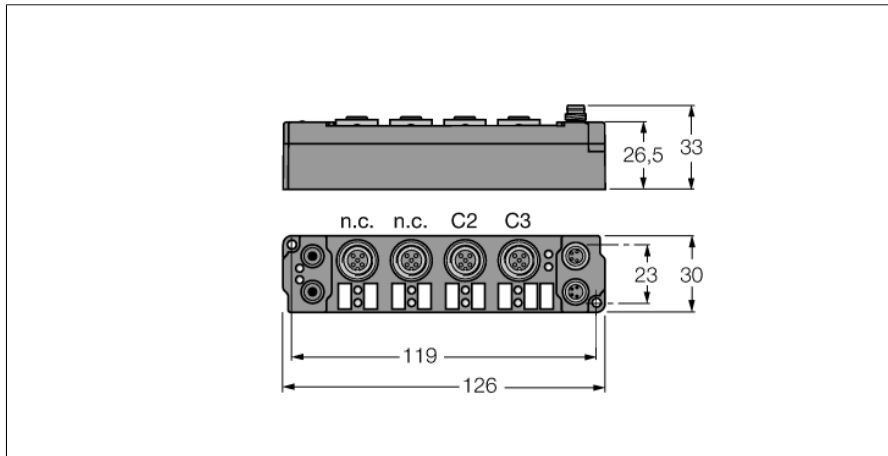
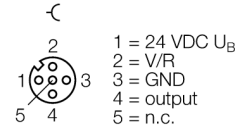


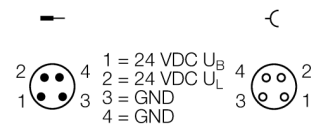
piconet® Extension Module for IP-Link
2-channel Pulse Width Modulation (PWM)
SNNE-0002D-0002



M12 × 1 Output



M8 × 1 Power Supply



$I_{Bmax} = I_{Lmax} = 4 \text{ A}$

Type designation	SNNE-0002D-0002
Ident-No.	6824177
Number of channels	2
Operating / load voltage	20...29 VDC
Operating current	≤ 25 mA
Fibre-optic length	≤ 15 m
V/R output	0.5 A short-circuit proof
Output current per channel	2.5
Load type	resistive, inductive
Base frequency	1 Hz...10 kHz (default 250 Hz)
Duty factor	0...100 % (t ON > 750 ns, t OFF > 500 ns)
Resolution	10 Bit
Freewheeling diode	on the outputs
Dimensions (W x L x H)	30 x 126 x 26.5mm
Operating temperature	0...+55 °C
Storage temperature	-25 to 85 °C
Vibration test	as per EN 60068-2-6
Shock test	acc. to DIN EN 60068-2-27
Electromagnetic compatibility	according to EN 61000-6-2/EN 61000-6-4
Protection class	IP67
Approvals	CE, cULus

piconet® Extension Module for IP-Link
2-channel Pulse Width Modulation (PWM)
SNNE-0002D-0002

Data in process image

	Address	Input data		Output data	
Pre-conditions	Word	High-Byte	Low-Byte	High-Byte	Low-Byte
Complex mapping: Data are mapped with control and status byte	0	Ch0 Reg1	SB0	Ch0 D1	CB0
	1	SB1	Ch0 Reg0	CB1	Ch0 D0
	2	Ch1 Reg0	Ch1 Reg1	Ch1 D0	Ch1 D1