

CENTRIFUGAL BLOWERS

JET SERIES

Jet Series centrifugal blowers are ideal for air knife drying, vacuum, cooling, & exhaust applications.

JetAir's blowers feature belt-free DirectDrive[™] technology. They are enabled by a high-speed motor and an aerodynamically designed impeller. DirectDrive[™] enhances reliability and boosts performance by eliminating belts, tensioning devices, and complex spindle assemblies. Jet Series blowers are engineered for moderate flow and pressure applications from 10HP to 40HP [7.5-30kW]. Their compact design enables them to fit into the widest range of OEM equipment.

MEET THE FAMILY

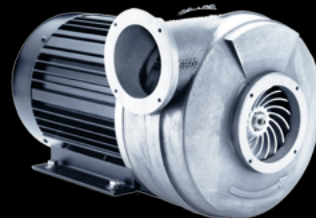
JET-2G[™]



JET-1[™]

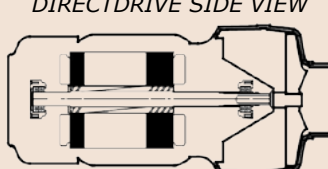


JET-5[™]



JET-3[™]



	JET-1 [™]	JET-2G [™]	JET-3 [™]	JET-5 [™]
POWER	5-10HP [3.7-7.5kW] Flow: 760cfm [1280M3Hr] Pressure: 65" WG [160mBar] Vacuum: 58" WG [145mBar]	10-20HP [7.5-15kW] Flow: 1350cfm [2300M3Hr] Pressure: 95" WG [240mBar] Vacuum: 85" WG [210mBar]	10-20HP [7.5-15kW] Flow: 1200cfm [2040M3Hr] Pressure: 110" WG [275mBar] Vacuum: 96" WG [240mBar]	30-40HP [22-30kW] Flow: 2200cfm [3738M3Hr] Pressure: 140" WG [350mBar] Vacuum: 120" WG [300mBar]
DIM.	11.34"[288]W 17.60"[447]L 9.91"[251.6]H	13.70"[348]W 18.32"[465]L 12.84"[326]H	13.70"[348]W 12.10"[485]L 12.27"[311]H	15.89"[403]W 23.04"[585]L 14.00"[356]H
MOTOR	TEFC, IP54, External Junction Box 3-Phase, 190-220, 390-480 and 600VAC , 50/60Hz, Thermistor, 105°F [40°C] Ambient	TEFC, IP54, External Junction Box 3-Phase, 190-220, 390-480 and 600VAC , 50/60Hz, Thermistor, 105°F [40°C] Ambient	TEFC, IP54, External Junction Box 3-Phase, 190-220, 390-480 and 600VAC, 50/60Hz, Thermistor, 105°F [40°C] Ambient	TEFC, IP54, External Junction Box 3-Phase, 190-220, 390-480 and 600VAC, 50/60Hz, Thermistor, 105°F [40°C] Ambient
CXN	Inlet: 4"Ø [102mm] Outlet: 4"Ø [102mm] 360° Rotation	Inlet: 5"Ø [126mm] Outlet: 4"Ø [102mm] 360° Rotation	Inlet: 5"Ø [126mm] Outlet: 4"Ø [102mm] 360° Rotation	Inlet: 5"Ø [126mm] Outlet: 4"Ø [102mm] 360° Rotation
WT.	67 lbs. [31 kg]	79 lbs. [36 kg]	79 lbs. [36 kg]	180 lbs. [82 kg]
DIRECTDRIVE	 <p>Jet Series Advantages: More reliability • More efficiency • More compact Lower maintenance costs • Lower electrical consumption Overnight delivery • Single stage centrifugal compressor Oil-less, spindle free design</p>			

Blower Highlights:



SMART

Variable Frequency Drive (VFD) control enables:

- Precise airflow settings
- Lower utility expenses
- PLC connectivity
- Motor protection
- Nonspiking soft-starts



EFFICIENT

Jet Series Blowers offer:

- 1 year payback
- 85% savings over compressed air
- No belts
- 10-12% more efficient than other blowers
- The lowest delivery costs



RELIABLE

Jet Series Blowers include:

- Built-in motor protection
- Ultra-precise balancing
- Air cooled
- Fewer parts
- Long service life
- Low maintenance costs
- No belts
- Warranty included



WELL DESIGNED

IMPELLER:

- 5 axis C355 aluminium

BLOWER:

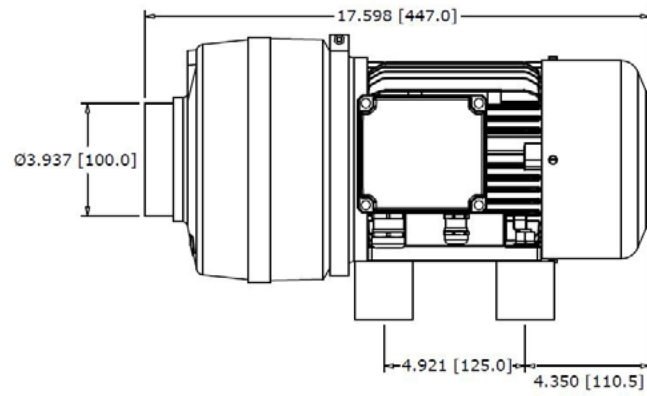
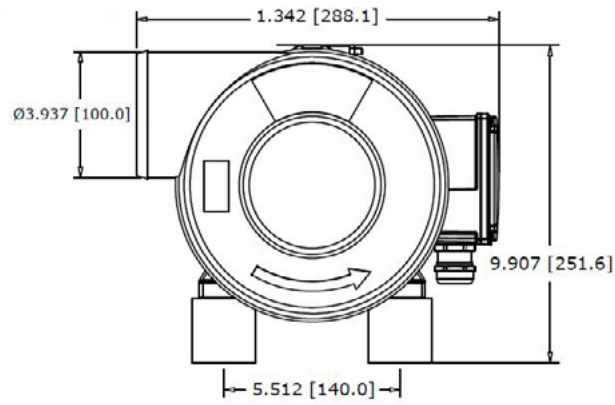
- A356-T6 aluminum with integrated lifting eye
- Wash-down cover available

FOOTPRINT:

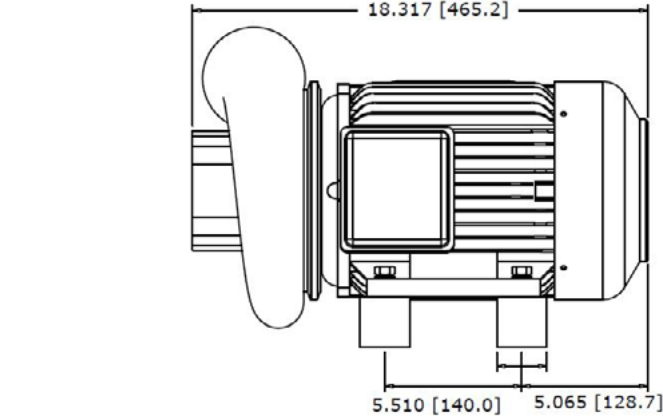
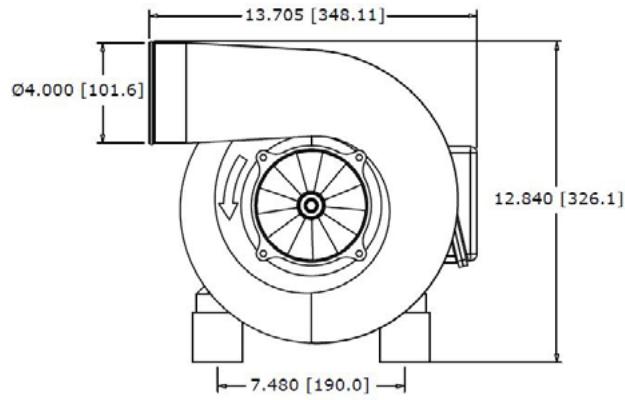
- 10-40HP in less than 24"



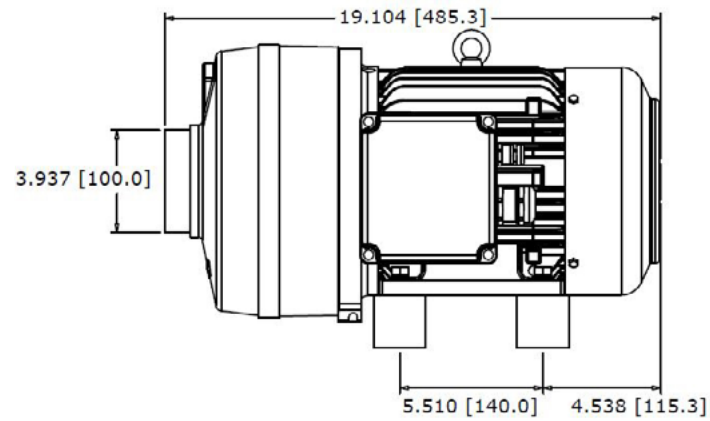
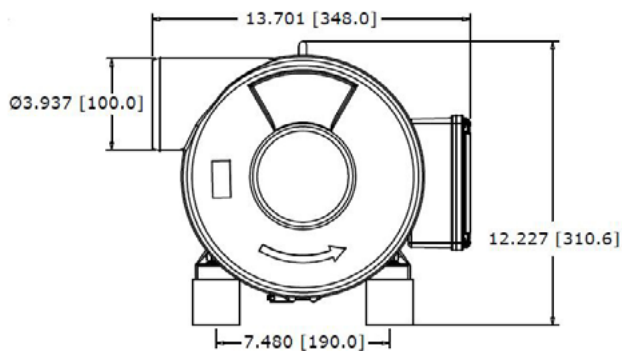
JET-1™



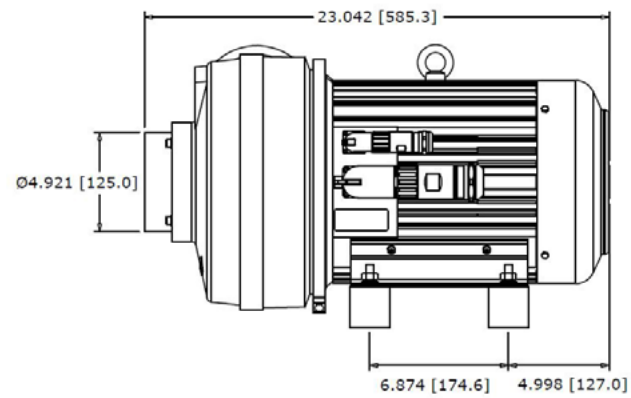
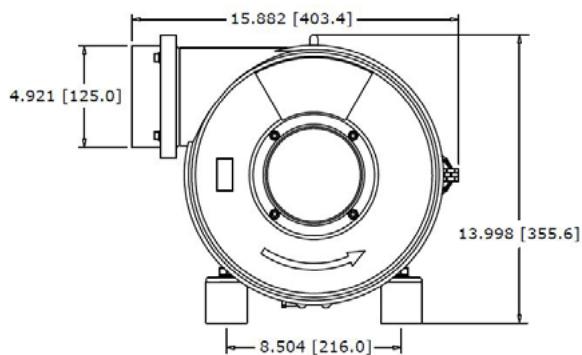
JET-2G™



JET-3™



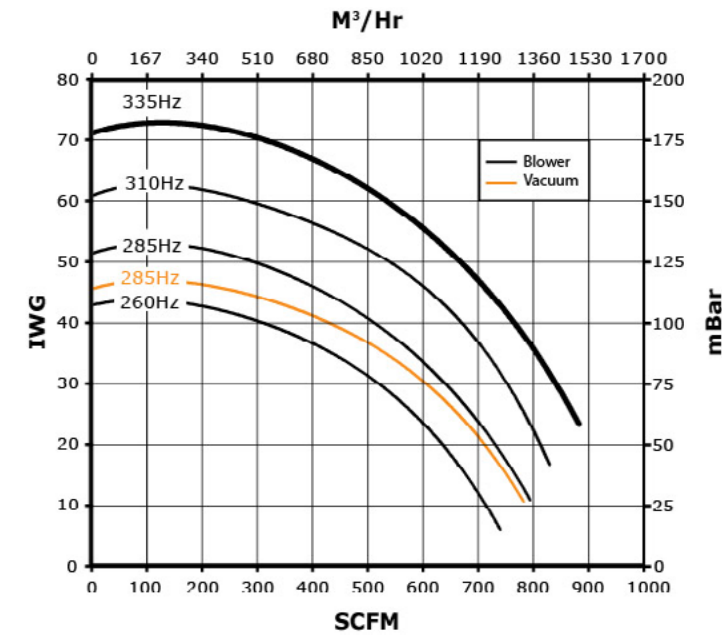
JET-5™



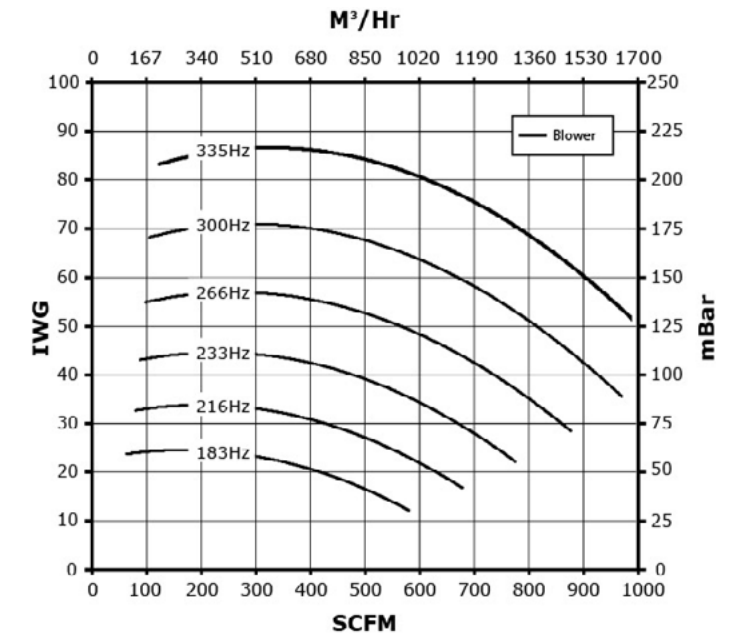
Blower Curves:

Variable frequency drive allows blowers to run at different speeds as shown below.

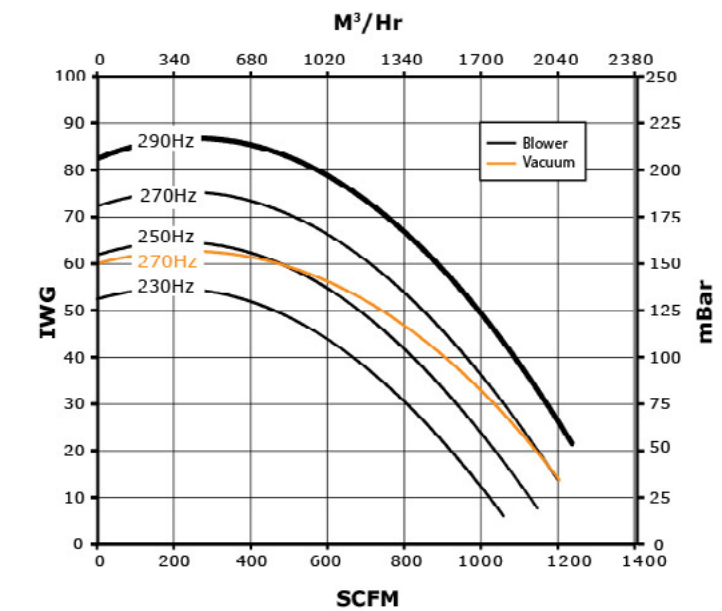
JET-1™



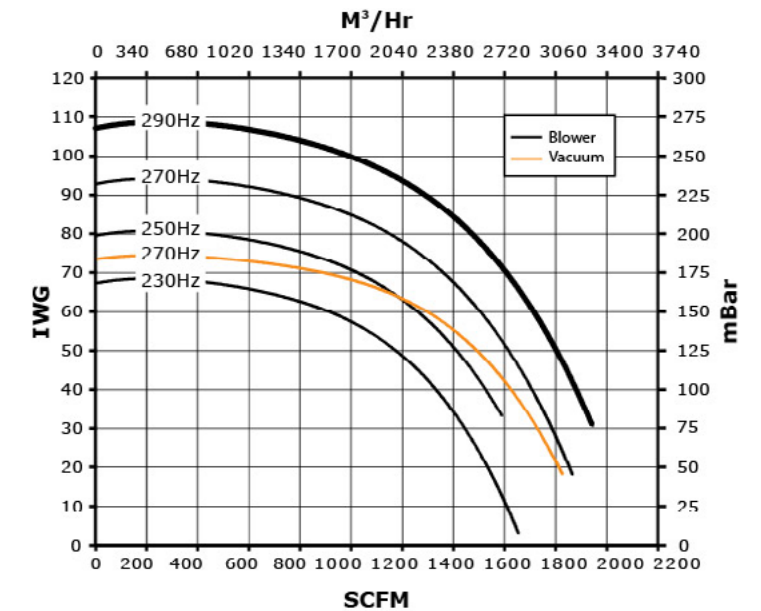
JET-2G™









JET-3™



JET-5™



Blower Usage:

BEVERAGE	 <ul style="list-style-type: none"> • Dry for: labeling, coding, inspection, & secondary packaging • Water rinse for cleaning, pre-fill, & cold fill labeling • Single file or mass flow • Clean containers using ionized air before filling 	INDUSTRIAL	 <ul style="list-style-type: none"> • Machine tool coolant removal • Dry sheets, crates, wire, etc. • Dry large applications • Debris, bead blast, & casting sand removal • Dry before coding • Edge curing • Cooling
FOOD	 <ul style="list-style-type: none"> • Dry for labeling, coding, & secondary packaging • Smooth & cure coatings • Remove loose product • Remove excess water • Dry conveyors • Move product • Fluff bags 	POWDER	 <ul style="list-style-type: none"> • Dry powder blenders of any size • Remove statically charged powder from container interiors and exteriors • Vacuum collection of excess powder
PHARMA	 <ul style="list-style-type: none"> • Dry pouches - gusseted, pillow, etc. • Air rinse and/or dry containers with HEPA-filtered air • Remove debris • Dry IV bags 	MORE	 <ul style="list-style-type: none"> • Automotive: Battery process drying, pre-paint ionized air rinse, parts blow-off • Textile: Vacuum cutting tables • Customized Solutions: Engineered-to-order systems for drying and air rinsing applications

Brands Using JetAir:

