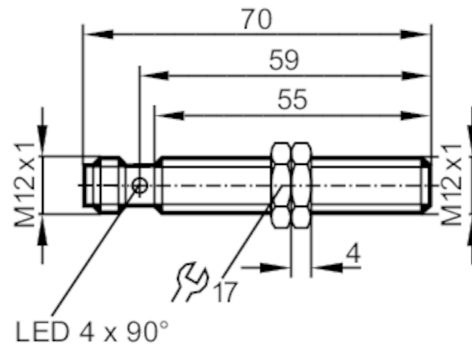


# IF5948



## Inductive sensor

IFK4004BCPKG/US-104-DPA



### Product characteristics

Electrical design		PNP
Output function		complementary
Sensing range	[mm]	4
Housing		Threaded type
Dimensions	[mm]	M12 x 1 / L = 70

### Application

System		Increased sensing range
--------	--	-------------------------

### Electrical data

Operating voltage	[V]	10...30 DC
Current consumption	[mA]	< 15
Protection class		II
Reverse polarity protection		yes

### Outputs

Electrical design		PNP
Output function		complementary
Max. voltage drop switching output DC	[V]	2.5
Permanent current rating of switching output DC	[mA]	200
Switching frequency DC	[Hz]	700
Short-circuit protection		yes
Overload protection		yes

### Monitoring range

Sensing range	[mm]	4
Real sensing range Sr	[mm]	4 ± 10 %
Operating distance	[mm]	0...3.24
Increased sensing range		yes

### Accuracy / deviations

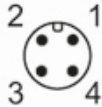
Correction factor		steel: 1 / stainless steel: 0.7 / brass: 0.5 / aluminum: 0.4 / copper: 0.3
Hysteresis	[% of Sr]	3...15
Switch-point drift	[% of Sr]	-10...10

# IF5948



## Inductive sensor

IFK4004BCPKG/US-104-DPA

Operating conditions		
Ambient temperature	[°C]	-20...80
Protection		IP 67
Tests / approvals		
EMC	EN 61000-4-2 ESD	4 kV CD
	EN 61000-4-3 HF radiated	3 V/m
	EN 61000-4-4 Burst	2 kV
	EN 61000-4-6 HF conducted	3 V
	EN 55011 emission	class B
MTTF	[years]	13550
Embedded software included		yes
Mechanical data		
Weight	[g]	30.2
Housing		Threaded type
Mounting		flush mountable
Dimensions	[mm]	M12 x 1 / L = 70
Thread designation		M12 x 1
Material		threaded sleeve: brass white bronze coated; sensing face: LCP white; LED window: PEI; lock nuts: brass white bronze coated
Tightening torque	[Nm]	7
Displays / operating elements		
Display	Switching status	4 LED, yellow
Accessories		
Items supplied		lock nuts: 2
Remarks		
Pack quantity		1 pcs.
Electrical connection - plug		
Connector: 1 x M12; coding: A		
		

# IF5948



## Inductive sensor

IFK4004BCPKG/US-104-DPA

### Connection

