

**EuroSwitch - Flow Switch**

**FL-A-WL Series Overview**

**Multi Certified : ATEX & IECEx Ex db/tb & Ex ia IIC/IIIC T4/T6**

The FL-A Series Flow Switch is an ultra-compact instrument which is engineered from 316 stainless steel including all wetted parts. Designed to monitor the flow of liquid in 1/2" to 2" pipe it is available certified to all global protection standards for use in Hazardous Areas.

The FL-A-WL version utilises our unique Wireable Connection Head with either an M20 x 1.5 or 1/2" NPT conduit entry port provided on the side. This eliminates the requirement for an external junction box and associated fitting kit by allowing the incoming cable to be connected directly at the back of the switch. The side entry port version provides benefits to applications where space is at a premium along the switch axis and improved cable management is required.

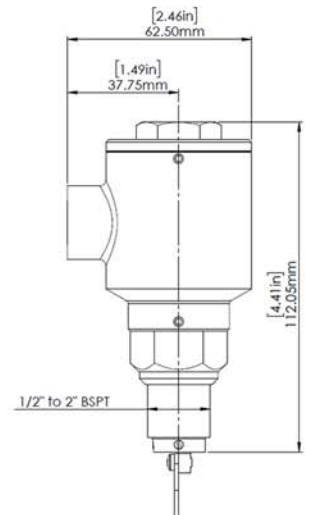
Each flow switch is supplied pre-installed into a 316 Stainless Steel tee which is size dependent on the application and flow rate requirements.



**Properties**

Body Style	Wireable Connection Head - Side Entry
Body Material	316 Stainless Steel
Paddle Material (Wetted Parts)	316 Stainless Steel
Connection	M20 x 1.5 or 1/2" NPT Conduit Entry
Mounting (Pipe Size)	1/2" to 2" BSPT (NPT optional)
Operating Temperature	-60°C to +120°C
Temperature Class (T Rating)	T4/T6 (Can also be used in T5 and T3)
Environmental Protection	IP 66 / 67
Gas Group	IIC (Can also be used in IIA and IIB)
Dust Group	IIIC (Can also be used in IIIA and IIIB)
Hazardous Location	Zones 1, 2, 21 and 22
Contact Form	SPDT or DPDT (Form C, Volt Free contacts)
Contact Material	Silver
Max. Switching Current / Ratings	4A (24A In-rush) @ 24 VDC / 110 VAC / 240 VAC

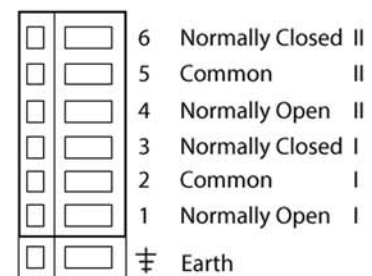
**Dimensions**



**Flow Indication Points (Actuation/Deactuation)**

**Connection**

Tee Size	Cold Water		Tee Size	Air	
	Actuation l/min	Deactuation l/min		Actuation l/min	Deactuation l/min
1/2"	6	4	1/2"	180	120
3/4"	8	5	3/4"	300	200
1"	11	6	1"	420	360
1 1/4"	15	11	1 1/4"	600	540
1 1/2"	22	19	1 1/2"	960	840
2"	38	32	2"	1200	1020



Provided with WAGO Cage Clamp terminals.  
Suitable for conductors 0.08-2.5mm<sup>2</sup> / 28-12 AWG.

Custom flow rates are available. Please consult factory with your requirements.

**Certification and Approvals**

Certification	Compliance	Certificate No.
ATEX Ex db IIC/IIIC T4/T6 Gb	EN 60079-0: 2012+A11:2013   EN 60079-1: 2014   EN 60079-26: 2015   EN 60079-31: 2009   EN13463-1: 2009	Baseefa16ATEX0049X
IECEx Ex db IIC/IIIC T4/T6 Gb	IEC 60079-0: 2011   IEC 60079-1: 2014-06   IEC 60079-31: 2013	IECEx BAS 16.0034X
IECEx Ex ia IIC/IIIC T4/T6 Ga	IEC 60079-0: 2011   IEC 60079-11: 2011	IECEx BAS 16.0124X
UL/CSA Class 1 Div 1&2; Cl II Div 1&2 T6		In progress
TR CU Ex d T4/T6		In progress
INMETRO Ex d T4/T6		In progress