

TECHNICAL DATASHEET

Asynchronous Motor 4A 712-2
--

Customer:	Impexron GmbH
Ref:	Rfq № 1411509
Order:	
Motor:	112299
Serial nr:	
Date:	2024-07-22

Nameplate Data:

Code: 112299

Type: 4A 712-2					
kW	Hz	V	A	Rpm	Cos
0,55	50	230D	2,3	2790	0,82
0,55	50	400Y	1,3	2790	0,82
0,66	60	460Y	1,4	3348	0,82
Eff.(100%) 50Hz	Duty	IE-class	Amb.temp.	IP rating	Iso.class
74,0	S1	IE1	Max 45°	IP55	F/B
Nominal data S1-duty, Amb.temp 45°C:					
Voltage - V:		400	Mounting form:		B3
Frequency - Hz:		50	Bearing DE:		6202-2Z/C3
Power - kW:		0,55	Bearing NDE:		6202-2Z/C3
Full load speed - rpm:		2790	Weight - kg:		6,3
Full load current - A:		1,3	Heater:		No
Full load power factor - Cos:		0,82	Th.Protection:		PTC mounted
Locked rotor current - A:		8,0	Kgm ² :		0,0009
Locked rotor factor - A _{st} /A _n :		6,1	Sound press.-db(A):		-
Efficiency 100% load - %:		74,0	Cooling:		IC411
Efficiency 75% load - %:		73	Over load/speed test:		
Efficiency 50% load - %:		69,5	H-pot test voltage:		2200
Full load torque - Nm:		1,9	Temp rise in stator:		F
Locked rotor torque - Nm:		4,3	Over load 160% - 15 sec		
Locked rotor torque - Nm _{st} /Nm _n :		2,3	kW:		0,88
Max. Pull out torque - Nm:		4,3	Hz:		50
Max. Pull out torque. - Nm _{st} /Nm _n :		2,3	V:		400
Other:			A:		2,0
HS Code 85015100			Rpm:		2585
Country of origin China			Over speed 125% - 2 min		
			kW:		0,55
			Hz:		63
			V:		400
			A:		1,2
			Rpm:		3488

The motor is produced in accordance with following harmonized standards:

IEC60034-1, IEC60034-2, IEC60034-5, IEC60034-6, IEC60034-7, IEC60034-8, IEC60034-9

IEC60034-12, IEC60034-14, IEC60034-30-2, IEC60072.

Additional specifications in accordance with:

RINA - GL - LRS - BV - DNV - ABS - KR - RR - CCS - CCC - RMRS.

TECHNICAL DATASHEET

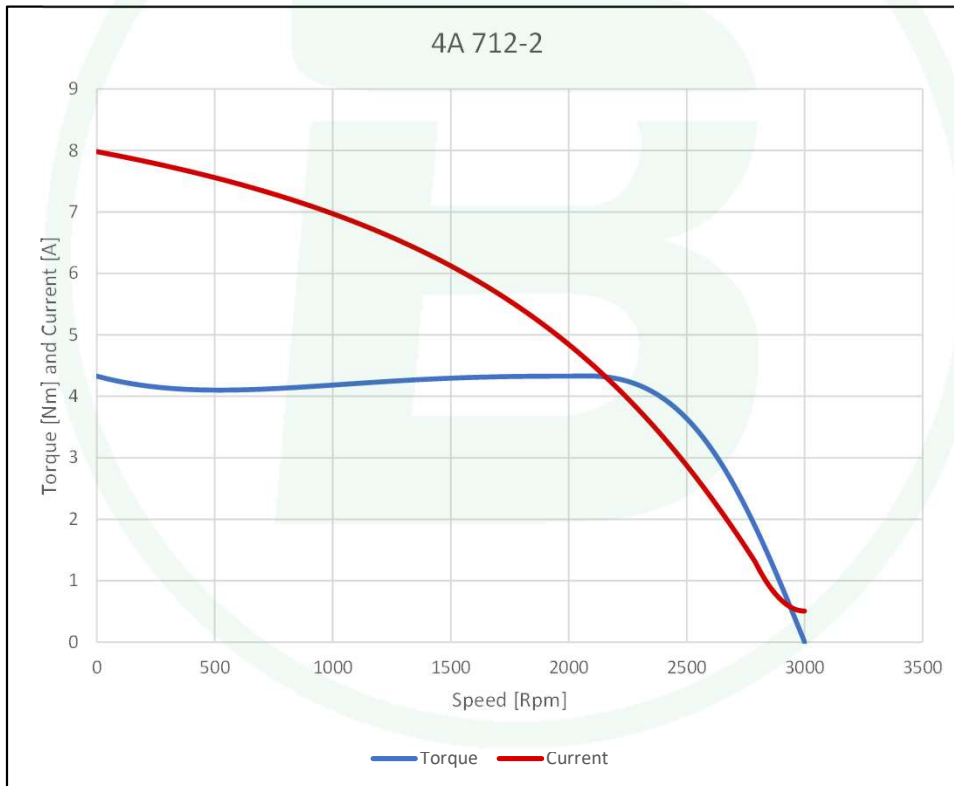
**Asynchronous Motor
4A 712-2**

Customer:	Impexron GmbH
Ref:	Rfq № 1411509
Order:	
Motor:	112299
Serial nr:	
Date:	2024-07-22

Motor data

Rated output [kW]	0,55	Full load torque [Nm]	1,9
Rated speed [r/min]	2790	Tstart / Tn	2,3
Rated current [A]	1,3	Tmax / Tn	2,3
Istart / In	6,1	Moment of inertia [kgm ²]	0,0009
Test conditions			
Voltage [V] at 100%	400	Frequeny [Hz] at 100%	50

Starting curves



Please note that the graphs shown above are the result of a computer simalon.

They are not and do not provide any sort of guarantee or certainty regarding the performance of any individual motor in a real life scenario.



TECHNICAL DATASHEET

**Asynchronous Motor
4A 712-2**

Customer:	Impexron GmbH
Ref:	Rfq № 1411509
Order:	
Motor:	112299
Serial nr:	
Date:	2024-07-22

Motor data

Rated output [kW]	0,55	Power factor at P _n [Cos φ]	0,82
Rated speed [r/min]	2790	Efficiency at P _n	74
Rated current [A]	1,3		
I _{start} / I _n	6,1		
Test conditions			
Voltage [V] at 100%	400	Frequeny [Hz] at 100%	50

Load curves



Please note that the graphs shown above are the result of a computer simalon.

They are not and do not provide any sort of guarantee or certainty regarding the performance of any individual motor in a real life scenario.

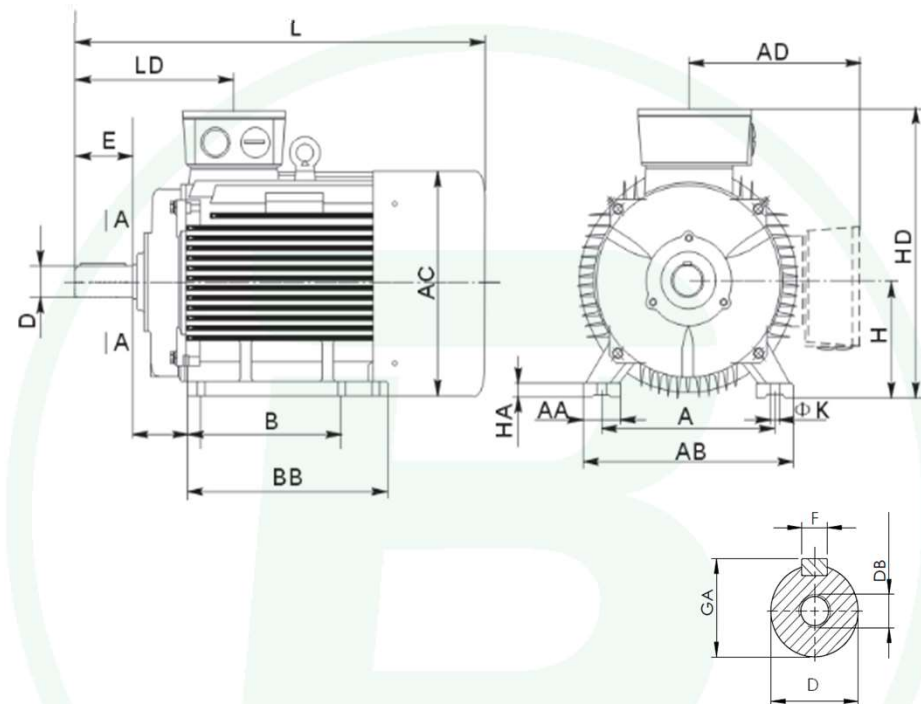


TECHNICAL DATASHEET

**Asynchronous Motor
4A 712-2**

Customer:	Impexron GmbH
Ref:	Rfq № 1411509
Order:	
Motor:	112299
Serial nr:	
Date:	2024-07-22

Foot mounted motor 4A 712-2 B3



Unit: mm

A:	112	HD:	200	E:	30
B:	90	C:	45	D:	14
AB:	138	H:	71	GA:	16
AC:	138	K:	7	DB:	M5
AD:	129	L:	245	F:	5
LD:					