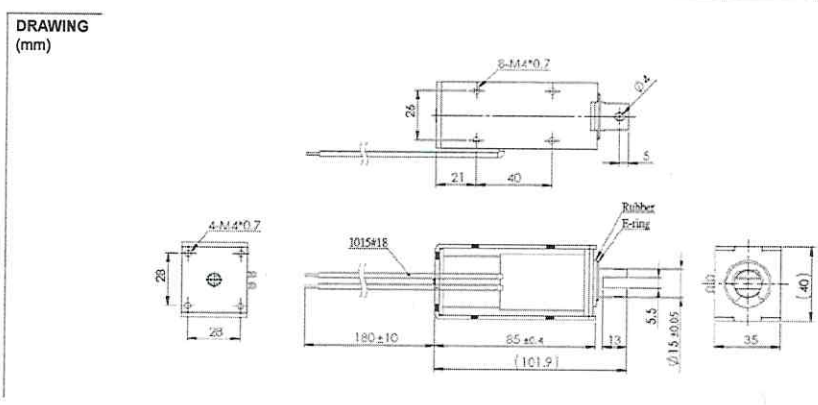


F1585L (pull type)



SOLENOID DATA					
Duty cycle / ED (%) ▶	Continuous (100%)	Intermittent (50%)	Intermittent (25%)	Intermittent (10%)	
Watts @ 20°C ▶	12.7	25.4	50.8	127	
Maximum time in energized state (in seconds) ▶	∞	160	80	32	
Part ▼	Resistance (20°C) ± 10% (Ω) ▼	DC Volts (V) ▼			
F1585L-06V	2.8	6	8.5	12	19
F1585L-12V	11.3	12	17	24	38
F1585L-24V	45.3	24	34	48	76

SOLENOID FEATURES AND STANDARD DATA		
	STANDARD	CUSTOMIZATION OPTIONS
Type	Pull type DC solenoid	Push type DC solenoid
Cable	Flying wire 230mm	Length, type and connector
Voltage	6 to 24 VDC @ 100% ED	Other voltages upon request
Life time	At least 500.000 single strokes	
Plunger material	Carbon steel 12L14	
Protection class	IP00	
Insulation grade	B	
Operating temperature	-5°C ... +40°C	
Manufacturing quality standards	ISO9001:2008, ISO/TS 16949:2002	
RoHS compliance	Yes	
CE approval	No	
UL approval	No	

ADDITIONAL DATA	
Return spring	Yes
Weight	530g



CORSA 50 MM

PULL + PUSH

FORCE 110 N

DIAGRAM

