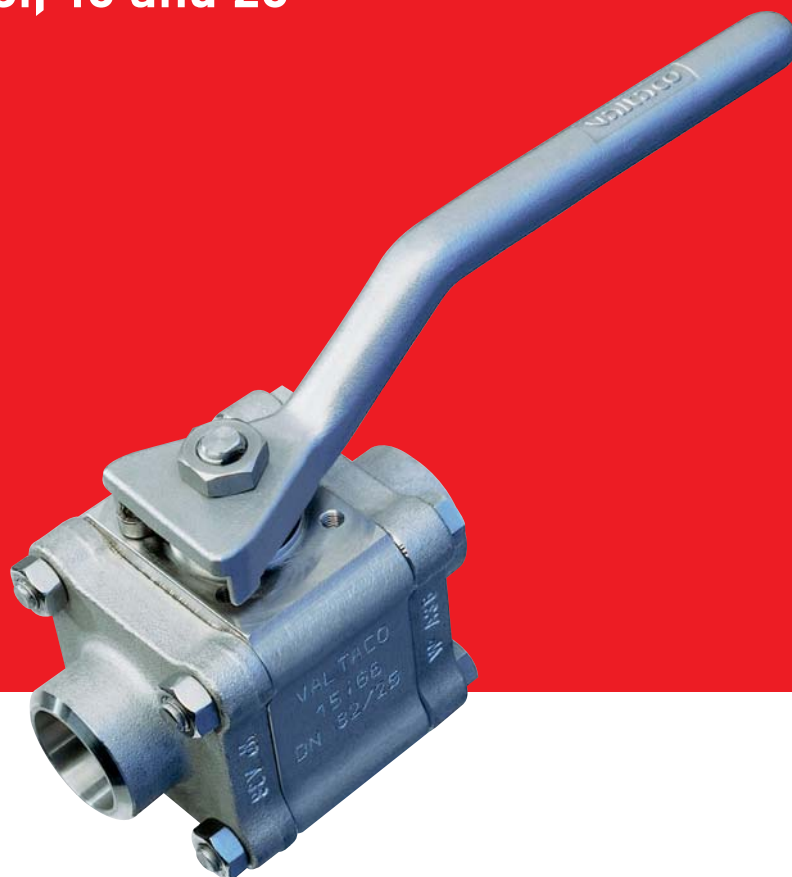


Ball Valves 15i, 17i, 18i, 16 and 26



CERTIFIED

- CE 0036
- ISO 9001

FEATURES

- Ergonomic design
- Encapsulated bolting
- Various seal sets, connections and accessories
- Standardised VALTACO spare parts
- Easy to fit actuator and accessories
- Solid ball

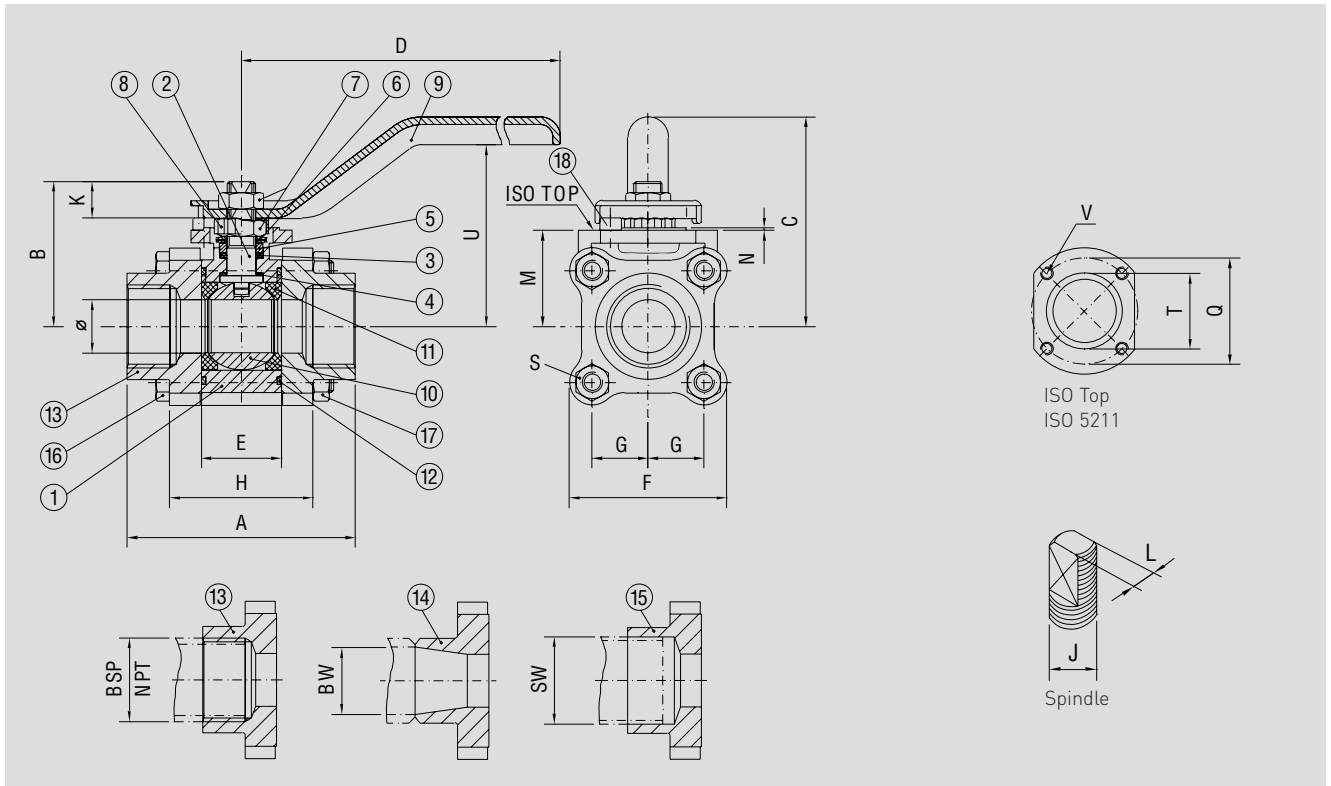
ADVANTAGES

- Easy operation
- Ideal for challenging environments
- Can be extended for use with different applications
- Minimum spare parts stock requirement
- Easy upgrade from existing ball valves, flexibility and ideal storage
- Cost-effective automation – ISO 5211 Topflange



valtaco

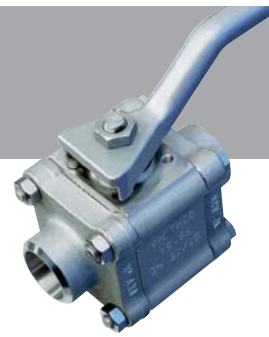
Reduced bore DN 15-50 (1/2" - 2")



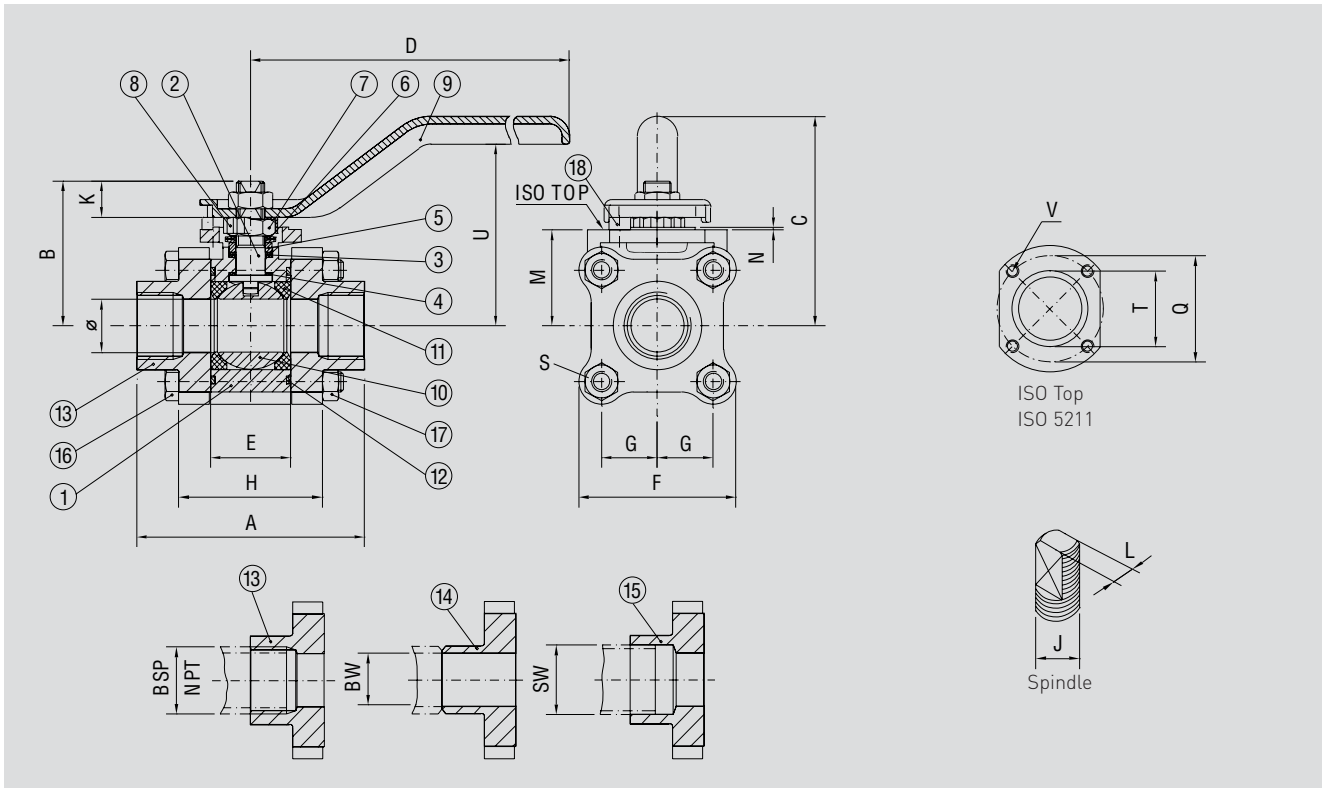
With encapsulated bolts
and ISO mounting flange

Reduced bore DN 15-50 (1/2" - 2")

DN	15	20	25	32	40	50
SIZE	1/2"	3/4"	1"	1 1/4"	1 1/2"	2"
BW	15.8	21	26.6	35.1	41	52.5
SW	22	27.5	34.5	43	49	61.5
Ø	11	14	21	25	32	38
A	66	76	90	105	115	130
B	36	42	56	60	71	76
C	62	65	82	81	101	106
D	150	150	175	175	200	200
E	20.6	24.6	31.7	41.3	48.4	56.3
F	45	51	62	68	77	87
G	16	19	22	25	29	33
H	40	46	57	67	76	86
J UNF	3/8"	3/8"	7/16"	7/16"	9/16"	9/16"
K	9	12	14	14	16	16
L	5.5	5.5	7.5	7.5	9	9
M	27	32	38	35	41	46
N	1	1	1	2	2	2
Q	42	42	42	42	50	50
S	M6x45	M6x55	M8x65	M8x75	M10x90	M10x100
T	30	30	30	30	35	35
U	51	54	71	70	86	91
V	M5	M5	M5	M5	M6	M6
ISO TOP	F04	F04	F04	F04	F05	F05
kg	0.6	0.8	1.5	2.2	3	4



Full bore DN 8-40 (1/4" - 1 1/2")



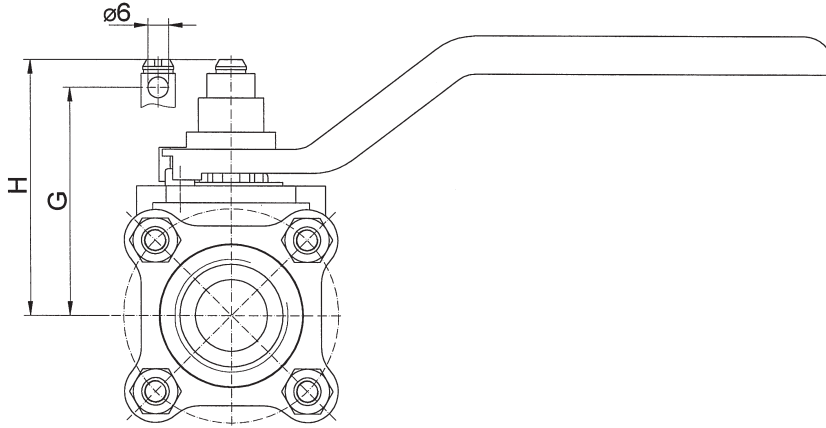
Materials		
	15i44	15i66
1 Body	1.0432N	1.4401
2 Valve stem	1.4435	1.4435
3 Stem seal	PTFE-carbon	PTFE-carbon
4 Thrust washer	PTFE-carbon	PTFE-carbon
5 Thrust collar	1.4305	1.4305
6 Plate spring	1.4310	1.4310
7 Handle nut	1.4305	1.4305
8 Retaining cap	1.4301	1.4301
9 Hand lever	1.4408	1.4408
10 Ball	1.4401	1.4401
11 Seat	PTFE-glass	PTFE-glass
12 Body seal	PTFE-glass	PTFE-glass
13 Threaded connection**	1.0432N	1.4404
14 Butt weld connection**	1.0432N	1.4404
15 Socket weld connect.**	1.0432N	1.4404
16 Body bolt	8.8 galv.	A2-70
17 Body nut	8.8 galv.	A2
18 Bolt	8.8 galv.	A2-70

** Series 1566 - 1.4404

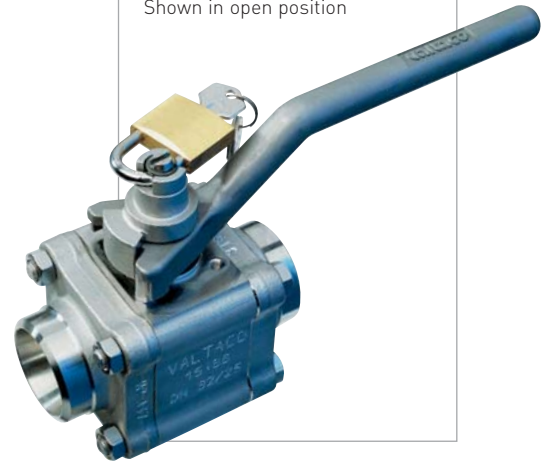
Full bore DN 8-40 (1/4" - 1 1/2")							
DN	8	10	15	20	25	32	40
SIZE	1/4"	3/8"	1/2"	3/4"	1"	1 1/4"	1 1/2"
BW	9.2	12.5	15.8	21	26.6	35.1	41
SW	14	18	22	27.5	34.5	43	49
Ø	11	11	14	21	25	32	38
A	66	66	76	90	105	115	130
B	36	36	42	56	60	71	76
C	62	62	65	82	81	101	106
D	150	150	150	175	175	200	200
E	20.6	20.6	24.6	31.7	41.3	48.4	56.3
F	45	45	51	62	68	77	87
G	16	16	19	22	25	29	33
H	40	40	46	57	67	76	86
J UNF	3/8"	3/8"	3/8"	7/16"	7/16"	9/16"	9/16"
K	9	9	12	14	14	16	16
L	5.5	5.5	5.5	7.5	7.5	9	9
M	27	27	32	38	35	41	46
N	1	1	1	1	2	2	2
Q	42	42	42	42	42	50	50
S	M6x45	M6x47	M6x55	M8x65	M8x75	M10x90	M10x100
T	30	30	30	30	30	35	35
U	51	51	54	71	70	86	91
V	M5	M5	M5	M5	M5	M6	M6
ISO TOP	F04	F04	F04	F04	F04	F05	F05
kg	0.6	0.6	0.8	1.5	2.2	3	4

Locking device 15i

Stainless steel operating lock for open or closed positions



Shown in open position



Abmessungen

DN	NPS	G	H
15/10/8	1/2" / 3/8" / 1/4"	57	66
20/15	3/4" / 1/2"	60	69
25/20	1" / 3/4"	67	75
32/25	1 1/4" / 1"	74	82
40/32	1 1/2" / 1 1/4"	89	97
50/40	2" / 1 1/2"	94	102

Easy assembly:

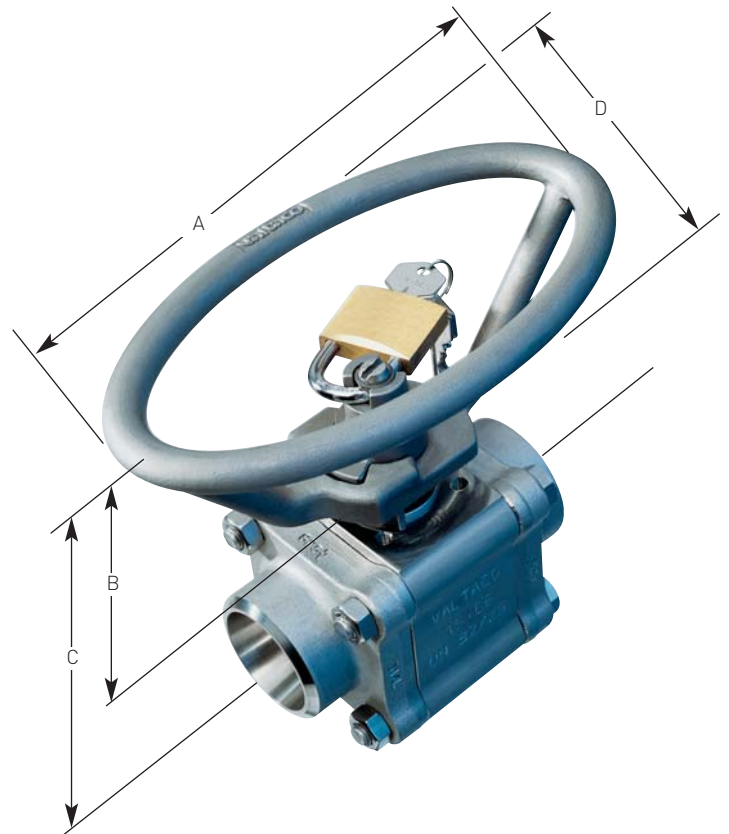
- Remove hand lever nut
- Screw on the locking unit

Oval handle 15i DN 8-50

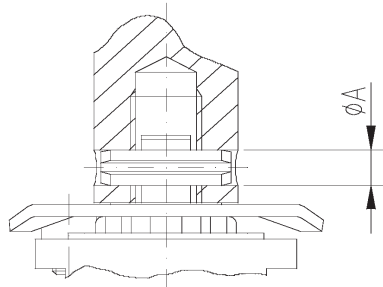
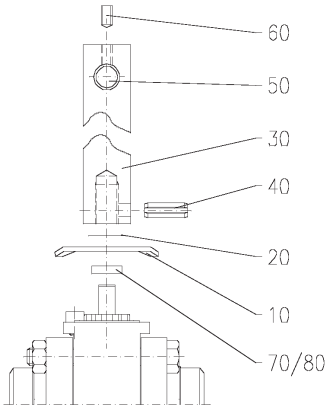
Acid-resistant steel oval handle

Dimensions

DN	NPS	A	B	C	D
15/10/8	1/2" / 3/8" / 1/4"	150	52	83	80
20/15	3/4" / 1/2"	150	52	86	80
25/20	1" / 3/4"	160	63	105	90
32/25	1 1/4" / 1"	168	65	112	93
40/32	1 1/2" / 1 1/4"	120	86	141	126
50/40	2" / 1 1/2"	230	86	146	126



Long T-hand lever for ISO-TOP DN 8-50



Item 20: Use the spacer if the hole position is obscured.

After screwing on the T-hand lever, drill dia. A and insert the dowel pin.



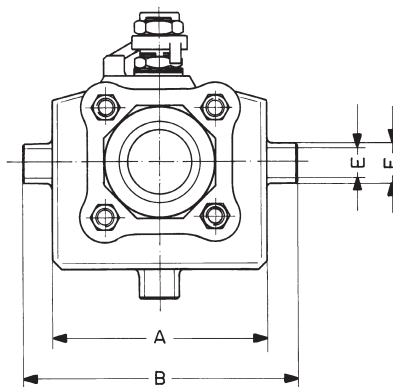
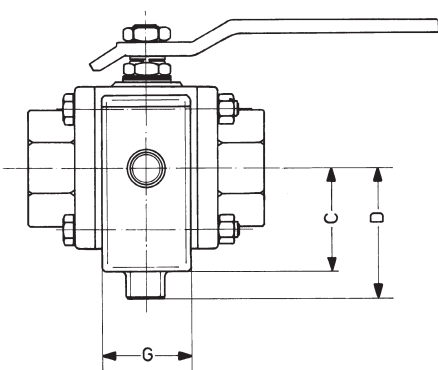
Dimensions	
Dowel pin	ϕA (to bore)
$\phi 4 \times 16$	4
$\phi 6 \times 20$	6,2
$\phi 6 \times 24$	6,2

Easy assembly:

- Remove hand lever nut
- Screw on the T-hand lever

Heating jacket 15iHM66 DN 8-50

Max. pressure for heating jacket 20 bar

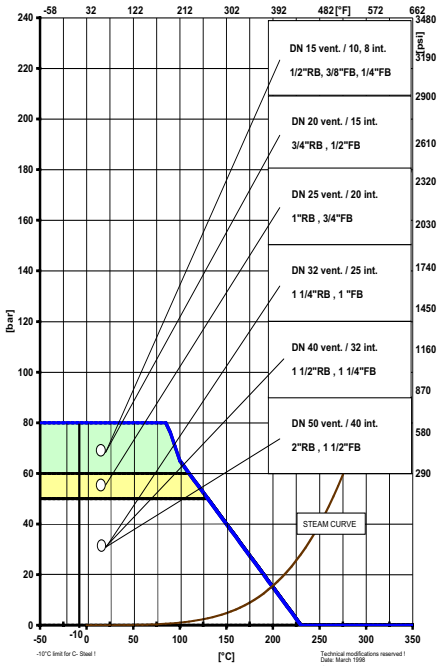


Dimensions								
DN	NPS	A	B	C	D	E	F	G
8-15	1/4" - 1/2"	62	81	30	40	1/8"	14	18
20	3/4"	70	90	35	45	1/4"	18	20
25	1"	83	105	42	53	1/4"	18	28
32	1 1/4"	93	116	46	58	3/8"	22	36
40	1 1/2"	107	130	53	65	3/8"	22	40
50	2"	117	140	58	70	1/2"	22	48

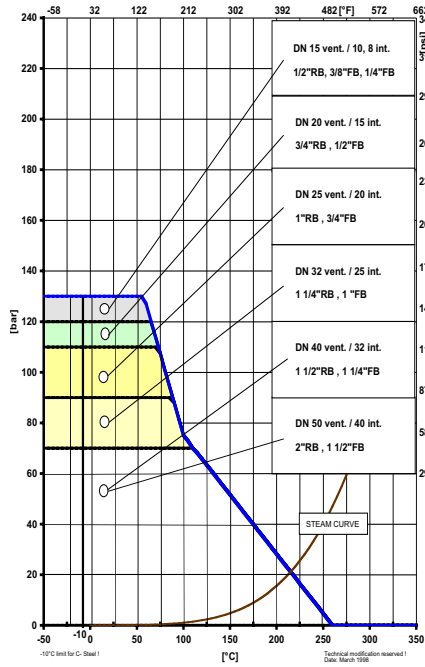


Pressure temperature selection 15i

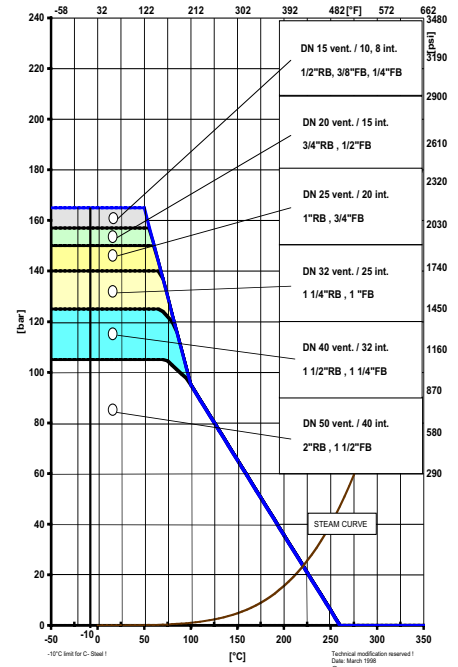
PT diagram PTFE



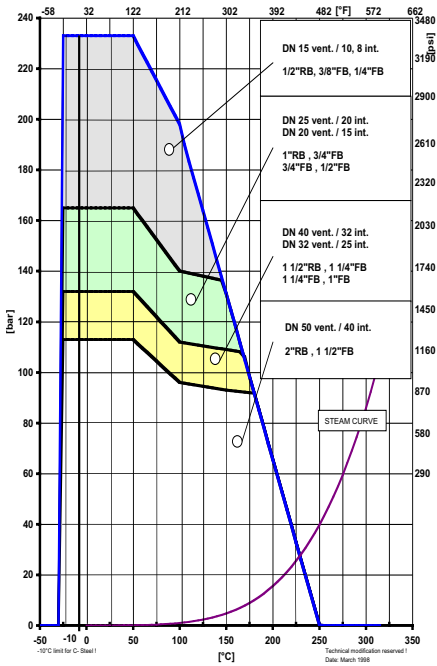
PT diagram PTFE-Fibreglass (R)



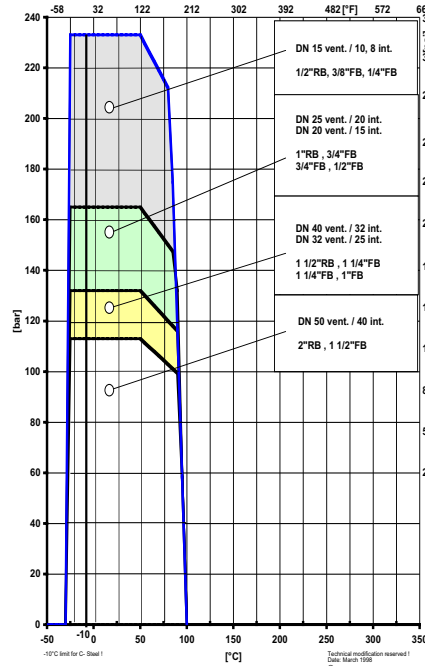
PT diagram PTFE Carbon (C)



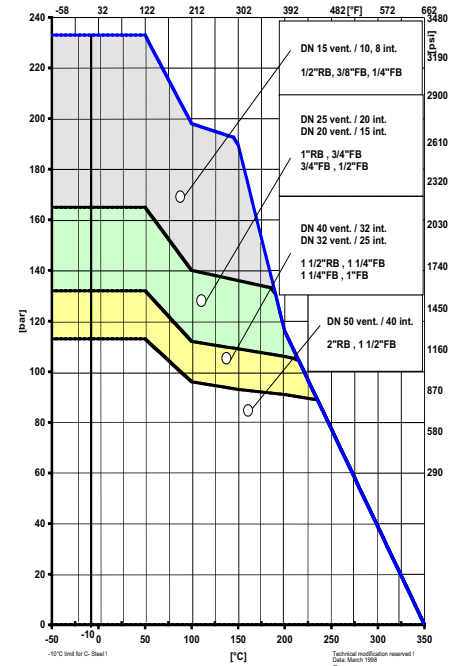
PT diagram PEEK (P)



PT diagram DELRIN (D)

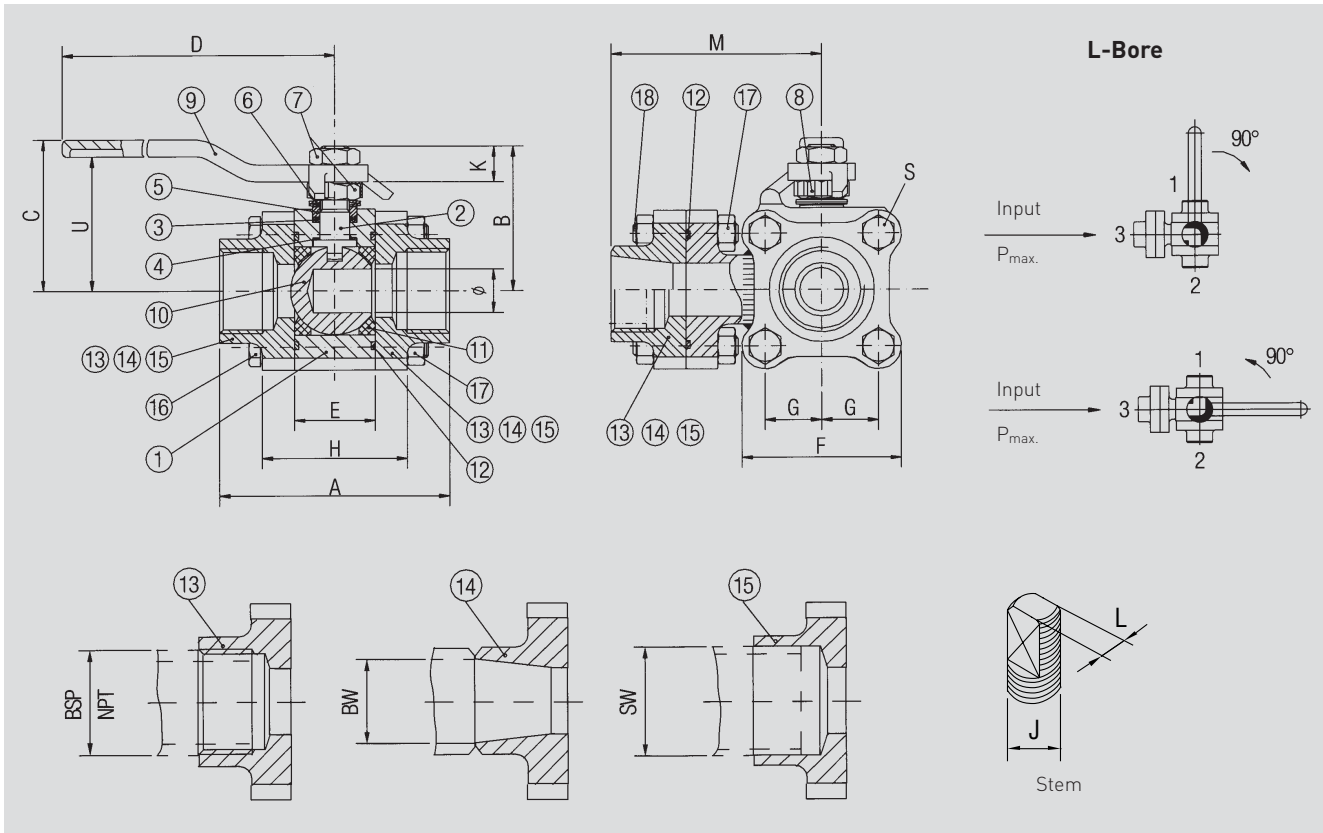


PT diagram VESPEL (V)





Reduced bore DN 15-50 (1/2" - 2")

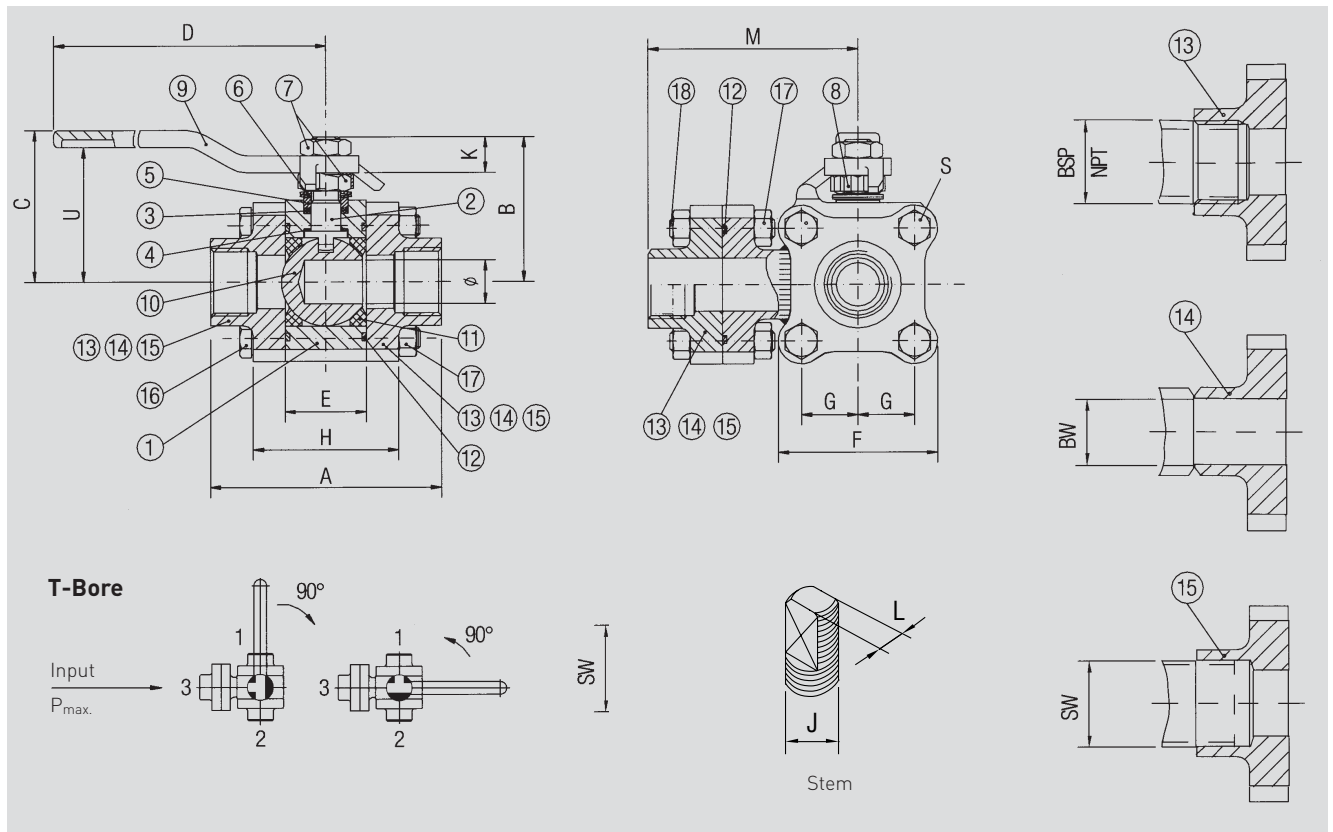


Materials		
	17i44	17i66
1 Body	A105N	AISI316
2 Stem	AISI316L	AISI316L
3 Stem seal	PTFE-carbon 33%	PTFE-carbon 33%
4 Thrust washer	PTFE-carbon 33%	PTFE-carbon 33%
5 Stem seal follower	AISI303	AISI303
6 Plate spring	AISI301	AISI301
7 Hex. nut	AISI303	AISI303
8 Lock cap	AISI304	AISI304
9 Handle	CF8M	CF8M
10 Ball	AISI316	AISI316
11 Seat	PTFE-glass 25%	PTFE-glass 25%
12 Body seal	PTFE-glass 25%	PTFE-glass 25%
13 Screwed end*	A105N	AISI316L
14 Butt weld end*	A105N	AISI316L
15 Socket weld end*	A105N	AISI316L
16 Body bolt	AISI1034	AISI304
17 Body nut	AISI1034	AISI304
18 Stud	AISI1034	AISI304

** Serie 17i66 DN 20 vent. / 15 int. / 15 vent. / 10 int. / 8 int. CF3M

Reduced bore DN 15-50 (1/2" - 2")						
DN	15	20	25	32	40	50
SIZE	1/2"	3/4"	1"	1 1/4"	1 1/2"	2"
BW	15.8	21	26.6	35.1	41	52.5
SW	22	27.5	34.5	43	49	61.5
Ø	10	12	17	23	30	35
A	66	76	90	105	115	130
B	36	42	56	60	71	76
C	41	44	58	63	74	79
D	107	107	145	145	175	175
E	20.6	24.6	31.7	41.3	48.4	56.3
F	45	51	62	68	77	87
G	16	19	22	25	29	33
H	40	46	57	67	76	86
J UNF	3/8"	3/8"	7/16"	7/16"	9/16"	9/16"
K	9	12	14	14	16	16
L	5.5	5.5	7.5	7.5	9	9
M	62	71	82	92	99	111
S	M6x47	M6x55	M8x65	M8x75	M10x90	M10x100
U	36	39	52	57	66	71
kg	0.9	1.2	2.3	2.9	3.9	5.4

Full bore DN 8-40 (1/4" - 1 1/2")



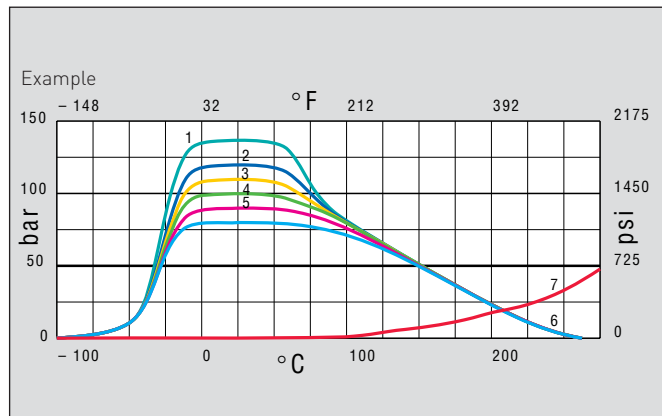
Materials		
	18i44	18i66
1 Body	A105N	AISI316
2 Stem	AISI316L	AISI316L
3 Stem seal	PTFE-carbon 33%	PTFE-carbon 33%
4 Thrust washer	PTFE-carbon 33%	PTFE-carbon 33%
5 Stem seal follower	AISI303	AISI303
6 Plate spring	AISI301	AISI301
7 Hex. nut	AISI303	AISI303
8 Lock cap	AISI304	AISI304
9 Handle	CF8M	CF8M
10 Ball	AISI316	AISI316
11 Seat	PTFE-glass 25%	PTFE-glass 25%
12 Body seal	PTFE-glass 25%	PTFE-glass 25%
13 Screwed end*	A105N	AISI316L
14 Butt weld end*	A105N	AISI316L
15 Socket weld end*	A105N	AISI316L
16 Body bolt	AISI1034	AISI304
17 Body nut	AISI1034	AISI304
18 Stud	AISI1034	AISI304

* Serie 18i66 DN 20 vent. / 15 int. / 15 vent. / 10 int. / 8 int. CF3M

Full bore DN 8-40 (1/4" - 1 1/2")							
DN	8	10	15	20	25	32	40
SIZE	1/4"	3/8"	1/2"	3/4"	1"	1 1/4"	1 1/2"
BW	9.2	12.5	15.8	21	26.6	35.1	41
SW	14	18	22	27.5	34.5	43	49
Ø	10	10	12	17	23	30	35
A	66	66	76	90	105	115	130
B	36	36	42	56	60	71	76
C	41	41	44	58	63	74	79
D	107	107	107	145	145	175	175
E	20.6	20.6	24.6	31.7	41.3	48.4	56.3
F	45	45	51	62	68	77	87
G	16	16	19	22	25	29	33
H	40	40	46	57	67	76	86
J UNF	3/8"	3/8"	3/8"	7/16"	7/16"	9/16"	9/16"
K	9	9	12	14	14	16	16
L	5.5	5.5	5.5	7.5	7.5	9	9
M	62	62	71	82	92	99	111
S	M6x47	M6x47	M6x55	M8x65	M8x75	M10x90	M10x100
U	36	36	39	52	57	66	71
kg	0.9	0.9	1.2	2.3	2.9	3.9	5.8

Diagrams ball valve 17i + 18i

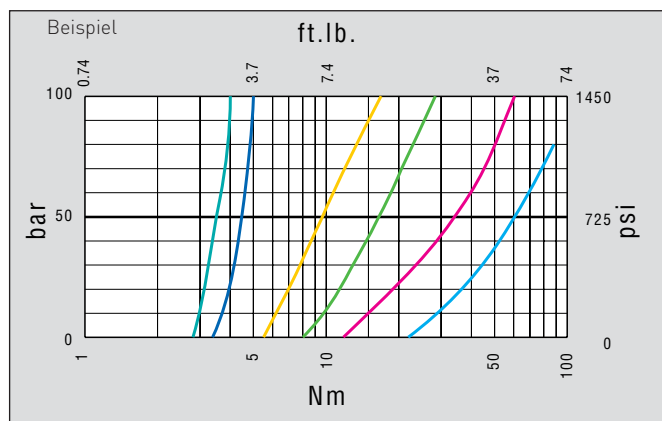
PT diagram



Legend

- 1 ■ DN 15 vent. RB / 10 int. FB / 8 int. FB
- 2 ■ DN 20 vent. RB / 15 int. FB
- 3 ■ DN 25 vent. RB / 20 int. FB
- 4 ■ DN 32 vent. RB / 25 int. FB
- 5 ■ DN 40 vent. RB / 32 int. FB
- 6 ■ DN 50 vent. RB / 40 int. FB
- 7 ■ Steam

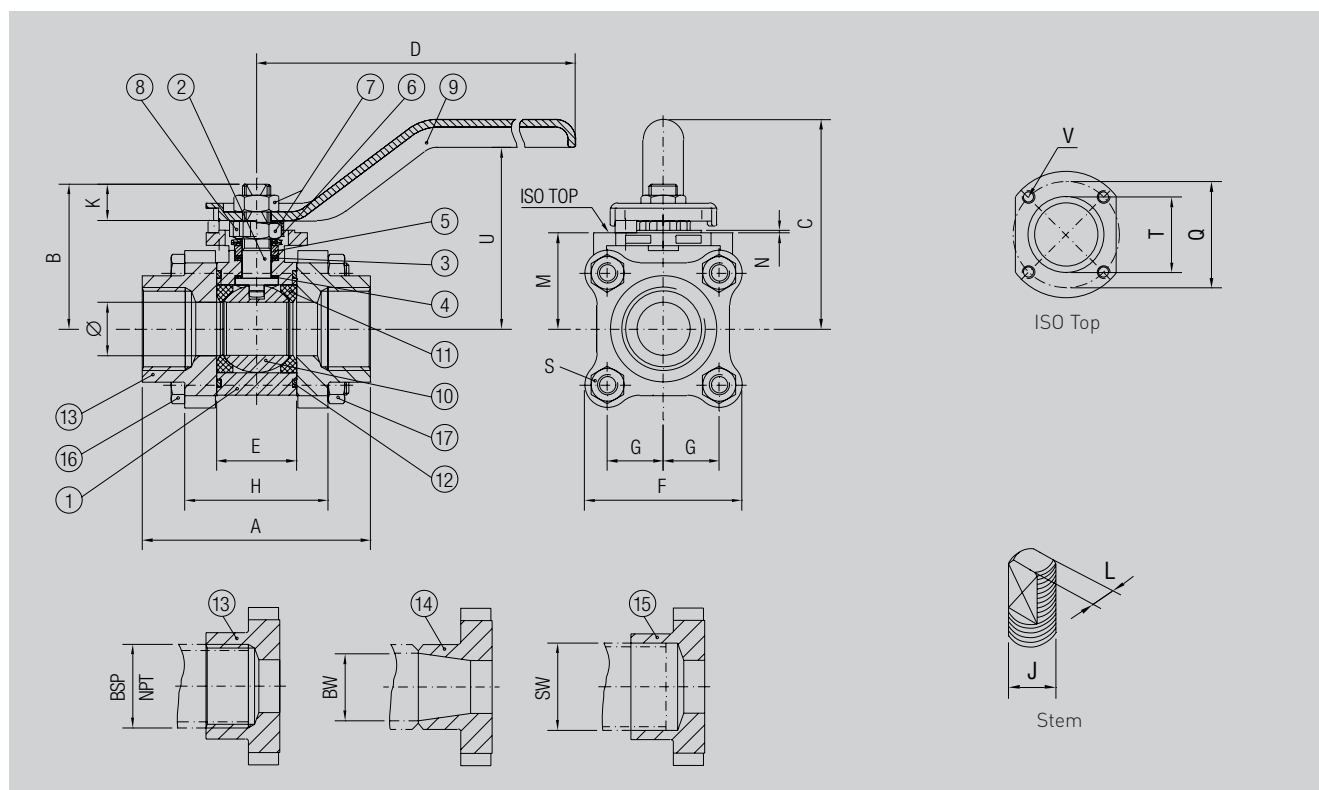
Breakaway torques



These diagrams are for PTFE & glass seats



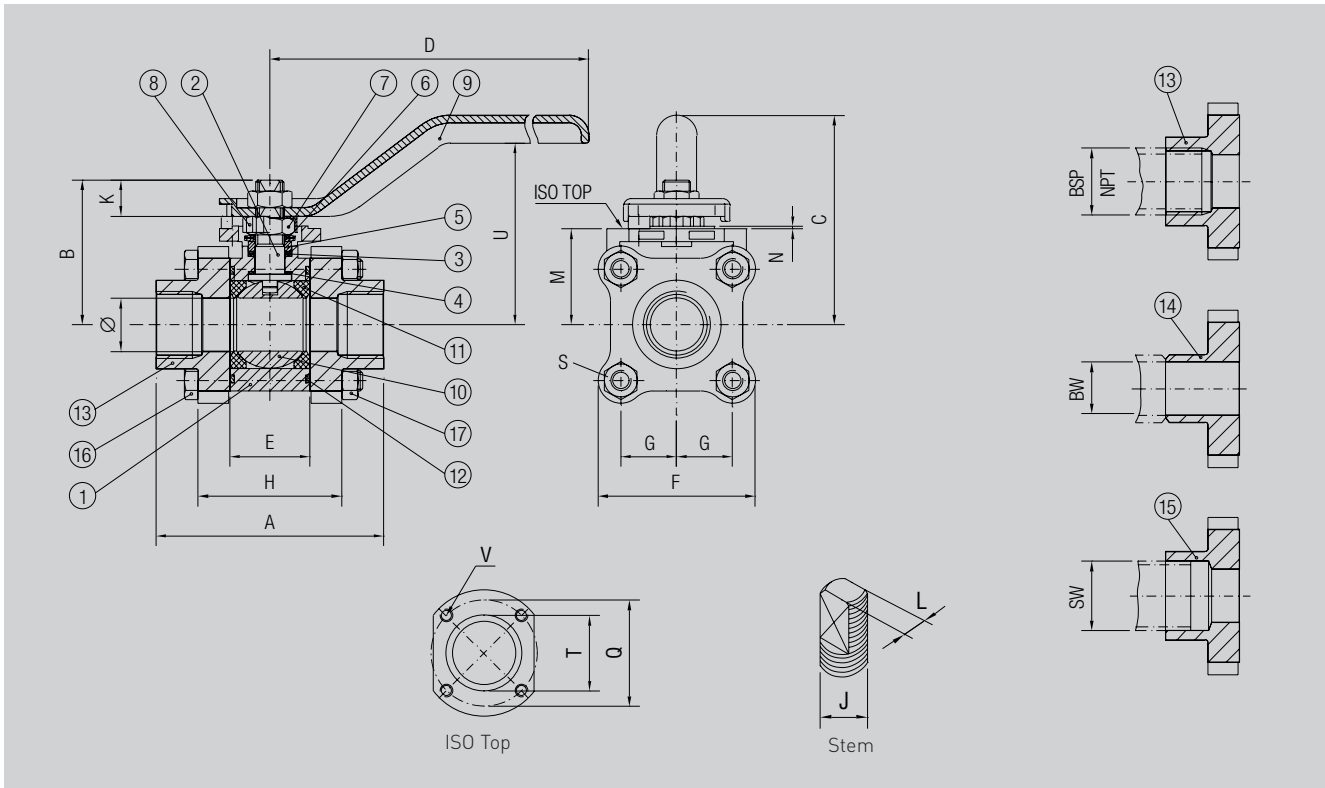
Reduced bore DN 15-50 (1/2" - 2")



Reduced bore DN 15-50 (1/2" - 2")

DN	15	20	25	32	40	50
SIZE	1/2"	3/4"	1"	1 1/4"	1 1/2"	2"
BW	15.8	21	26.6	35.1	41	52.5
SW	22	27.5	34.5	43	49	61.5
Ø	11	14	21	25	32	38
A	66	76	90	105	115	130
B	36	42	56	60	71	76
C	62	65	82	81	101	106
D	150	150	175	175	200	200
E	20.6	24.6	31.7	41.3	48.4	56.3
F	45	51	62	68	77	87
G	16	19	22	25	29	33
H	40	46	57	67	76	86
J UNF	3/8"	3/8"	7/16"	7/16"	9/16"	9/16"
K	9	12	14	14	16	16
L	5.5	5.5	7.5	7.5	9	9
M	27	32	38	35	41	46
N	1	1	1	2	2	2
Q	42	42	42	42	50	50
S	M6x45	M6x55	M8x65	M8x75	M10x90	M10x100
T	30	30	30	30	35	35
U	51	54	71	70	86	91
V	M5	M5	M5	M5	M6	M6
ISO TOP	F04	F04	F04	F04	F05	F05
kg	0.6	0.8	1.5	2.2	3.4	4.2

Full bore DN 8-40 (1/4" - 1 1/2")



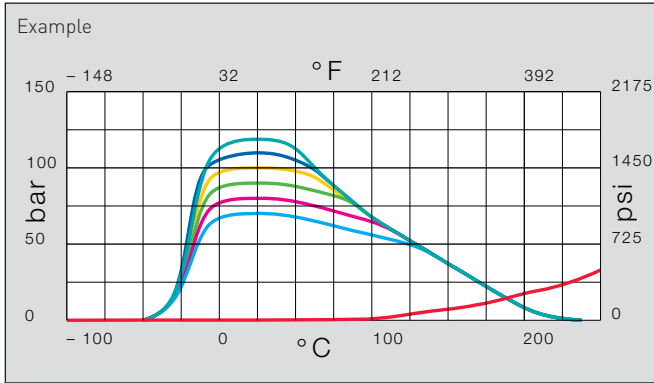
Materials		1644	1666
1	Body	1.0619N	1.4408
2	Valve stem	1.4435	1.4435
3	Stem seal	PTFE-carbon	PTFE-carbon
4	Thrust washer	PTFE-carbon	PTFE-carbon
5	Thrust collar	1.4305	1.4305
6	Plate spring	1.4310	1.4310
7	Handle nut	1.4305	1.4305
8	Retaining cap	1.4301	1.4301
9	Hand lever	1.4408	1.4408
10	Ball	1.4401	1.4401
11	Seat	PTFE	PTFE
12	Body seal	PTFE-glass	PTFE-glass
13	Threaded connection	1.0619N	1.4404
14	Butt weld connection	1.0619N	1.4404
15	Socket weld connection	1.0619N	1.4404
16	Body nut	8.8 galv.	A2-70
17	Bolt	8.8 galv.	A2

Full bore DN 8-40 (1/4" - 1 1/2")							
DN	8	10	15	20	25	32	40
SIZE	1/4"	3/8"	1/2"	3/4"	1"	1 1/4"	1 1/2"
BW	9.2	12.5	15.8	21	26.6	35.1	41
SW	14	18	22	27.5	34.5	43	49
Ø	11	11	14	21	25	32	38
A	66	66	76	90	105	115	130
B	36	36	42	56	60	71	76
C	62	62	65	82	81	101	106
D	150	150	150	175	175	200	200
E	20.6	20.6	24.6	31.7	41.3	48.4	56.3
F	45	45	51	62	68	77	87
G	16	16	19	22	25	29	33
H	40	40	46	57	67	76	86
J UNF	3/8"	3/8"	3/8"	7/16"	7/16"	9/16"	9/16"
K	9	9	12	14	14	16	16
L	5.5	5.5	5.5	7.5	7.5	9	9
M	27	27	32	38	35	41	46
N	1	1	1	1	2	2	2
Q	42	42	42	42	42	50	50
S	M6x47	M6x47	M6x55	M8x65	M8x75	M10x90	M10x100
T	30	30	30	30	30	35	35
U	51	51	54	71	70	86	91
V	M5	M5	M5	M5	M5	M6	M6
ISO TOP	F04	F04	F04	F04	F04	F05	F05
kg	0.6	0.6	0.8	1.5	2.2	3.4	4.2



Diagrams ball valve 16

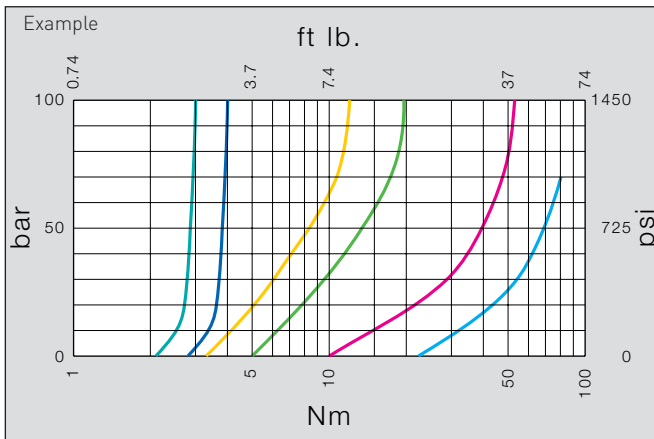
PT diagram



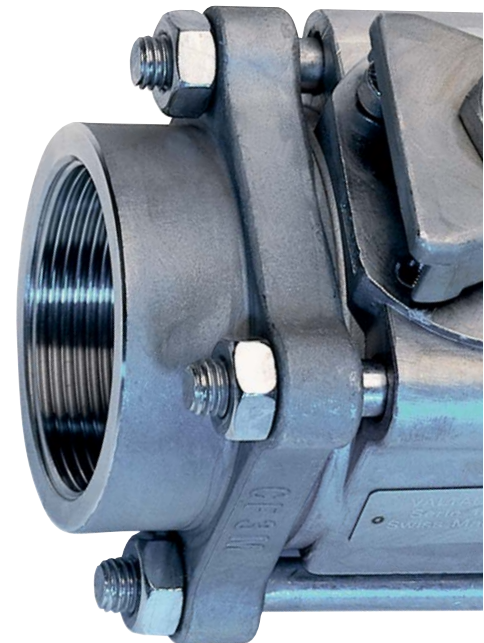
Legend

- 1 ■ DN 15 vent. RB / 10 int. FB / 8 int. FB
- 2 ■ DN 20 vent. RB / 15 int. FB
- 3 ■ DN 25 vent. RB / 20 int. FB
- 4 ■ DN 32 vent. RB / 25 int. FB
- 5 ■ DN 40 vent. RB / 32 int. FB
- 6 ■ DN 50 vent. RB / 40 int. FB
- 7 ■ Steam

Breakaway torques

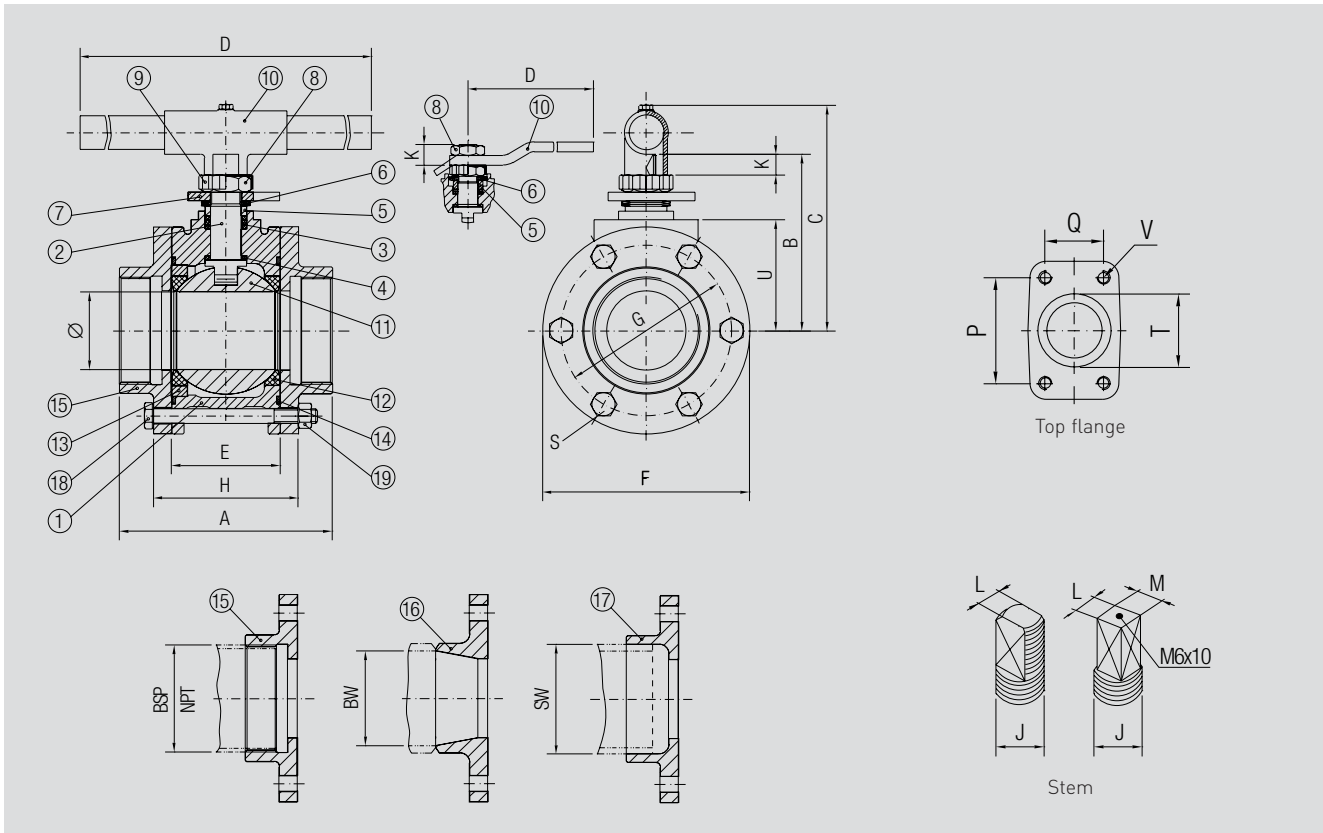


These diagrams are for PTFE & glass seats





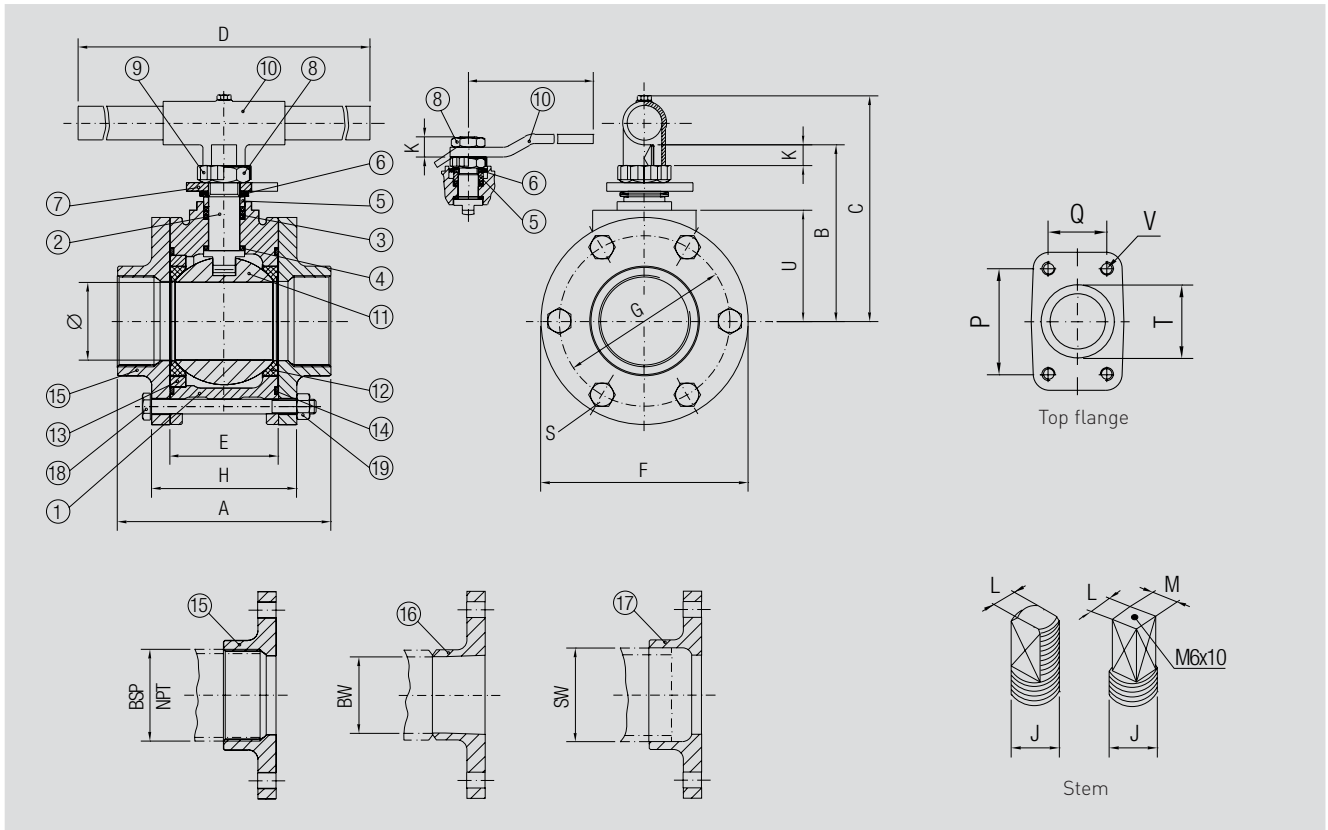
Reduced bore DN 65-150 (2 1/2" - 6")



Materials		
	2644	2666
1 Body	WCB	CF8M
2 Stem	AISI316L	AISI316L
3 Gland packing	Graphite	Graphite
4 Thrust washer	PTFE-carbon	PTFE-carbon
5 Stem seal follower	AISI303	AISI303
6 Plate spring	AISI303	AISI303
7 Stop Plate	AISI316L/CF8M	AISI316L/CF8M
8 Handle nut	AISI303	AISI303
9 Lock cap	AISI304	AISI304
10 Handle	CF8M	CF8M
11 Ball	CF8M	CF8M
12 Seat	PTFE	PTFE
13 Centre ring	CF8M	CF8M
14 Body seal	Graphite	Graphite
15 Screwed end	A105N	AISI316L
16 Butt weld end	A105N	AISI316L
17 Socket weld end	A105L	AISI316L
18 Body bolt	AISI1034	AISI304
19 Body nut	AISI1034	AISI304

Reduced bore DN 65-150 (2 1/2" - 6")				
DN	65	80	100	150
SIZE	2 1/2"	3"	4"	6"
BW	62.7	78	102.3	154.1
SW	77	90	115.5	-
Ø	50	64	82.5	100
A	146	175	215	300
B	99	145	161	176
C	102	177	193	208
D	175	500	500	500
E	71.5	89	108.5	135
F	140	170	206	250
G	114	140	175	215
H	100	119	141	169
J	M16x1.5	UNF 1"	UNF 1"	UNF 1"
K	16	23	23	23
L	11	19	19	19
M	-	21	21	21
P	54	65	65	65
Q	25	36	45	45
S	M12x115	M12x135	M14x115	M14x185
T	38	45	45	45
U	75	91	107	126
V	M6	M8	M10	M10
kg	8.5	16	25	48

Full bore DN 50-100 (2" - 4")

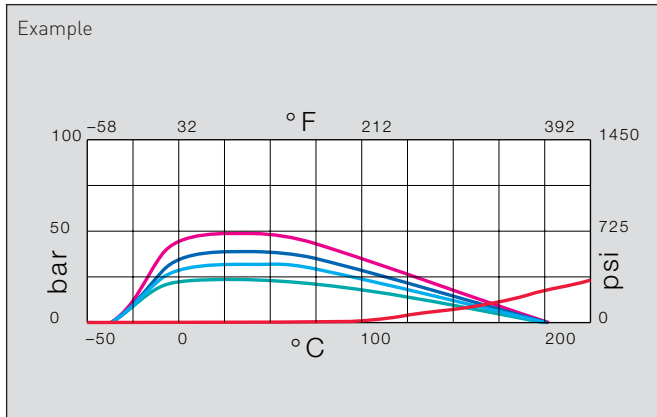


Materials		
	2644	2666
1 Body	WCB	CF8M
2 Stem	AISI316L	AISI316L
3 Gland packing	Graphite	Graphite
4 Thrust washer	PTFE-carbon	PTFE-carbon
5 Stem seal follower	AISI303	AISI303
6 Plate spring	AISI303	AISI303
7 Stop Plate	AISI316L/CF8M	AISI316L/CF8M
8 Handle nut	AISI303	AISI303
9 Lock cap	AISI304	AISI304
10 Handle	CF8M	CF8M
11 Ball	CF8M	CF8M
12 Seat	PTFE	PTFE
13 Centre ring	CF8M	CF8M
14 Body seal	Graphite	Graphite
15 Screwed end	A105N	AISI316L
16 Butt weld end	A105N	AISI316L
17 Socket weld end	A105L	AISI316L
18 Body bolt	AISI1034	AISI304
19 Body nut	AISI1034	AISI304

Full bore DN 50-100 (2" - 4")				
DN	50	65	80	100
SIZE	2"	2 1/2"	3"	4"
BW	52.5	62.7	78	102.3
SW	61.5	77	90	115.5
Ø	50	64	82.5	100
A	146	175	215	300
B	99	145	161	176
C	102	177	193	208
D	175	500	500	500
E	71.5	89	108.5	135
F	140	170	206	250
G	114	140	175	215
H	100	119	141	169
J	M16x1.5	UNF 1"	UNF 1"	UNF 1"
K	16	23	23	23
L	11	19	19	19
M	-	21	21	21
P	54	65	65	65
Q	25	36	45	45
S	M12x115	M12x135	M14x115	M14x185
T	38	45	45	45
U	75	91	107	126
V	M6	M8	M10	M10
kg	8.5	16	25	48

Diagrams ball valve 26 PN 64

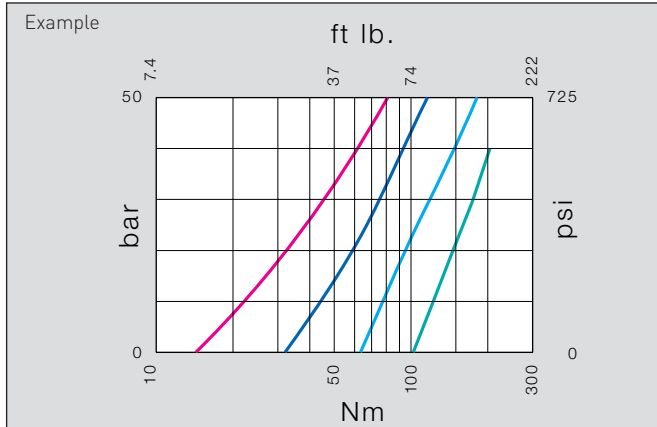
PT diagram



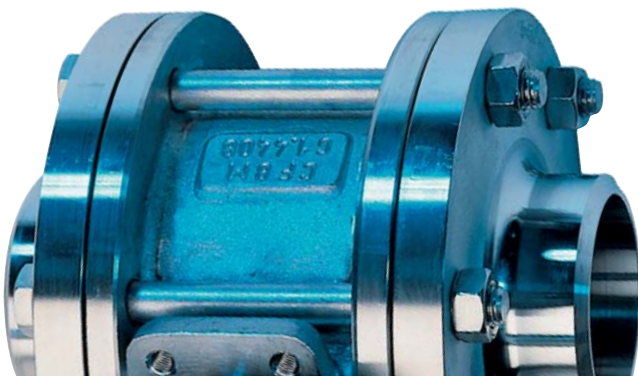
Legend

- DN 65 vent. RB / 50 int. FB
- DN 80 vent. RB / 65 int. FB
- DN 100 vent. RB / 80 int. FB
- DN 150 vent. RB / 100 int. FB
- Steam

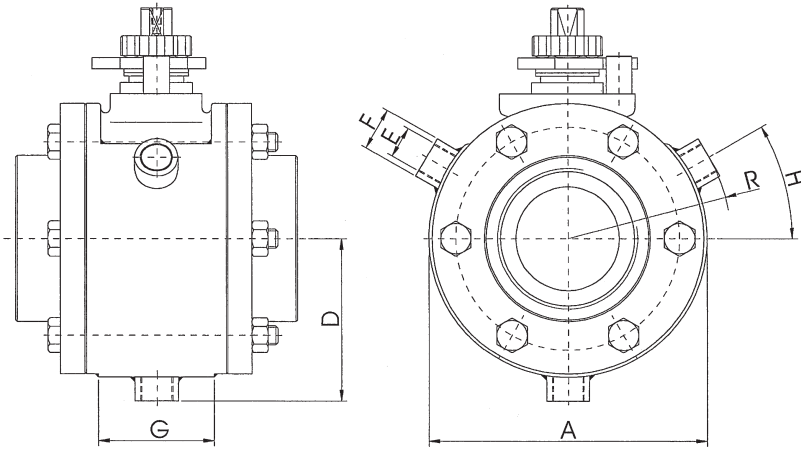
Breakaway torques



These diagrams are for PTFE & glass seats



Heating jacket 26HM66 DN 50-150



Dimensions								
DN	NPS	A	D	E	F	G	H	R
65/50	2 1/2" / 2"	145	88	1/2"	27	60	30°	88
80/65	3" / 2 1/2"	175	102	1/2"	27	75	30°	102
100/80	4" / 3"	211	121	1/2"	27	90	30°	121
150/100	6" / 4"	255	143	1/2"	27	115	30°	143



Swiss Made

For more than 50 years, the SWISS MADE Logo, the white crossbow on red background, stands for precision and top quality, of distinctive mark for goods of Swiss production. The SWISS VALVE ball valves are designed and manufactured in Switzerland.



Copyright SwissValve
All data in this literature are subject to change without notice · 01/2006

Sales & Marketing Office

Swiss Valve AG
Phone +41 (0)61 975 10 00

Engineering & Manufacturing
Fax +41 (0)61 975 10 09

Neumattstrasse 6
info@swissvalve.ch

CH-4450 Sissach
www.swissvalve.ch