

## Preparation of compressed air ► Maintenance units and components

### Oil separator, Series MU1

► G 1/2 - G 1



00106980

Version	filter silencer
Mounting orientation	vertical
Working pressure min./max.	0 bar / 10 bar
Medium	Compressed air Neutral gases
Ambient temperature min./max.	-10°C / +60°C
<b>Materials:</b>	
Housing	Aluminum
Filter end cap	Steel
Reservoir	Polyoxymethylene
Oil pan	Polyoxymethylene

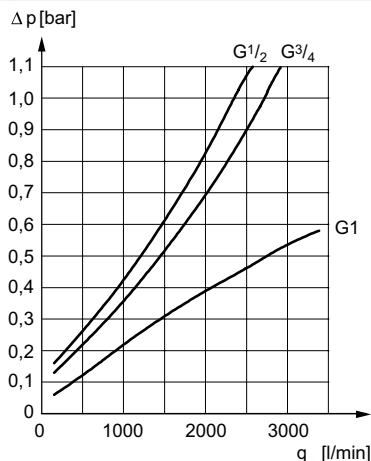
#### Technical Remarks

- The pressure dew point must be at least 15 °C under ambient and medium temperature and may not exceed 3 °C.
- Mounting with mounting bracket 1821336021
- max. residual oil content at the outlet: 0.01 mg/m<sup>3</sup>

	Port	Qn [l/min]	Reservoir	Weight [kg]	Part No.
	G 1/2	2500	Polyoxymethylene	0.735	<b>0821303053</b>
	G 3/4	3000		0.7	<b>0821303055</b>
	G 1	3500		1.25	<b>0821303054</b>

Nominal flow with secondary pressure 6,3 bar at  $\Delta p = 1$  bar  
 Filter efficiency: 99.99%  
 Silencer >40 db(A), working pressure 5 bar, Qn= 2000 l/min, 1 m distance

#### Flow rate characteristic



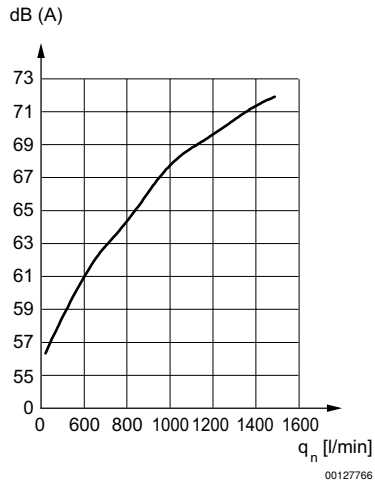
00127765

$\Delta p$  = differential pressure;  $q_n$  = nominal flow

**Oil separator, Series MU1**

▶ G 1/2 - G 1

noise emission

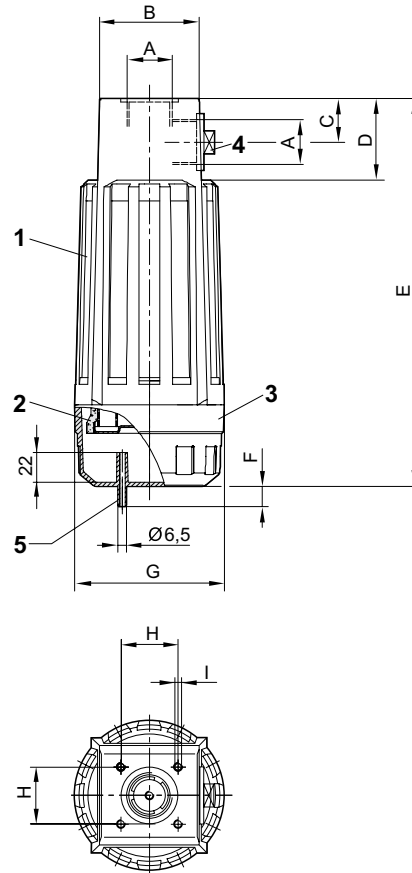


$q_n$  = nominal flow

**Oil separator, Series MU1**

► G 1/2 - G 1

**Dimensions**



00127764

- 1) Housing
- 2) microfilter element
- 3) drip container
- 4) plugs
- 5) Tubing connection

A1	A	B	C	D	E	F	G	H	I				
G 1/2	G 1/2	62	26	48	200	15	90	42	M6				
G 3/4	G 3/4	62	26	48	200	15	90	42	M6				
G 1	G 1	73	32	60	285	15	110	42	M6				