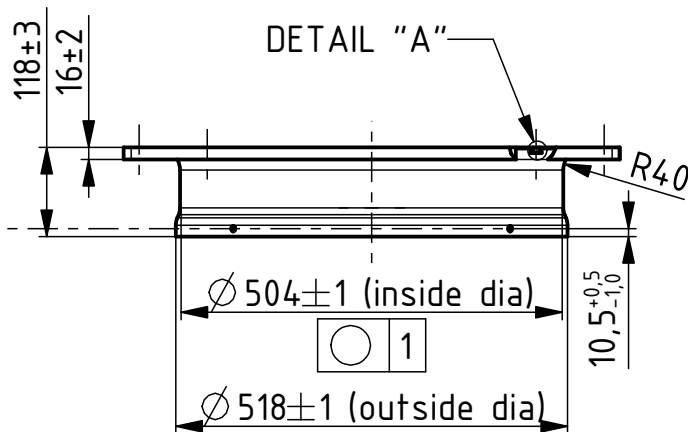
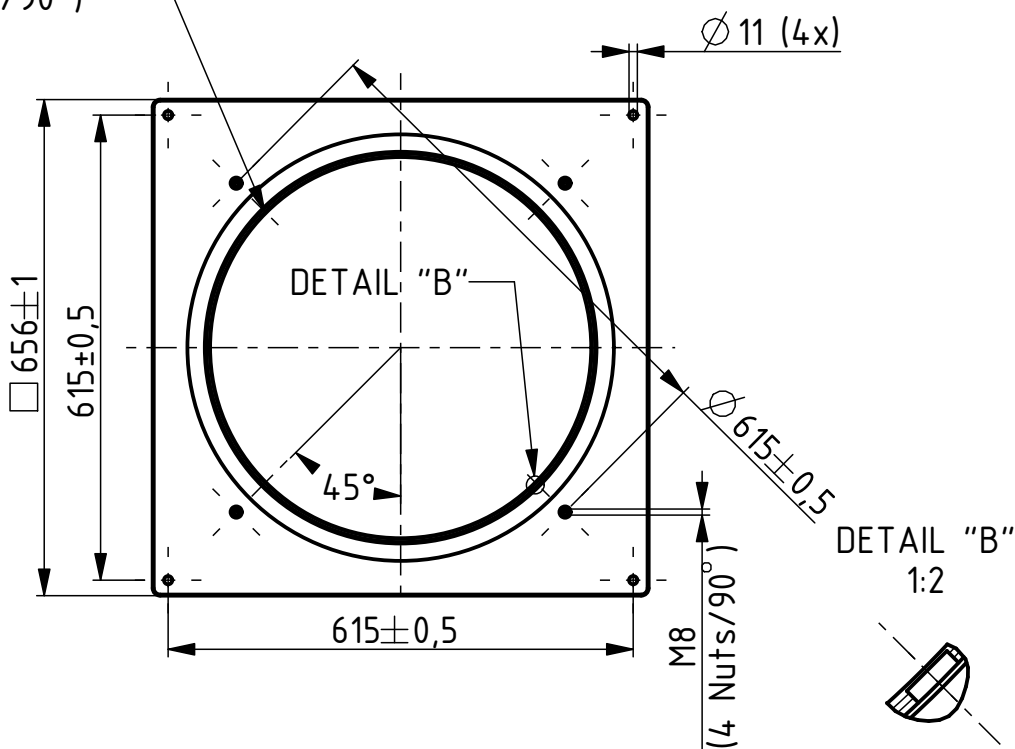


Vsak prenos tretjim osebam in uporaba v nedogovorjene namene ni dovoljen.  
 This document must not be copied without our written permission and/or transferred to a third party for any unauthorized purpose.

Fixing points M6  
(4 Nuts/90°)



0300-6-7089 Barvan/Painted



NETOLERIRANE MERE  
UNTOLERANCED DIM.

ISO 2768-m

MERILO/FORMAT

1:10 / A4



POVRSINSKA OBD.  
SURFACE TEXTURE

MATERIAL

Fe P06G / 1,5mm

Izdano

RISAL

DATUM

PODPIS

NAZIV  
TITLE

MONTAŽNA PLOŠČA  
INLET

PROJEKTIRAL

15-Mar-2005

Matej Š.

POTRDL  
ROTOMATIKA MOTORS

POTRDL  
SPE LIVARSTVO

POTRDL  
SPE LAMELE

POTRDL  
ROTOMATIKA FANS

POTRDL

KODA  
CODE

0300-6-7090  
0300-6-7090

VERZIJA:  
REV:

AA

LIST:  
SHEET:

1

OD:  
OF:

1

1	048/05	15-Mar-2005	Matej Š.
ST.	ST.SPR.	DATUM	PODPIS

1

2

3

4