



Quality Parts and Solutions

Expert advice, immediate availability, fast delivery



HVAC SYSTEM SPECIALISTS AT YOUR SERVICE



Are you looking for the most advanced and efficient air conditioning services and solutions?

Trane is a full range service solutions provider, with in-house expertise and an extensive service network that is always on call. We provide a comprehensive parts and supplies inventory offering a variety of manufacturers' parts to service your HVAC systems and to ensure optimal operation. With Trane Services you will always have the right parts, at the right place, at the right time.

Six Thousand Five Hundred Parts Available Within Forty-Eight Hours

From precision-crafted original Trane items to generic parts from other suppliers, **we carry a wide range of items with 6 500 parts available in 24 to 48 hours.** The selection of these stocked parts has been carefully made based on historical consumption and parts criticality. Whether you are looking for compressors, controls, electrical supplies, HVAC accessories, refrigeration components, indoor air quality filters, chemicals, or tools and test equipment, we can give you a competitive edge.

Our **inventory levels are closely monitored** so that we can provide the part you need to keep your system running smoothly. We have the right high quality parts to **install, maintain, repair, retrofit, and renovate any HVAC system** and maximize its operation during the lifetime of your building. And because we know your needs, we have developed professional kits for common maintenance and repairs to ensure successful servicing of your installation.

Selecting us as your single source supplier for original and generic parts also means you receive all your parts on site when they are needed, because you will not have ordered

them from different locations. This will increase your productivity, accelerate your purchasing and simplify your payment process.

Advice from Experts

For more than half a century, we have been in the parts business helping our customers get the most from their systems. As we also are a manufacturer, our experts know your HVAC equipment and systems inside-out. We design parts with an understanding, knowledge and expertise on how to best service and maintain the systems after installation.

With **130 sales and service locations** throughout Europe, the Middle East, Africa and India, we offer local support to the highest standards wherever your building is located. This includes engineering expertise, application assistance, service and parts.

Our highly qualified professionals provide the right solution for your specific needs, no matter what your system, budget, or brand requirements might be.



Our service team is trained to give the right technical support in the correct selection of suitable components for each service intervention. You have easy access to information about the parts and receive quick quotations: 80 % of our quotation **requests receive an answer within 24 hours.**

In response to your needs, our training centers offer modular and progressive courses that cover every aspect of air conditioning and refrigeration to help your technicians improve their servicing skills.

Safe and Secure with Fast Delivery and Installation

We have the infrastructure to find, deliver and even install the required part anywhere in the world with no or minimum downtime. We are committed to giving you the best value backed with **an advanced logistics infrastructure and a highly efficient distribution network:**

- Main Parts Center in Genk, Belgium. Strategically located near international carrier hubs, Genk Center enables late order processing with guaranteed next day delivery.
- Three additional main parts distribution centers in Turkey, the United Arab Emirates, and India to help serve you better.
- Logistic platforms in our factories.
- Local parts centers to ensure all your parts needs are fulfilled.

Our logistics teams continuously improve processes to offer fast delivery at the right place, at the right time. With 250 000 parts sent every year, our warehouse staff has a thorough knowledge of the process and products to ensure prompt service.

With an **on-line inventory management system**, we offer **real-time visibility** of inventory levels to all our sales offices so that your Trane representative can provide you with accurate information. Once you have placed your order, our on-line tracking system provides reliable shipment status.

Because it is essential for each part to reach you in perfect condition, Trane has created specific packaging to best protect parts in transit.

Access Information About Your Parts Needs with Ease

You want an efficient and reliable source for your HVAC parts, controls and supplies. We are here to answer all your questions.

The 2014 Trane Parts and Supplies catalogue offers a wide variety of parts from Trane and other renowned manufacturers.

To provide quicker answers to your needs and requirements, you now have your own **Trane Parts and Solutions Internet site: www.traneparts-emeia.com**

Flash the QR code printed on the new Parts packaging to:

- Access the online Parts and Solutions Catalogue
- Find your nearest Trane representative

Contact your nearest Trane sales office. A Trane service expert will listen to your specifications and provide the parts you require.



TRANE HVAC KIT SOLUTIONS



To better answer your needs, we have developed a greater range of professional kits for common maintenance and repairs. These kits will offer you greater peace of mind with the guarantee that you have all the parts required for a specific service intervention.

Trane HVAC kits offering

- Compressors
 - Mounting isolator kit
 - Gasket and 'o'ring kit
 - Revision kits
 - Repair kit
 - Oil line kit
 - Terminal board retrofit kit
 - Gasket kit for GP2 compressor motor change
- Trane controls
 - Wire harness adapter female kit
- Oil and refrigerant filters
 - RTAC Refrigerant filters kit
- Consumables
 - Acidity kit
 - Oil analysis kit
- CCU unit
 - Humidifier drip tray kit
 - Cylinder filter kit
- Fan coil unit
 - Electrical heater kits
 - Condensate pump kit
 - Lift pump kit
 - Housing and fan kit
- HVAC accessories
 - Ignitor burner gas kit
 - Burner fan kit
 - Retrofit centrifugal pump kit
 - Connector female kit
 - Fan motor kit
 - Motor, fan, guard kit
 - Plenum and grid kit
 - Motor assembly, grid, capacitor kit
- Rooftop unit
 - Fire thermostat kit
 - Siphon kit
 - Clogged filter detector kit
 - Electrical coil V1 kit
 - Speed variator kit
 - Fault relay kit

Please find a full description of Trane professional kits inside this catalogue.

TRANE PARTS SOLUTIONS TO UPGRADE YOUR EQUIPMENT

Your equipment needs an upgrade or maintenance?

Trane can offer you approved factory parts to meet your needs and maintain your equipment during its lifecycle:

- Compressor R'newal™
- Exchanger enhancement
- Sound reduction
- Controls upgrade
- Refrigerant retrofit
- Power factor correction

Please find a large selection of custom upgrade solutions at the end of this catalogue.

Contact us to obtain more information.



Trane leads the industry in recovering service refrigerants for re-use and environmental conservation



Progress is greener
with Ingersoll Rand

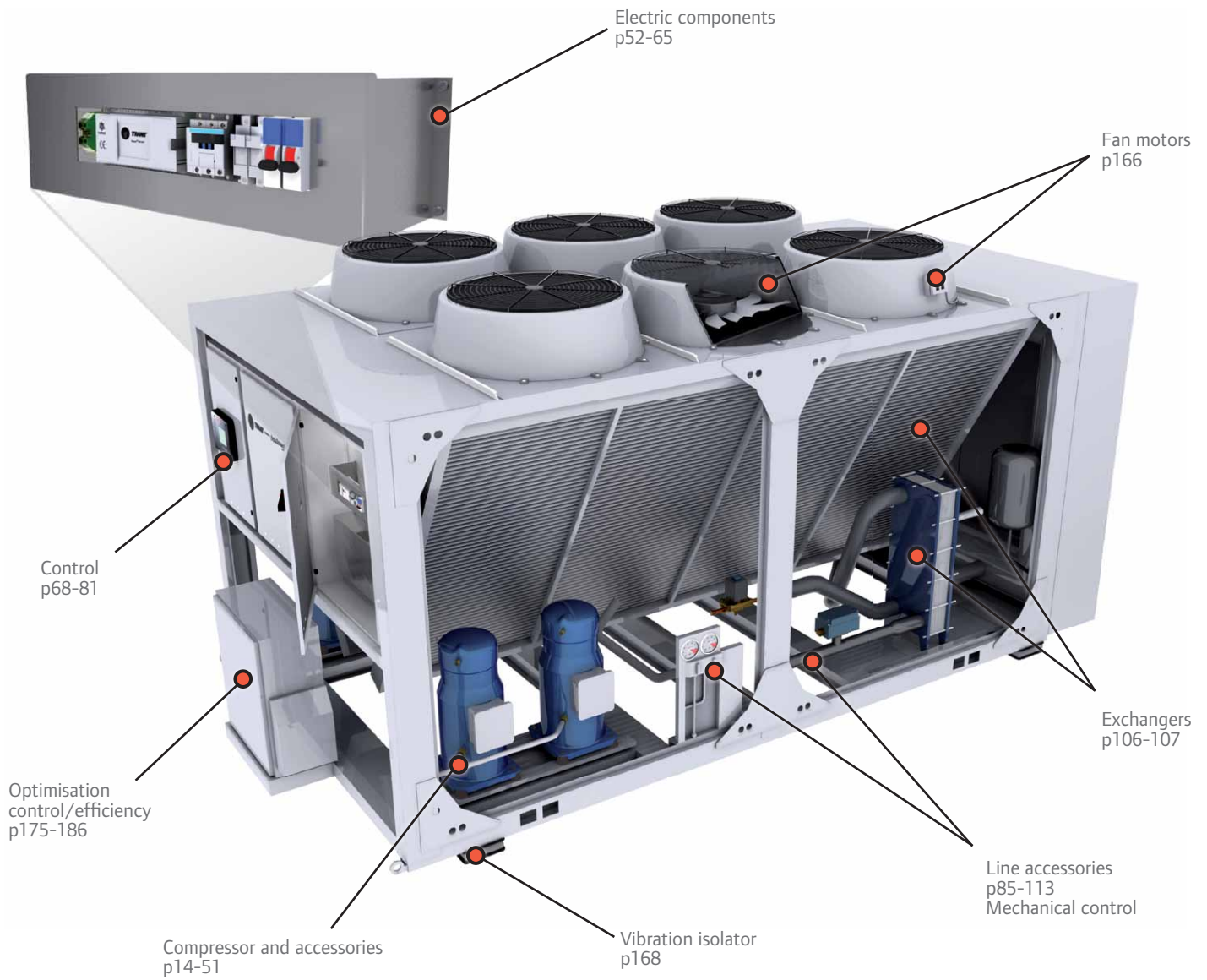
CONTENTS

1	Product views	
	Air cooled chiller	8
	Fan coil	9
	Close control unit	10
	Rooftop unit	11
	Air handling unit	12
2	Compressors	
	Product focus	13
	Hermetic reciprocating compressors	14
	Hermetic scroll compressors	22
	Manifold kits for scroll compressors	29
	Hermetic rotary compressors	30
	Semi-hermetic reciprocating compressors	31
	Semi-hermetic screw compressors	32
	Remanufactured reciprocating compressors	36
3	Compressor parts	
	CRHR	38
	CRHZ	45
	CRHE	46
4	Controls electricals	
	Disconnect switches	52
	Timers	55
	Circuit breakers	57
	Overload relays	60
	Contactors	62
	Auxiliary contacts	65
	System control mains components	66
	Trane controls	68
	Thermostats	74
	Sensors	79
	Accessories	80
	BAS	81
5	Refrigeration components	
	Mufflers	85
	Safety valves	86
	Pressure controls	87
	2-way valves	91
	Reversing valves	93
	Thermostatic expansion valves	96
	Sight glasses-brazed type	103
	Gauges	104
	Coil quotations	105
	Plate type heat exchangers	106
	Filter driers	108
	Oil and refrigerant filters for Trane units	112
6	Consumables	
	Product focus	114
	Oil analysis and acid tests	115
	Oils	116
	HVAC maintenance, cleaners and treatments	120
7	Indoor air quality	
	Throwaway filters	121
	Washable filters	122
	Bag filters	123
	Fan coil filters	124
	Split systems filters	126
	Rooftop air filters	129

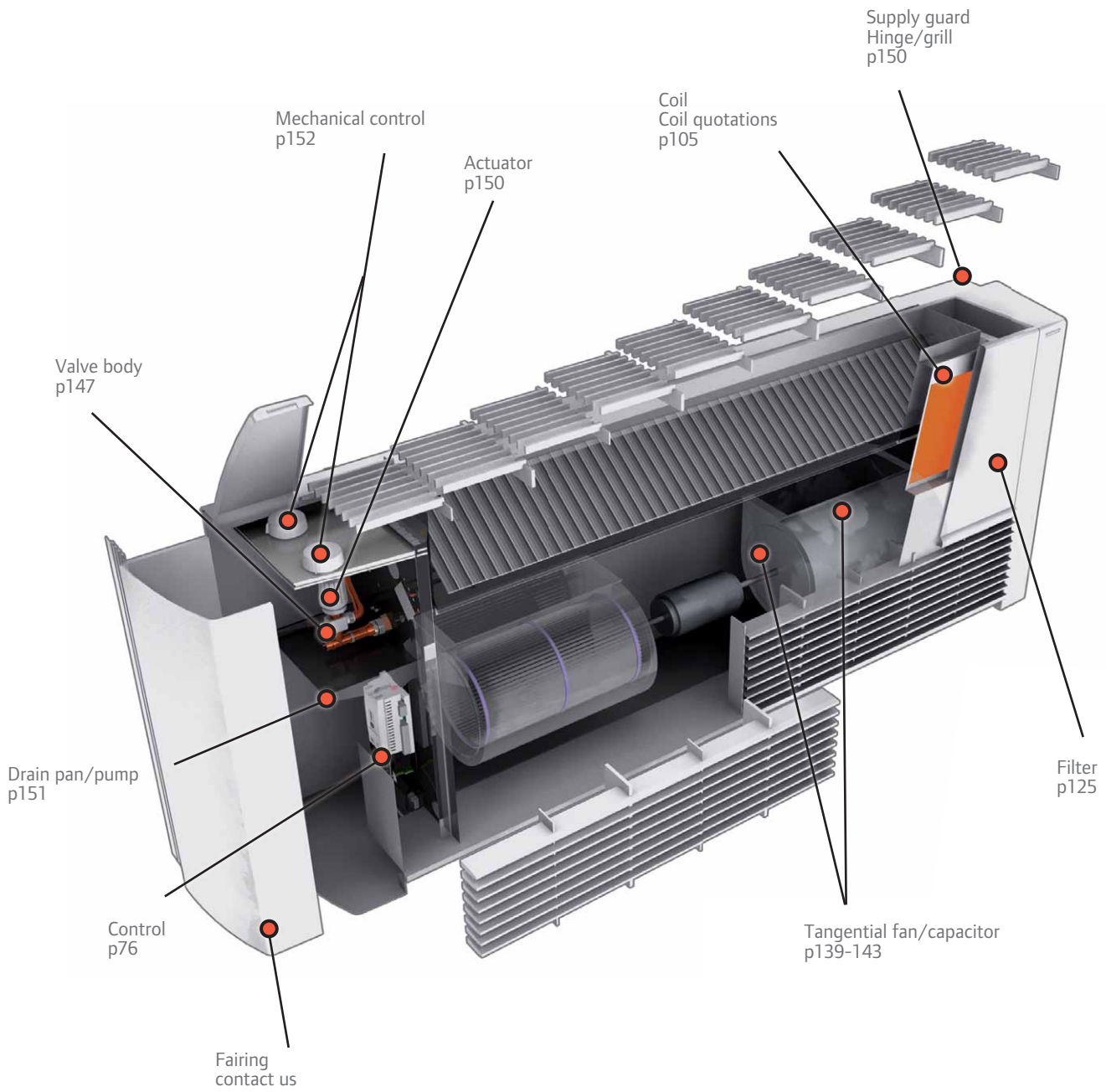
8	Close control units	
	Product view-Jupiter/Mercury	130
	Mercury	131
	Jupiter	133
	Product view-Humidifier bottle	134
	Humidifier bottle	135
	Filters	136
9	Trane unit parts	
	Product views	138
	Fan coil unit parts: fans-motors-regulating valves-actuators-condensate pumps	139
10	Motors	
	3-phase motors	155
11	HVAC accessories	
	Sheaves	157
	Belts	159
	Bushings	160
	Rooftop accessories	161
	Hydraulic: hydraulic pumps-flow switches	163
	Fan motors and wires	166
	Shock absorber	168
12	Tools	
	Refrigerant recovery	169
	Accessories	170
13	Environment	
	Product focus	171
	Test equipment	172
	Automatic tube cleaning.....	173
14	Trane Services	
	Chiller Health Check Program	175
	Trane Boost	176
	Trane Care™ Services	177
	Trane Controls Services.....	184
	Trane Intelligent Services	185
	Trane Rental Services	186
	Trane Academy.....	187
Index		
	Part number index	188
	Manufacturer number to part number index	197
Conversion table		
	Notes	203



AIR COOLED CHILLER



FAN COIL

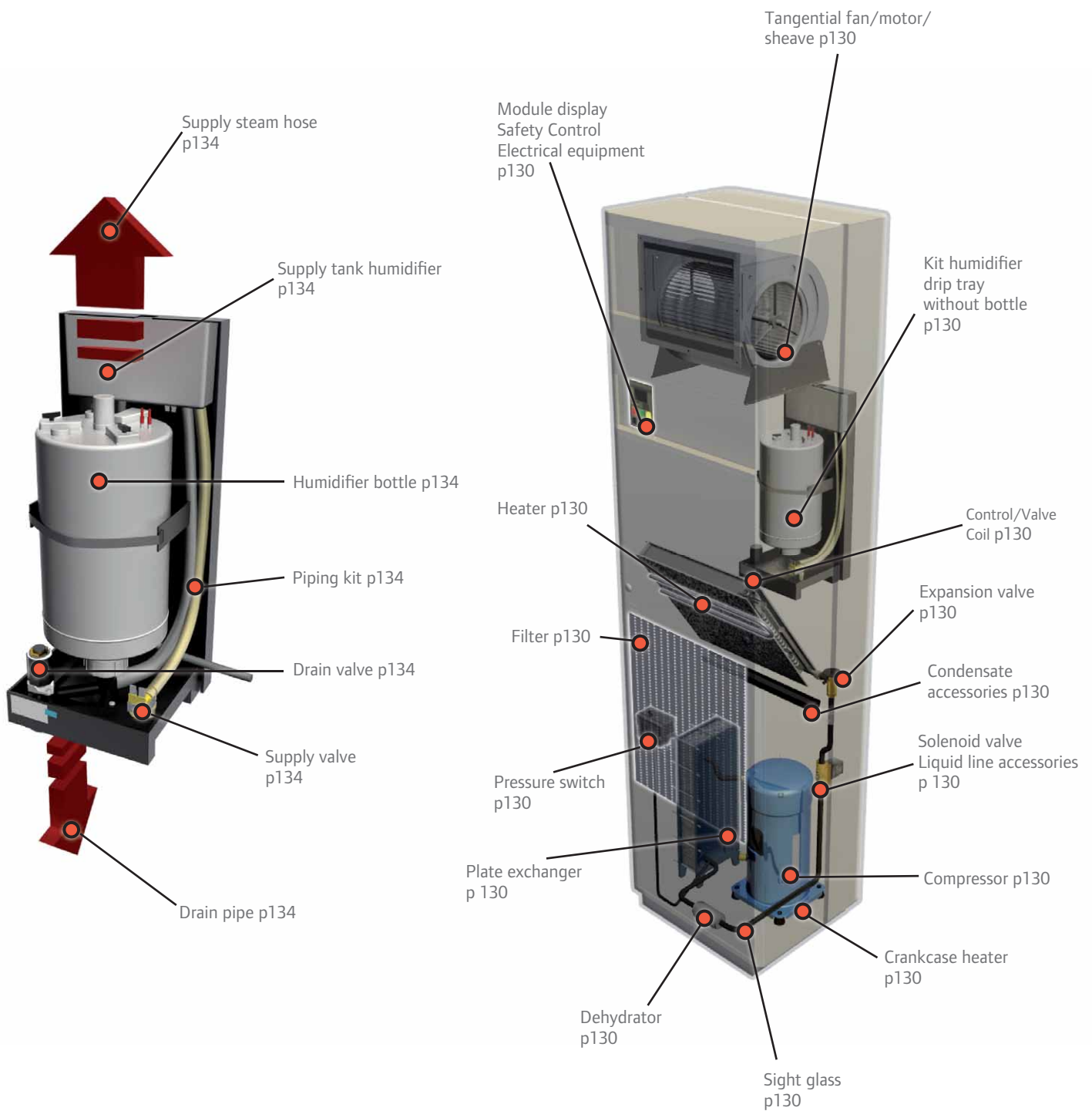


Remote control p78

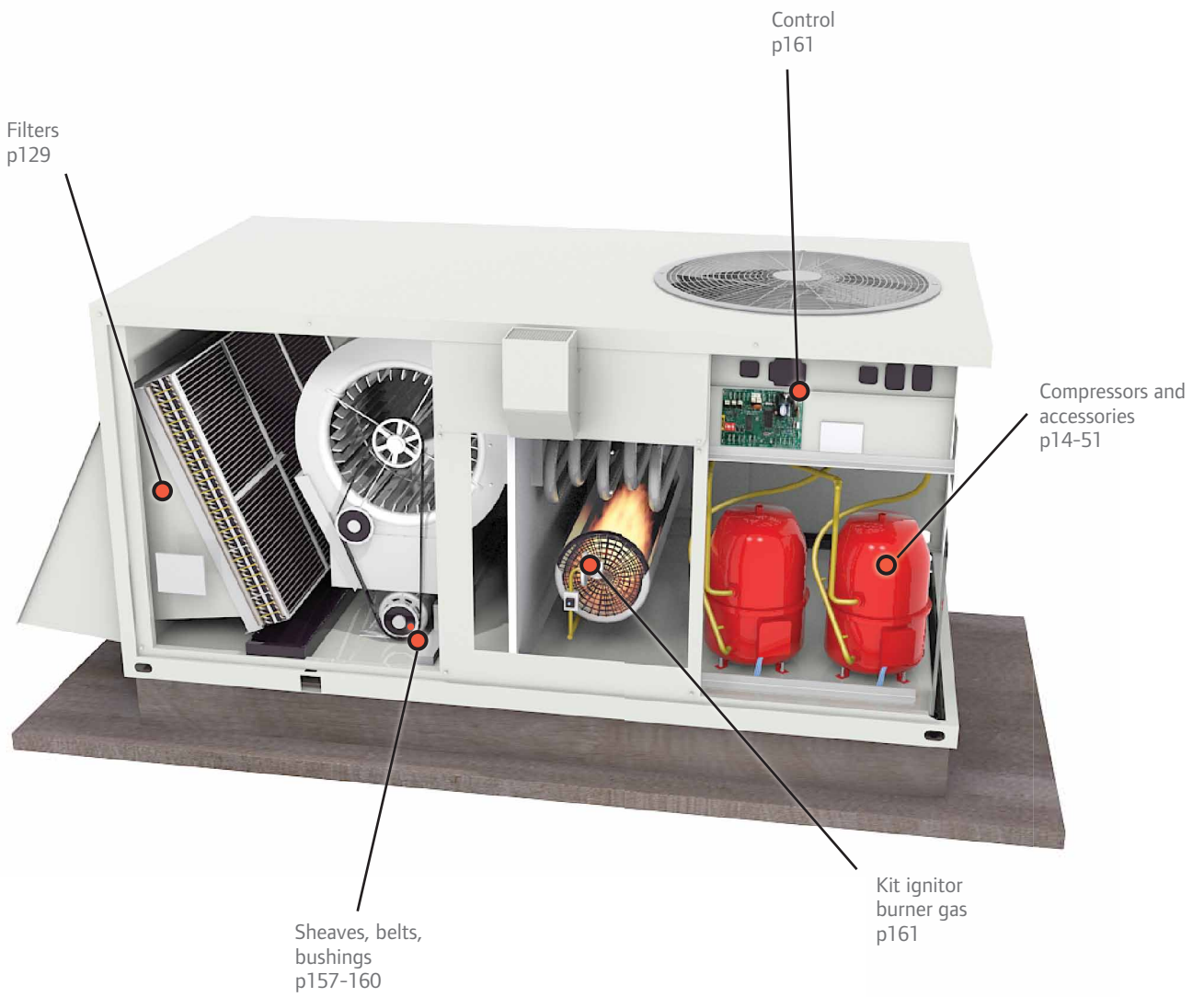


Wall thermostat p77

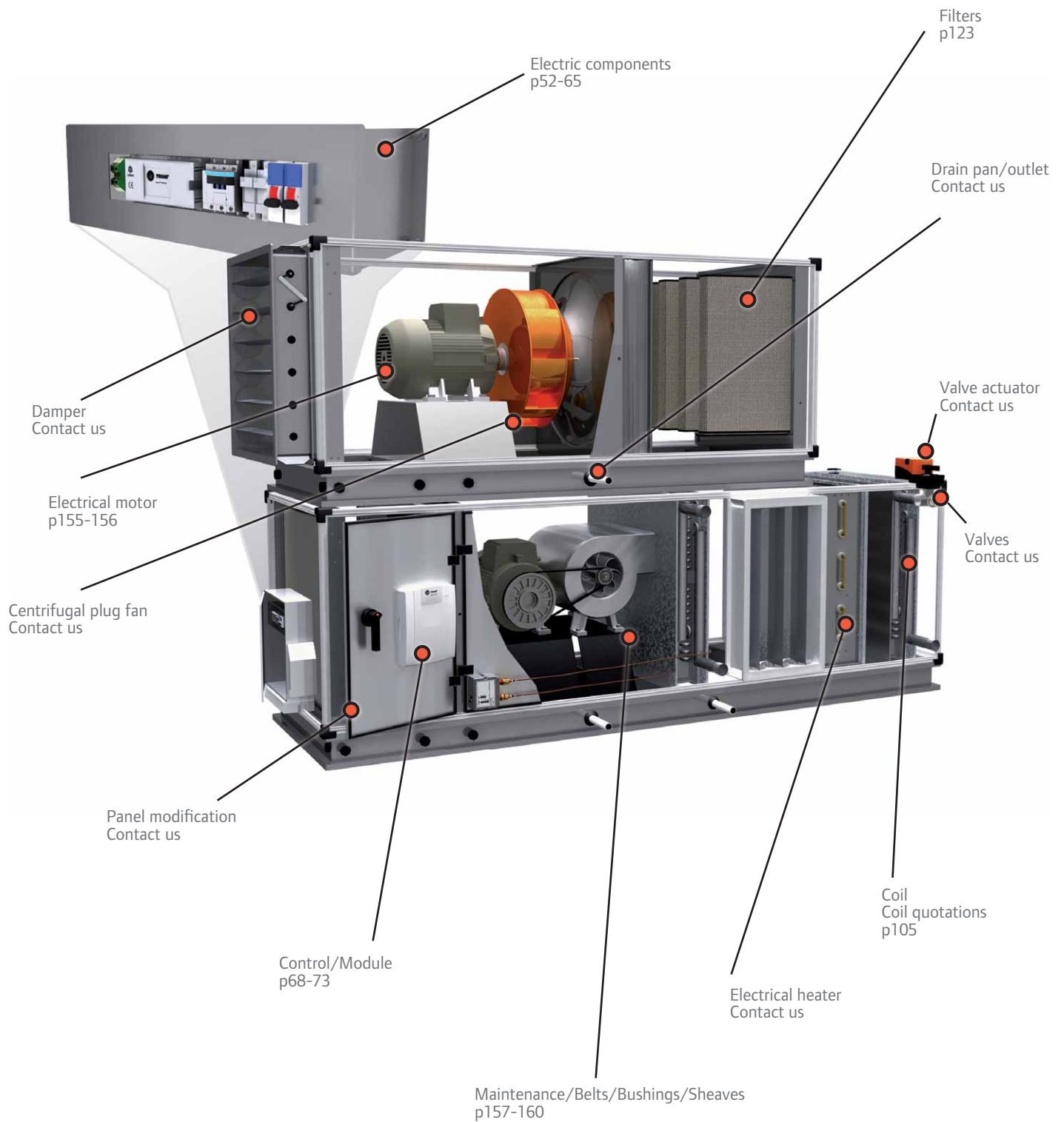
CLOSE CONTROL UNIT



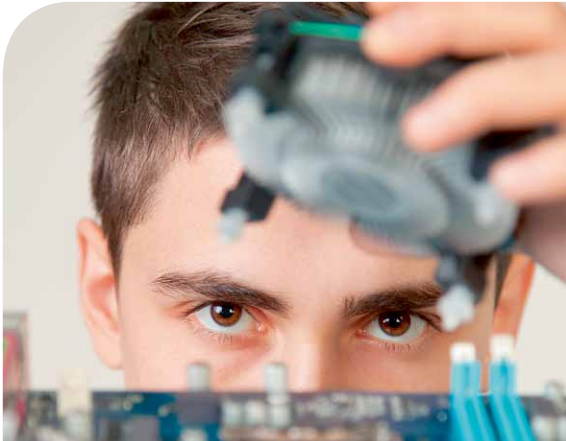
ROOFTOP UNIT



AIR HANDLING UNIT



PRODUCT FOCUS



All the know-how of a leading manufacturer and a broad range of compressors

It is important to choose the right compressor

The compressor is at the heart of the refrigerant circuit and has a direct impact on the power, performance and reliability of the system.

Trane is a leading manufacturer in the field of air conditioning and the application of rotary compressors: scroll, screw and centrifugal.

After more than 10 years of research and development, Trane has also been producing its own screw compressors since 1988.

Performance and reliability have always been the leading criteria in the development of our compressors, which cover a power range stretching from 105 to 1,600 kW.

Remanufactured screw and reciprocating compressors

Trane also offers a wide range of remanufactured semi-hermetic screw and reciprocating compressors.

They are remanufactured in strict accordance with the original assembly procedures and guarantee the same levels of service and reliability as new models.

Contact your Trane representative for more details.

Hermetic compressors

Trane also offers a broad multi-brand range of hermetic reciprocating or scroll compressors.

Hermetic reciprocating compressors:

- Trane type GP
- Danfoss type MT-MTZ
- Hermetic unit, type AE-AJ-FH-TAH-TAG

Hermetic scroll compressors:

- Trane type CSHN/CSHA
- Danfoss type SM/SZ
- Copeland type ZR



HERMETIC RECIPROCATING COMPRESSORS

MT-R22

MODEL NUMBER	COOLING CAPACITY (KW) (1)	OPTION (3)	POWER SUPPLY (V/HZ/PH) (5)	SHIPPING WEIGHT (KG)	OIL QUANTITY (L) (4)	SUCTION DIAMETER	DISCHARGE DIAMETER	SUCTION ROTALOCK VALVES (2)	DISCHARGE ROTALOCK VALVES (2)	CRANKCASE HEATERS (2)	ORDERING NUMBER
MT 18JA5	3.9	-	230/50/1	21.0	1.0	1/2"	3/8"	VAL0233E	VAL0649E	HTR0050E	COM0740E
MT 22JC5	4.9	VI	230/50/1	21.0	1.0	1/2"	3/8"	VAL0233E	VAL0649E	HTR0050E	COM0676E
MT 28JE4	6.7	VI	400/50/3	23.0	1.0	1/2"	3/8"	VAL0233E	VAL0649E	HTR0050E	COM0626E
MT 28JE5	6.7	-	230/50/1	23.0	1.0	1/2"	3/8"	VAL0233E	VAL0649E	HTR0050E	COM0741E
MT 32JF6	7.2	VI	230/50/3	24.0	1.0	5/8"	1/2"	VAL0234E	VAL0233E	HTR0050E	COM0594E
MT 32JF5	7.2	VI	230/50/1	24.0	1.0	5/8"	1/2"	VAL0234E	VAL0233E	HTR0050E	COM0595E
MT 32JF4	7.2	VI	400/50/3	25.0	1.0	5/8"	1/2"	VAL0234E	VAL0233E	HTR0050E	COM0596E
MT 36JF5	8.5	-	230/50/1	25.0	1.0	5/8"	1/2"	VAL0234E	VAL0233E	HTR0050E	COM0742E
MT 36JG6	8.5	VI	230/50/3	25.0	1.0	5/8"	1/2"	VAL0234E	VAL0233E	HTR0050E	COM0613E
MT 36JG4	8.5	VI	400/50/3	25.0	1.0	5/8"	1/2"	VAL0234E	VAL0233E	HTR0050E	COM0602E
MT 40JH6	9.3	VI	230/50/3	26.0	1.0	5/8"	1/2"	VAL0234E	VAL0233E	HTR0050E	COM0603E
MT 40JH4	9.3	VI	400/50/3	26.0	1.0	5/8"	1/2"	VAL0234E	VAL0233E	HTR0050E	COM0604E
MT 50HK6	10.9	VI	230/50/3	35.0	2.0	7/8"	3/4"	VAL0236E	VAL0235E	HTR0050E	COM0605E
MT 50HK4	10.9	VI	400/50/3	37.0	2.0	7/8"	3/4"	VAL0236E	VAL0235E	HTR0050E	COM0606E
MT 56HL4	12.5	VI	400/50/3	37.0	2.0	7/8"	3/4"	VAL0236E	VAL0235E	HTR0050E	COM0688E
MT 64HM6	14.1	VI	230/50/3	37.0	2.0	7/8"	3/4"	VAL0236E	VAL0235E	HTR0050E	COM0607E
MT 64HM4	14.1	VI	400/50/3	37.0	2.0	7/8"	3/4"	VAL0236E	VAL0235E	HTR0050E	COM0597E
MT 72HN4	15.4	VI	400/50/3	40.0	2.0	7/8"	3/4"	VAL0236E	VAL0235E	HTR0050E	COM0598E
MT 80HP6	17.6	VI	230/50/3	40.0	2.0	1"1/8	3/4"	VAL0237E	VAL0235E	HTR0050E	COM0608E
MT 80HP4	17.6	VI	400/50/3	40.0	2.0	1"1/8	3/4"	VAL0237E	VAL0235E	HTR0050E	COM0599E
MT 73HN4	18.2	VI	400/50/3	41.0	2.0	7/8"	3/4"	VAL0236E	VAL0235E	HTR0050E	COM0687E
MT 100HS6	21.5	VI	230/50/3	60.0	4.0	1"1/8	3/4"	VAL0237E	VAL0650E	HTR0050E	COM0600E
MT 100HS4	21.5	VI	400/50/3	60.0	4.0	1"1/8	3/4"	VAL0237E	VAL0650E	HTR0050E	COM0609E
MT 125HU6	28	VI	230/50/3	64.0	4.0	1"1/8	3/4"	VAL0237E	VAL0650E	HTR0050E	COM0610E
MT 125HU4	28	VI	400/50/3	64.0	4.0	1"1/8	3/4"	VAL0237E	VAL0650E	HTR0050E	COM0611E
MT 160HW6	35	VI	230/50/3	69.0	4.0	1"1/8	3/4"	VAL0237E	VAL0650E	HTR0050E	COM0612E
MT 160HW4	35	VI	400/50/3	69.0	4.0	1"1/8	3/4"	VAL0237E	VAL0650E	HTR0050E	COM0601E

(1) Duties given at 54.4°C condensing temp., 7.2°C evaporating temp., 8.5°C subcooling, 11.1°C superheat. (ARI conditions) and 50 Hz. For 60 Hz, multiply capacity by 1.2.

(2) See "MT/MTZ accessories" table.

(3) Option "VI": individual manufacturer packing with sight glass, oil equalization, mounting isolators and PTC Type 9HT5 (HTR0050E).

(4) Oil: see oil tables.

(5) Power supply: if 400/50/3, operation possible with 460/60/3.



HERMETIC RECIPROCATING COMPRESSORS

MTZ-R407C

MODEL NUMBER	COOLING CAPACITY (KW) (1)	OPTION (3)	POWER SUPPLY (V/HZ/PH) (5)	SHIPPING WEIGHT (KG)	OIL QUANTITY (L) (4)	SUCTION DIAMETER	DISCHARGE DIAMETER	SUCTION ROTALOCK VALVES (2)	DISCHARGE ROTALOCK VALVES (2)	CRANKCASE HEATERS (2)	ORDERING NUMBER
MTZ 28JE6	6.1	VI	230/50/3	23.0	1.0	1/2"	3/8"	VAL0233E	VAL0649E	HTR0050E	COM0665E
MTZ 32JF6	6.9	VI	230/50/3	24.0	1.0	5/8"	1/8"	VAL0234E	VAL0233E	HTR0050E	COM0666E
MTZ 32JF4	6.9	VI	400/50/3	24.0	1.0	5/8"	1/2"	VAL0234E	VAL0233E	HTR0050E	COM0667E
MTZ 36JG4	8.0	VI	400/50/3	25.0	1.0	5/8"	1/2"	VAL0234E	VAL0233E	HTR0050E	COM0668E
MTZ 40JH4	9.1	VI	400/50/3	26.0	1.0	5/8"	1/2"	VAL0234E	VAL0233E	HTR0050E	COM0669E
MTZ 50HK4	11.2	VI	400/50/3	35.0	2.0	7/8"	3/4"	VAL0236E	VAL0235E	HTR0050E	COM0670E
MTZ 64HM4	14.6	VI	400/50/3	37.0	2.0	7/8"	3/4"	VAL0236E	VAL0235E	HTR0050E	COM0671E
MTZ 80HP4	18.5	VI	400/50/3	40.0	2.0	1"1/8	3/4"	VAL0237E	VAL0235E	HTR0050E	COM0672E
MTZ 100HS4	22.1	VI	400/50/3	60.0	4.0	1"1/8	3/4"	VAL0237E	VAL0650E	HTR0050E	COM0404E
MTZ 125HU4	29.2	VI	400/50/3	64.0	4.0	1"1/8	3/4"	VAL0237E	VAL0650E	HTR0050E	COM0405E
MTZ 160HW4	37.4	VI	400/50/3	69.0	4.0	1"1/8	3/4"	VAL0237E	VAL0650E	HTR0050E	COM0406E

(1) Duties given at 54.4°C condensing temp., 7.2°C evaporating temp., 8.5°C subcooling, 11.1°C superheat. (ARI conditions) and 50 Hz. For 60 Hz, multiply capacity by 1.2.

(2) See "MT/MTZ accessories" table.

(3) Option "VI": individual manufacturer packing with sight glass, oil equalization, mounting isolators and PTC type 9HT5 (HTR0050E).

(4) Oil: see oil tables.

(5) Power supply: if 400/50/3, operation possible with 460/60/3.



HERMETIC RECIPROCATING COMPRESSORS

MT/MTZ ACCESSORIES

PART DESCRIPTION	ORDERING NUMBER
Suction valve V06-1/2" for MT/MTZ: 18-22-28	VAL0233E
Suction valve V09-5/8" for MT/MTZ: 32-36-40	VAL0234E
Suction valve V07-7/8" for MT/MTZ: 50-64	VAL0236E
Suction valve V02-1*1/8 for MT/MTZ: 80-100-125-160	VAL0237E
Discharge valve V01-3/8" for MT/MTZ: 18-22-28	VAL0649E
Discharge valve V06-1/2" for MT/MTZ 32-36-40	VAL0233E
Discharge valve V04-3/4" for MT/MTZ: 50-64-80	VAL0235E
Discharge valve V05-7/8" for MT/MTZ: 100-125-160	VAL0650E
Crankcase heater 12-38W 230 to 600V (automatic control)	HTR0050E
Start relay 230v	RLY0221E



HERMETIC RECIPROCATING COMPRESSORS

CR-R22

MODEL NUMBER	COOLING CAPACITY (KW) (1)	POWER SUPPLY (V/HZ/PH)	SHIPPING WEIGHT (KG)	ORDERING NUMBER
CR 22 K6 TFD 770	5.37	400/50/3 or 460/60/3	30.4	COM06257
CR 37 KQE TFD 28 SBM	8.38	400/50/3 or 460/60/3	29.0	COM0693E
CR JQ 0300 PFJ 522	9.2	230/50/1	35.0	COM06172
CR JQ 0300 TFD 522	9.2	400/50/3 or 460/60/3	35.0	COM0446E
CR 47 KQ PFZ 28 SBM	10.8	230/50/1	33.0	COM0691E
CR LQ 0350 TFD 522	10.8	400/50/3 or 460/60/3	35.0	COM06173

(1) Duties given at 40°C condensing temp., 0°C evaporating temp. and 50 Hz. For 60 Hz, multiply capacity by 1.2.

Supplied with mounting isolators and crankcase heater.



SC-R22

MODEL NUMBER	REFRIGERANT	COOLING CAPACITY (KW) (1)	POWER SUPPLY (V/HZ/PH)	SHIPPING WEIGHT (KG)	SHOCK ABSORBER	START RELAYS	ORDERING NUMBER
SC 10 DX	R22	1.3	230/50/1	12.6	MNT0096E	RLY0256E	COM0408E
SC 15DX	R22	1.3	230/50/1	13.0	MNT0096E	RLY0257E	COM0409E
SC 15/15D	R22	4.0	230/50/1	28.0	MNT0096E	2xRLY0257E	COM0410E



HERMETIC RECIPROCATING COMPRESSORS

AE/AJ/AH/FH/TAG/TAH-R22

MODEL NUMBER	COOLING CAPACITY (KW) (1)	POWER SUPPLY (V/HZ/PH) (3)	SHIPPING WEIGHT (KG)	SUCTION DIAMETER	DISCHARGE DIAMETER	CRANKCASE HEATER (2)	ORDERING NUMBER
AE 5465E	1.5	230/50/1	13.0	3/8"	1/4"	HTR0066E	COM0384E
AE 5470E	1.8	230/50/1	13.0	3/8"	1/4"	HTR0066E	COM0400E
AJ 5510F	2.4	230/50/1	20.0	3/8"	1/4"	HTR00174	COM0382E
AJ 5512E	2.9	230/50/1	20.0	3/8"	1/4"	HTR00175	COM0401E
AJ 5513E	3.2	230/50/1	21.0	3/8"	1/4"	HTR00176	COM0383E
AJ 5515E	3.7	230/50/1	21.0	1/2"	5/16"	HTR00174	COM0386E
AJ 5518E	4.7	230/50/1	23.0	1/2"	5/16"	HTR00175	COM0394E
AJ 5519E	4.9	230/50/1	23.0	1/2"	5/16"	HTR00176	COM0402E
FH 5522E	5.6	230/50/1	30.0	5/8"	3/8"	HTR0050E	COM0388E
AH 5524E	6.1	230/50/1	30.0	5/8"	3/8"	HTR00174	COM0403E
FH 5528E	7.0	230/50/1	31.0	5/8"	3/8"	HTR0050E	COM0407E
FH 5538F	9.3	230/50/1	33.0	3/4"	3/8"	HTR0050E	COM0411E
FH 5542E	10.2	230/50/1	33.0	3/4"	3/8"	HTR0050E	COM0418E
TAH 5542E	10.2	400/50/3	33.0	3/4"	3/8"	HTR0050E	COM0412E
TAG 5561E	14.6	400/50/3	45.0	7/8"	1/2"	HTR0050E	COM0141E
TAG 5568E	16.2	400/50/3	46.0	7/8"	1/2"	HTR0050E	COM0349E

(1) Duties given at 54.4°C condensing temp., 7.2°C evaporating temp., 8.5°C subcooling, 11.1°C superheat. (ARI conditions) and 50 Hz. For 60 Hz, multiply capacity by 1.2.

(2) See "AE/AJ/AH/FH/TAG/TAH accessories" table.

(3) Power supply: if 400/50/3, operation possible with 460/60/3.

Supplied with mounting isolators.



HERMETIC RECIPROCATING COMPRESSORS

AE/AJ/AH/FH/TAG/TAH ACCESSORIES

PART DESCRIPTION	COMPRESSOR	ORDERING NUMBER
Crankcase heater 12-38W 230V to 600V (automatic control)	FH-TAH-TAG	HTR0050E
Crankcase heater 30W	AE	HTR0066E
Crankcase heater 60W 400V	AJ	HTR00176
Crankcase heater 60W 240V	AJ-AH-TAG	HTR00174



CRHH/CRHL-R22

MODEL NUMBER	COOLING CAPACITY (KW) (1)	POWER SUPPLY (V/HZ/PH) (3)	SHIPPING WEIGHT (KG)	SUCTION DIAMETER	DISCHARGE DIAMETER	CRANKCASE HEATER (2)	MOUNTING ISOLATOR (2)	ORDERING NUMBER
CRHH 062KA	21.9	400/50/3	63.0	1"1/8	5/8"	HTR01226	KIT00988	COM07475
CRHC 075KA	26.4	400/50/3	65.0	1"3/4	1"1/4	HTR01222	KIT01173	COM07499
CRHH 075KA	26.4	400/50/3	65.0	1"1/8	5/8"	HTR01226	KIT00988	COM07478
CRHH 075JA	26.4	230/50/3	65.0	1"3/4	1"1/4	HTR01222	KIT01173	COM07477
CRHL 075KA	26.4	400/50/3	65.0	1"3/4	1"1/4	HTR01222	KIT01173	COM07490
CRHH 083KA	29.1	400/50/3	66.0	1"1/8	5/8"	HTR01226	KIT00988	COM07482
CRHL 100KA	35.1	400/50/3	80.0	1"3/4	1"1/4	HTR01222	KIT01173	COM07494

(1) Duties given at 54.4°C condensing temp., 7.2°C evaporating temp., 8.5°C subcooling, 11.1°C superheat. (ARI conditions) and 50 Hz. For 60 Hz, multiply capacity by 1.2.

(2) See "CRHH/CRHL/GP/AS Accessories" table.

(3) Power supply: if 400/50/3, operation possible with 460/60/3.



HERMETIC RECIPROCATING COMPRESSORS

GP-R22

MODEL NUMBER	COOLING CAPACITY (KW) (1)	POWER SUPPLY (V/HZ/PH) (3)	SHIPPING WEIGHT (KG)	SUCTION DIAMETER	DISCHARGE DIAMETER	CRANKCASE HEATER (2)	MOUNTING ISOLATOR (2)	ORDERING NUMBER
GP 393GH9HA	9.75	400/50/3	45.0	1"3/4	1"1/4	HTR04353	MNT00533	COM08535
GP 483JJ9G	14.0	400/50/3	55.0	1"3/4	1"1/4	HTR01614	MNT00533	COM08538
GP 513JK9GA	14.9	400/50/3	32.0	1"3/4	1"1/4	HTR01614	MNT00533	COM08542
GP 553KK1G	15.5	230/60/1	46.0	1"3/4	1"1/4	HTR03384	MNT00533	COM03919
GP 673LM4G	19.7	400/50/3	40.0	1"3/4	1"1/4	HTR01614	MNT00533	COM03758
GP 673LM3G	19.8	230/60/3	45.0	1"3/4	1"1/4	HTR03384	MNT00533	COM03748
GP 813NN4G	23.7	400/50/3	45.0	1"3/4	1"1/4	HTR01614	MNT00533	COM03759

(1) Duties given at 54.4°C condensing temp. 7.2°C evaporating temp, 8.5°C subcooling, 11.1°C superheat. (ARI conditions) and 50 Hz. For 60 Hz, multiply capacity by 1.2.

(2) See "CRHH/CRHL/AS/GP accessories" table.

(3) Power supply: if 400/50/3, operation possible with 460/60/3.



AS-R22

MODEL NUMBER	COOLING CAPACITY (KW) (1)	POWER SUPPLY (V/HZ/PH)	SHIPPING WEIGHT (KG)	SUCTION DIAMETER	DISCHARGE DIAMETER	START CAPACITOR (2)	START RELAY (2)	MOUNTING ISOLATOR (2)	ORDERING NUMBER
AS 17A AA5-A	4.9	230/50/1	28.0	1"1/4	1"	-	-	-	COM08479
AS 24A CD5-A	7.0	230/50/1	-	1"1/4	1"	CPT00091	RLY0221E	MNT00533	COM08482
AS 29A EE5-A	8.44	230/50/1	-	1"1/4	1"	CPT00091	RLY0221E	MNT00533	COM08485
AS 35A FG5-A	10.2	230/50/1	30.0	1"1/4	1"	CPT00091	RLY0221E	MNT00533	COM08540

(1) Duties given at 54.4°C condensing temp., 7.2°C evaporating temp., 8.5°C subcooling, 11.1°C superheat. (ARI conditions) and 50 Hz. For 60 Hz, multiply capacity by 1.2.

(2) See "CRHH/CRHL/GP/AS Accessories".

HERMETIC RECIPROCATING COMPRESSORS

CRHH/CRHL/GP/AS ACCESSORIES

PART DESCRIPTION	COMPRESSOR	ORDERING NUMBER
Crankcase heater 92W	CRHL	HTR01222
Crankcase heater 67W	GP	HTR01614
Crankcase heater 67W	GP	HTR04353
Crankcase heater 65W	GP	HTR03384
Crankcase heater 60W	CRHH	HTR01226
Capacitor 135-155 MFD	AS	CPT00091
Mounting isolator kit	CRHH	KIT00988
Mounting isolator kit	-	MNT00533



H-R22

MODEL NUMBER	COOLING CAPACITY (KW) (1)	POWER SUPPLY (V/HZ/PH)	SHIPPING WEIGHT (KG)	ORDERING NUMBER
H 79A723DBV	17.0	400/50/3 or 460/60/3	40	COM0447E

(1) Duties given at 54.4°C condensing temp., 7.2°C evaporating temp., 8.5°C subcooling, 11.1°C superheat. (ARI conditions) and 50 Hz. For 60 Hz, multiply capacity by 1.2.



HERMETIC SCROLL COMPRESSORS

SM/SZ

MODEL NUMBER	REFRIGERANT	CONNECTION	COOLING CAPACITY (KW) R22 (1)	COOLING CAPACITY (KW) R134A (1)	COOLING CAPACITY (KW) R407C (1)	POWER SUPPLY (V/HZ/PH) (4)	SHIPPING WEIGHT (KG)	OIL QUANTITY (L) (2)	SUCTION DIAMETER	DISCHARGE DIAMETER	SOUND INSULATOR (3)	CRANKCASE HEATER (3)	ORDERING NUMBER
SM 100S4VC	R22	BRAZED	23.2	-	-	400/50/3	72.0	3.0	1"1/8	3/4"	INS0064E	HTR0116E	COM0662E
SM 115S4RC	R22	ROTALOCK	28.0	-	-	400/50/3	80.0	4.0	1"3/4	1"1/4	-	HTR0116E	COM0689E
SM 120S4VC	R22	BRAZED	30.1	-	-	400/50/3	80.0	3.0	1"3/8	7/8"	INS0065E	HTR0116E	COM0663E
SM 160T4RC	R22	ROTALOCK	39.1	-	-	400/50/3	94.0	4.0	2"1/4	1"3/4	INS0066E	HTR0117E	COM0788E
SM 161T4VC	R22	BRAZED	39.3	-	-	400/50/3	86.0	3.0	1"3/8	7/8"	INS0066E	HTR0117E	COM0664E
SM 185S4RC	R22	ROTALOCK	41.1	-	-	400/50/3	103.0	6.0	2"1/4	1"3/4	INS0031E	HTR0117E	COM0771E
SM 175S4RC	R22	ROTALOCK	42.0	-	-	400/50/3	103.0	6.0	1"5/8	1"1/8	INS0031E	HTR0117E	COM0772E
SM 185S6RC	R22	ROTALOCK	45.5	-	-	230/50/3	103.0	6.0	1"5/8	1"1/8	INS0031E	-	COM0766E
SZ 090S4VC	R407C	BRAZED	-	-	20.4	400/50/3	72.0	3.0	1"1/8	3/4"	INS0064E	HTR0116E	COM0705E
SZ 100S4VC	R134A/ R407C	BRAZED	-	21.6	21.7	400/50/3	72.0	3.0	1"1/8	3/4"	INS0064E	HTR0116E	COM0616E
SZ 120S4VC	R134A/ R407C	BRAZED	-	28.6	28.7	400/50/3	80.0	3.0	1"3/8	7/8"	INS0065E	HTR0116E	COM0618E
SZ 185S6RC	R134A	ROTALOCK	-	30.4	-	230/50/3	103.0	6.0	2"1/4	1"3/4	INS0031E	-	COM0768E
SZ 185S4RC	R407C	ROTALOCK	-	-	38.64	400/50/3	103.0	6.0	2"1/4	1"3/4	INS0031E	HTR0117E	COM0803E
SZ 161T4VC	R134A/ R407C	BRAZED	-	38.4	39.5	400/50/3	86.0	3.0	1"3/8	7/8"	INS0066E	HTR0116E	COM0620E
SZ 175S4RC	R407C	ROTALOCK	-	-	40.1	400/50/3	103.0	6.0	2"1/4	1"3/4	INS0031E	HTR0117E	COM0774E
SZ 300A4AAM	R407C	BRAZED	-	-	72.8	400/50/3	160.0	8.0	1"5/8	1"1/8	-	-	COM0775E
SZ 3807A77M	R407C	BRAZED	-	-	89.6	400/50/3	163.0	8.4	2"1/8	1"3/8	-	-	COM0776E

(1) Duties given at 54.4°C condensing temp., 7.2°C evaporating temp., 8.3°C subcooling, 11.1°C superheat. (ARI conditions) and 50 Hz. For 60 Hz, multiply capacity by 1.2.

(2) Oil: see oil tables.

(3) See "SM/SZ/CSHN Accessories" table.

(4) Power supply: if 400/50/3, operation possible with 460/60/3.



HERMETIC SCROLL COMPRESSORS

SM/SZ/CSHN ACCESSORIES

PART DESCRIPTION	ORDERING NUMBER
Sound insulator for CSHN 10T	INS0030E
Sound insulator for CSHN 15T	INS0031E
Sound insulator for SM/SZ 100	INS0064E
Sound insulator for SM/SZ 120	INS0065E
Sound insulator for SM/SZ 161	INS0066E
Crankcase heater 50W 400V for SM/SZ 100-120	HTR0116E
Crankcase heater 50W 400V for SM/SZ 161	HTR0117E
Mounting isolators set-SM/SZ 125-185	MNT0129E
Motor protection device 230V-compressor SH/SZ 180	CNT0334E
Motor protection device 115/230V-compressor SH/SZ 240-300-380	CNT0335E



CSHA-R22

MODEL NUMBER	COOLING CAPACITY (KW) R22 (1)	CONNECTION	POWER SUPPLY (V/HZ/PH) (4)	SHIPPING WEIGHT (KG)	OIL QUANTITY (L)(2)	SUCTION DIAMETER	DISCHARG DIAMETER	SOUND INSULATOR (3)	CRANKCASE HEATER (3)	ORDERING NUMBER
CSHA 10T	30.1	BRAZED	400/50/3	78.0	3.8	1"3/8	7/8"	INS0030E	HTR0116E	COM0754E
CSHA 15T	45.5	BRAZED	400/50/3	103.0	6.6	1"5/8	1"1/8	INS0031E	HTR0117E	COM0755E

(1) Duties given at 54.4°C condensing temp., 7.2°C evaporating temp., 8.3°C subcooling, 11.1°C superheat. (ARI conditions) and 50 Hz. For 60 Hz, multiply capacity by 1.2.

(2) Compressors are supplied with oil (Oil: see oil tables).

(3) See "CSHA accessories" table.

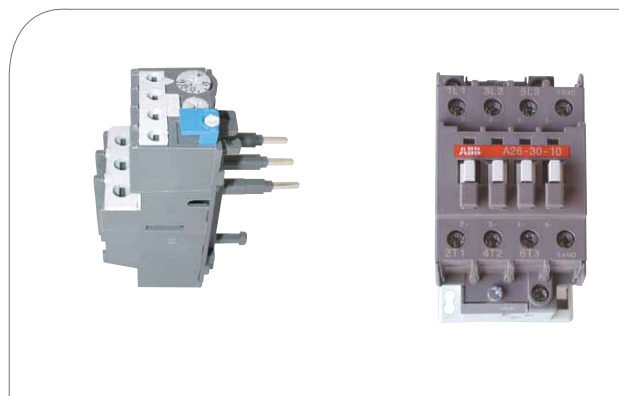
(4) Power supply: if 400/50/3, operation possible with 460/60/3.



HERMETIC SCROLL COMPRESSORS

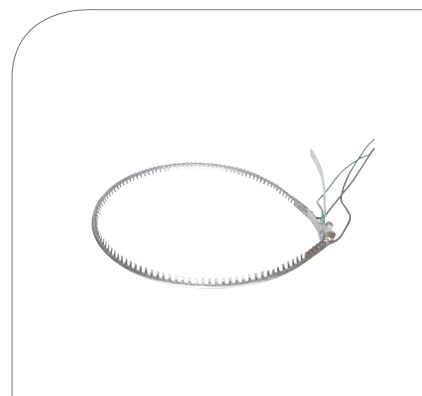
CSHA CONTACTORS AND OVERLOAD RELAYS

COMPRESSOR	CONTACTORS-OVERLOAD RELAYS	MODEL NUMBER	ORDERING NUMBER
CSHA10	CONTACTOR	LC1D	CTR0058E
CSHA10	OVERLOAD RELAY	LR2D	RLY0102E
CSHA10	CONTACTOR	3RT	CTR0299E
CSHA10	OVERLOAD RELAY	3RU	RLY0308E
CSHA10	CONTACTOR	206280	CTR0269E
CSHA10	OVERLOAD RELAY	14016	RLY0297E
CSHA15	OVERLOAD RELAY	LR2D	RLY0109E
CSHA15	CONTACTOR	3RT	CTR0300E
CSHA15	OVERLOAD RELAY	3RU	RLY0309E
CSHA15	CONTACTOR	208180	CTR0272E
CSHA15	OVERLOAD RELAY	140051	RLY0299E



CSHA CRANKCASE HEATERS

TYPE	POWER (W)	VOLTAGE (V)	DIAMETER (MM)	CABLE LENGTH (M)	ORDERING NUMBER
RING	50	380	254	1.5	HTR0116E
RING	50	380	317	1.5	HTR0117E



HERMETIC SCROLL COMPRESSORS

CSHD-R410A

MODEL NUMBER	CONNECTION	COOLING CAPACITY (KW) (1)	POWER SUPPLY (V/HZ/PH) (4)	SHIPPING WEIGHT (KG)	OIL QUANTITY (L)(2)	SUCTION DIAMETER	DISCHARGE DIAMETER	MOTOR PROTECTION DEVICE (3)	ORDERING NUMBER
CSHD 092K0A00	BRAZED	22.3	380-415/50/3	58.0	3.0	1 "1/8	7/8"	-	COM9111E
CSHD 110K0A00	BRAZED	26.85	380-415/50/3	64.0	3.3	1 "1/8	7/8"	-	COM9121E
CSHD 10 T	BRAZED	30.0	380-415/50/3	64.0	3.3	1"3/8	7/8"	CNT0334E	COM9131E
CSHD 142K0A00	BRAZED	34.7	380-415/50/3	58.0	3.3	1 "1/8	7/8"	-	COM9141E
CSHD 13 T	BRAZED	38.8	380-415/50/3	69.0	3.3	1"3/8	7/8"	CNT0335E	COM9151E
CSHD 15 T	BRAZED	44.65	380-415/50/3	71.5	3.6	1"3/8	7/8"	CNT0335E	COM9161E
CSHD 125	BRAZED	30.53	380-415/50/3	64,5	3,3	7/8"	1"3/8	INTERNAL LINE BREAK	COM09854

(1) Duties given at 54.4°C condensing temp., 7.2°C evaporating temp., 8.3°C subcooling, 11.1°C superheat. (ARI conditions) and 50 Hz. For 60 Hz, multiply capacity by 1.2.

(2) Compressors are supplied with oil (Oil: see oil tables).

(3) See "SM/SZ/CSHN accessories".

(4) Power supply: if 380/415/50/3, operation possible with 460/60/3.



CSHN-R134A/R407C

MODEL NUMBER	CONNECTION	COOLING CAPACITY (KW) R134A (1)	COOLING CAPACITY (KW) R407C (1)	POWER SUPPLY (V/HZ/PH) (4)	SHIPPING WEIGHT (KG)	OIL QUANTITY (L)(2)	SUCTION DIAMETER	DISCHARGE DIAMETER	SOUND ISOLATOR	CRANKCASE HEATER (3)	ORDERING NUMBER
CSHN 10 T	BRAZED	20.7	33.7	400/50/3	80.0	3.8	1"3/8	7/8"	INS0030E	HTR0116E	COM0756E
CSHN 15 T	BRAZED	30.4	50.9	400/50/3	103.0	6.6	1"5/8	1"1/8	INS0031E	HTR0117E	COM0757E

(1) Duties given at 54.4°C condensing temp., 7.2°C evaporating temp., 8.3°C subcooling, 11.1°C superheat. (ARI conditions) and 50 Hz. For 60 Hz, multiply capacity by 1.2.

(2) Compressors are supplied with oil (Oil: see oil tables).

(3) See "CSHA Accessories" table.

(4) Power supply: if 400/50/3, operation possible with 460/60/3.



HERMETIC SCROLL COMPRESSORS

CSHN-R410

MODEL NUMBER	CONNECTION	COOLING CAPACITY (KW) (1)	POWER SUPPLY (V/HZ/PH) (3)	SHIPPING WEIGHT (KG)	OIL QUANTITY (L) (2)	SUCTION DIAMETER	DISCHARGE DIAMETER	MOTOR PROTECTION DEVICE (3)	ORDERING NUMBER
CSHN 15 T	BRAZED	44.0	380-415/50/3	106	6.7	1"5/8	1"1/8	CNT0334E	COM9171E
CSHN 20 T	BRAZED	60.4	380-415/50/3	108	6.7	1"5/8	1"1/8	CNT0335E	COM9002E
CSHN 25 T	BRAZED	77.3	380-415/50/3	153	6.7	1"5/8	1"1/8	CNT0335E	COM9004E
CSHN 30 T	BRAZED	90.4	380-415/50/3	164	7.2	1"5/8	1"1/8	CNT0335E	COM9006E
CSHN250	BRAZED	61.05	200-230/60/3	108	6.7	1"1/8	1"5/8	115/230 VAC	COM09045
CSHN315	BRAZED	76.93	200-230/60/3	153	6.7	1"1/8	1"5/8	115/230 VAC	COM09051

ZR-R22/R134A/R407C

MODEL NUMBER	REFRIGERANT	CONNECTION	COOLING CAPACITY (KW) (1)	POWER SUPPLY (V/HZ/PH) (3)	SHIPPING WEIGHT (KG)	OIL QUANTITY (L)	SUCTION DIAMETER	DISCHARGE DIAMETER	CRANKCASE HEATERS (2)	ORDERING NUMBER
ZR 22 K 3 E	R22-R134A-R407C	BRAZED	5.4/3.14/4.51	230/50/1	24.0	0.7	3/4"	1/2"	HTR0120E	COM0642E
ZR 28 K 3 E	R22-R134A-R407C	BRAZED	7.0/4.12/5.78	230/50/1	25.0	0.7	3/4"	1/2"	HTR0120E	COM0643E
ZR 34 K 3 E	R22-R134A-R407C	BRAZED	8.3/4.8/6.86	230/50/1	26.0	0.9	3/4"	1/2"	HTR0120E	COM0644E
ZR 40 K 3 E	R22-R134A-R407C	BRAZED	9.8/5.59/8.04	230/50/1	27.0	1.0	3/4"	1/2"	HTR0120E	COM0645E
ZR 40 K 3 E	R22-R134A-R407C	BRAZED	9.8/5.59/8.04	400/50/3	27.0	1.0	3/4"	1/2"	HTR0121E	COM0648E
ZR 49 K 3 E	R22-R134A-R407C	BRAZED	11.5/6.9/10	230/50/1	25.0	1.1	7/8"	1/2"	HTR0121E	COM0646E
ZR 48 K 3 E	R22-R134A-R407C	BRAZED	11.5/6.9/10	400/50/3	37.0	1.1	7/8"	1/2"	HTR0121E	COM0649E
ZR 61 K C E	R22-R134A-R407C	BRAZED	14.8/8.9/12.98	400/50/3	38.0	1.8	7/8"	1/2"	HTR0121E	COM0650E
ZR 72 K C E	R22-R134A-R407C	BRAZED	17.6/10.29/14.5	400/50/3	45.0	1.8	7/8"	1/2"	HTR0121E	COM0651E
ZR 90 K 3 E	R22-R134A-R407C	ROTALOCK	20.9/13.0/20.7	400/50/3	91.0	4.0	1"1/8	3/4"	HTR0121E	COM0652E
ZR 11 M 3 E	R22-R134A-R407C	ROTALOCK	24.9/16.0/24.9	400/50/3	91.0	4.0	1"1/8	3/4"	HTR0121E	COM0653E
ZR 11 M 3 E	R22-R134A-R407C	BRAZED	24.9/16.0/24.9	400/50/3	91.0	4.0	1"1/8	3/4"	HTR0121E	COM0702E
ZR 12 M 3 E	R22-R134A-R407C	ROTALOCK	29.0/18.5/29.0	400/50/3	92.0	4.0	1"1/8	7/8"	HTR0121E	COM0654E
ZR 12 M 3 E	R22-R134A-R407C	BRAZED	29.0/18.5/29.0	400/50/3	92.0	4.0	1"1/8	7/8"	HTR0121E	COM0703E
ZR 16 M 3 E	R22-R134A-R407C	ROTALOCK	35.6/22.8/35.6	400/50/3	98.0	4.0	1"1/8	7/8"	HTR0121E	COM0655E
ZR 19 M 3E	R22-R134A-R407C	ROTALOCK	41.5/36.8/39.5	400/50/3	119.0	4.1	2"1/4	1"3/4	-	COM0758E
ZR 250 K CE	R22-R134A-R407C	ROTALOCK	54.0/35.5/52.2	400/50/3	154.0	4.7	2"1/4	1"3/4	-	COM0706E
ZR 310 K CE	R22-R134A-R407C	ROTALOCK	67.0/44.0/65.0	400/50/3	176.0	5.9	2"1/4	1"3/4	-	COM0707E
ZR 380 K CE	R22-R134A-R407C	ROTALOCK	83.0/55.5/81.7	400/50/3	176.0	6.3	2"1/4	1"3/4	-	COM0759E

(1) Duties given at 54.4°C condensing temp., 7.2°C evaporating temp., 8.3°C subcooling, 11°C superheat. (ARI conditions) and 50 Hz. For 60 Hz, multiply capacity by 1.2.

(2) See «ZR accessories» table.

Oil: see oil tables.

(3) Power supply: if 400/50/3, operation possible with 460/60/3.



HERMETIC SCROLL COMPRESSORS

ZR-R410A

MODEL NUMBER	COOLING CAPACITY (KW) (1)	POWER SUPPLY (V/HZ/PH)	SHIPPING WEIGHT (KG)	OIL QUANTITY (L)	SUCTION DIAMETER	DISCHARGE DIAMETER	CRANKCASE HEATER (2)	ORDERING NUMBER
ZP 23 K3E	5.0	220-240/50/1	40.0	1.1	3/4"	1/2"	HTR0120E	COM0621E
ZP 26 K3E	5.4	220-240/50/1	40.0	1.1	3/4"	1/2"	HTR0120E	COM0622E

(1) Duties given at 54.4°C condensing temp., 7.2°C evaporating temp., 8.3°C subcooling, 11°C superheat. (ARI conditions).

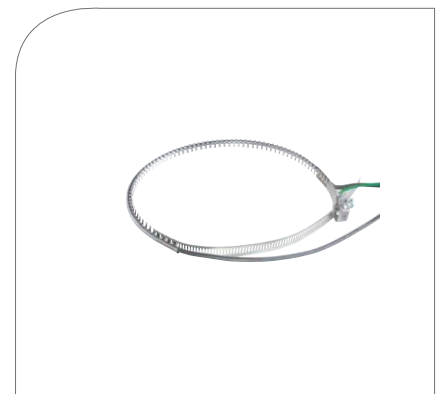
(2) See "ZR accessories" tables.

Compressor supplied with oil charge.

Brazed fitting.

ZR ACCESSORIES

PART DESCRIPTION	ORDERING NUMBER
Crankcase heater 40W 240V	HTR0120E
Crankcase heater 70W 240V	HTR0121E
Grommet isolator compressor	GRM00242



HERMETIC SCROLL COMPRESSORS

ZB-R134A

MODEL NUMBER	REFRIGERANT	CONNECTION	ROTALOCK SUCTION DIAMETER	ROTALOCK DISCHARGE DIAMETER	COOLING CAPACITY (KW) (1)	POWER SUPPLY (V/HZ/PH) (2)	SHIPPING WEIGHT (KG)	OIL QUANTITY (L)(2)	SUCTION DIAMETER	DISCHARGE DIAMETER	ORDERING NUMBER
ZB 30 KCE PFJ 551	R134a	Rotalock	1" 1/4	1"	3.9	220-240/50/1	35.4	1.9	1" 1/4	1"	COM0815E
ZB 45 KCE TFD 551	R134a	Rotalock	1" 1/4	1"	5.8	380-420/50/3	39.0	1.9	1" 1/4	1"	COM0817E
ZB 19 KCE PFJ 551	R134a	Rotalock	1" 1/4	1"	2.3	220-240/50/1	27.2	1.5	1" 1/4	1"	COM0818E

HLH/HLJ/SSA/SXA/SXE-R410A

MODEL NUMBER	CONNECTION	COOLING CAPACITY (KW) (1)	POWER SUPPLY (V/HZ/PH) (2)	SHIPPING WEIGHT (KG)	OIL QUANTITY (L)	SUCTION DIAMETER	DISCHARGE DIAMETER	ORDERING NUMBER
HLH 061T 4LC6	Brazed	13.2	380-415/3/50	37.2	2.0	7/8"	1/2"	COM0819E
HLJ 072T 4LC6	Brazed	15.8	380-415/3/50	37.2	2.0	7/8"	1/2"	COM0820E
SSA067A4BPZ	brazed	16.4	460/60/3	40	-	7/8"	1/2"	COM08838
SSA083A4BPZ	brazed	20.2	460/60/3	46	-	7/8"	1/2"	COM08847
SSA076A4BPZ	brazed	18.46	460/60/3	39	-	7/8"	1/2"	COM09636
SXA044B4BPZ	brazed	10.5	460/60/3	34	-	7/8"	1/2"	COM10038
SXA051B4BPZ	brazed	12.6	460/60/3	42	-	7/8"	1/2"	COM09550
SXA054B4BPA	brazed	14.65	460/60/3	35	-	7/8"	1/2"	COM10053
SXE042B4BPZ	brazed	10.25	460/60/3	4.5	-	7/8"	1/2"	COM10720
SSA072A4BPZ	brazed	21.1	460/60/3	43	1.8	1/2"	7/8"	COM09657
SXA054B4BPZ	brazed	17.58	460/60/3	34.5	0.75	5/8"	7/8"	COM10053

(1) Duties given at 54.4°C condensing temp., 7.2°C evaporating temp., 8.3°C subcooling, 11°C superheat. (ARI conditions).

Compressor supplied with oil charge.

SS-R22

MODEL NUMBER	POWER SUPPLY (2)	COOLING CAPACITY (1)	SHIPPING WEIGHT (KG)	ORDERING NUMBER
SSE 068A4BPZ	400/50/3	17.1	40.0	COM08244
SSR 061A4BPZ	400/50/3	17.86	35.0	COM06995
SSR 081A4BPZ	400/50/3	20.4	42.0	COM07172

(1) Duties given at 54.4°C condensing temp., 7.2°C evaporating temp., 8.3°C subcooling, 11°C superheat. (ARI conditions) and 50 Hz. For 60 Hz, multiply capacity by 1.2.

(2) Power supply: if 400/50/3, operation possible with 460/60/3.



MANIFOLD KITS FOR SCROLL COMPRESSORS

PART DESCRIPTION	USE	ORDERING NUMBER
KIT TUBE MANIFOLD-100K+150K SCROLL COMPRESSOR	CSHN (CORNERSTONE)	KIT0468E
KIT MANIFLOD TUBE-2x10T SCROLL COMPRESSOR	CSHS (MANEUROP)	KIT0398E
KIT MANIFOLD TUBE-10T+15T SCROLL COMPRESSOR	CSHS (MANEUROP)	KIT0399E
KIT MANIFOLD TUBE-2x15T SCROLL COMPRESSOR	CSHS (MANEUROP)	KIT0400E
KIT TUBE MANIFOLD-2x100K SCROLL COMPRESSOR	CSHN (CORNERSTONE)	KIT0467E
KIT TUBE MANIFOLD-2x150K SCROLL COMPRESSOR	CSHN (CORNERSTONE)	KIT0469E
KIT MANIFOLD TUBE-2X10T+1X15T-SCROLL COMPRESSOR	CSHN (CORNERSTONE)	KIT0888E
KIT MANIFOLD TUBE-1X10T+2X15T-SCROLL COMPRESSOR	CSHN (CORNERSTONE)	KIT0889E
KIT MANIFOLD DISCHARGE PIPE-NOT BRAZED	CGAN 400	KIT1047E
KIT MANIFOLD SUCTION PIPE-NON BRAZED	CGAN 400	KIT1064E
KIT MANIFOLD DISCHARGE PIPE-NOT BRAZED	CGAN 250	KIT1045E
KIT MANIFOLD DISCHARGE PIPE-NOT BRAZED	CGAN 700 CIRCUIT A	KIT1054E
KIT MANIFOLD DISCHARGE PIPE-NOT BRAZED	CGAN 800 CIRCUIT A	KIT1056E
KIT MANIFOLD SUCTION PIPE-NOT BRAZED	CGAN 250	KIT1062E
KIT MANIFOLD SUCTION PIPE-NOT BRAZED	CGAN 700 CIRCUIT A	KIT1071E
KIT MANIFOLD SUCTION PIPE-NOT BRAZED	CGAN 700 CIRCUIT B	KIT1072E
KIT MANIFOLD SUCTION PIPE-NOT BRAZED	CGAN 800 CIRCUIT A	KIT1073E
KIT MANIFOLD DISCHARGE PIPE-NOT BRAZED	CGAN 211 TO 214 CIRCUIT A	KIT1204E
KIT MANIFOLD BALANCING PIPE-NOT BRAZED	CGAN 211-A-212/214-A/B-CGWN/CCUN 212/215-A-213/215-B	KIT1208E
KIT MANIFOLD DISCHARGE TUBE SCROLL COMP. 15T+15T	CCUH-CGWH-CGCL-RAUL	KIT1115E
KIT MANIFOLD SUCTION TUBE SCROLL COMP. 15T+15T	CCUH-CGWH-CGCL-RAUL	KIT1118E
KIT MANIFOLD DISCHARGE TUBE SCROLL COMP. 10T+10T	CCUH-CGWH	KIT1113E
KIT MANIFOLD SUCTION TUBE SCROLL COMP. 10T+10T	CCUH-CGWH	KIT1116E
KIT OIL BALANCING PIPE SCROLL COMP. 10T+10T	CCUH-CGWH-CGCL-RAUL	KIT1119E
KIT OIL BALANCING PIPE SCROLL COMP. 10T+15T	CCUH-CGWH-CGCL-RAUL	KIT1120E
KIT OIL BALANCING PIPE SCROLL COMP. 10T+10T+15T-CIRCUIT B	CGCL-RAUL	KIT1125E
KIT OIL BALANCING PIPE SCROLL COMP. 15T+15T+10T	CGCL-RAUL	KIT1126E
COMPRESSORS MANIFOLD 15+15/15+20 TONS	CGAM-CXAM	KIT1435E
COMPRESSORS MANIFOLD 2 20+25 TONS	CGAM-CXAM	KIT1439E
COMPRESSORS MANIFOLD 1 20+25 TONS	CGAM-CXAM	KIT1440E
HYDRAULIC CONNECTION DIA 1"1/2	CGAM-CXAM-V-THR	KIT1403E
HYDRAULIC CONNECTION DIA 3" PIPE STUB	CGAM-CXAM-V	KIT1408E

HERMETIC ROTARY COMPRESSORS

CR-R22

MODEL NUMBER	COOLING CAPACITY (KW) (1)	POWER SUPPLY (V/HZ/PH)	SHIPPING WEIGHT (KG)	ORDERING NUMBER
C-R91 H5R	2.6	230/50/1	5	COM06189
C-R111 H5R	3.5	230/50/1	5	COM06167
C-R224 H8S	7.3	230/50/1	5	COM06162
C-R224 H8U	7.3	230/50/1	5	COM06182
C-R373 H8B	13.0	230/50/1	5	COM06165
C-R373 H8S	13.0	230/50/1	5	COM06185

(1) Duties given at 54.4°C condensing temp., 7.2°C evaporating temp., 8.5°C subcooling, 11.1°C superheat. (ARI conditions).

RE/PE/NE-R407C

MODEL NUMBER	COOLING CAPACITY (KW) (1)	POWER SUPPLY (V/HZ/PH)	SHIPPING WEIGHT (KG)	ORDERING NUMBER
RE 207 VHSMT	3.4	230/50/1	14.5	COM0673E
PE 31 VNEMT	5.2	230/50/1	22.2	COM0674E
NE 41 VNHMT	7.5	230/50/1	26.7	COM0675E

(1) Duties given at 54.4°C condensing temp., 7.2°C evaporating temp., 8.5°C subcooling, 11.1°C superheat. (ARI conditions).

Supplied with mounting isolators.



RH/PH/NH-R22

MODEL NUMBER	COOLING CAPACITY (KW) (1)	POWER SUPPLY (V/HZ/PH)	SHIPPING WEIGHT (KG)	ORDERING NUMBER
RH 135 VHAT	2.2	230/50/1	13.1	COM0449E
RH 165 VHAT	2.8	230/50/1	13.1	COM0448E
RH 207 VHAT	3.5	230/50/1	14.5	COM06364
PH 31 VNET	5.4	230/50/1	22.2	COM0562E
PH 36 VPET	6.3	230/50/1	22.8	COM0563E
NH 41 VNDT	7.3	230/50/1	26.7	COM06159

(1) Duties given at 54.4°C condensing temp., 7.2°C evaporating temp., 8.5°C subcooling, 11.1°C superheat. (ARI conditions).

Supplied with mounting isolators.



SEMI-HERMETIC RECIPROCATING COMPRESSORS

CRHZ-R22

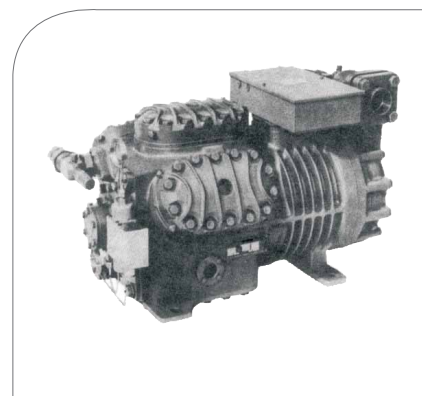
MODEL NUMBER	TYPE	COOLING CAPACITY (KW) (1)	STANDARD CAPACITY CONTROL	POWER SUPPLY (V/HZ/PH) (3)	SHIPPING WEIGHT (KG)	ORDERING NUMBER
CRHZ 150	R4N20.2	30.6	2	400/50/3	155.0	COM0028Z
CRHZ 150	4J22.2	35.7	2	230/50/3	190.0	COM0029Z
CRHZ 200	R4H25	41.5	2	230/50/3	203.0	COM0003Z
CRHZ 200	R4H25	41.5	2	346/50/3	203.0	COM0010Z
CRHZ 200	R4H25	41.5	2	400/50/3	203.0	COM0012Z
CRHZ 250	R4G30	47.2	2	230/50/3	206.0	COM0002Z
CRHZ 250	R4G30	47.2	2	400/50/3	206.0	COM0005Z
CRHZ 250	R4G30	47.2	2	346/50/3	150.0	COM0009Z
CRHZ 200	R4H25	49.8	2	230/60/3	203.0	COM0015Z
CRHZ 200	R4H25	49.8	2	380/60/3	210.0	COM0013Z
CRHZ 200	R4H25	49.8	2	460/60/3	203.0	COM0014Z
CRHZ 250	R4G30	56.6	2	380/60/3	203.0	COM0016Z
CRHZ 250	R4G30	56.6	2	460/60/3	203.0	COM0017Z
CRHZ 250	R4G30	56.6	2	230/60/3	250.0	COM0018Z
CRHZ 300	R6H35	62.2	2	230/50/3	235.0	COM0001Z
CRHZ 300	R6H35	62.2	2	400/50/3	235.0	COM0011Z
CRHZ 300	R6H35	62.2	2	400/50/3	250.0	COM0008Z
CRHZ 300	R6H35	74.6	2	380/60/3	251.0	COM0019Z
CRHZ 300	R6H35	74.6	2	460/60/3	160.0	COM0020Z
CRHZ 300	R6H35	74.6	2	230/60/3	200.0	COM0021Z
CRHZ 400	R6G40	70.9	2	400/50/3	238.0	COM0027Z

(1) Duties given at 54.4°C condensing temp., 7.2°C evaporating temp., 8.5°C subcooling, 11.1°C superheat. (ARI conditions) and 50 Hz. For 60 Hz, multiply capacity by 1.2.

(2) Compressor only supplied with oil charge.

Oil: see oil tables.

(3) Power supply: if 400/50/3, operation possible with 460/60/3.



SEMI-HERMETIC SCREW COMPRESSORS

CHHN/CHHB/CHHP-R134A/R22

MODEL NUMBER	STARTING	REFRIGERANT	COOLING CAPACITY (KW) (1)	SHIPPING WEIGHT (KG)	ORDERING NUMBER
CHHN035	PART WINDING	R134A/R22	85.1	300	COM0422E
CHHN035	STAR/DELTA	R134A/R22	85.1	300	COM0425E
CHHN040	PART WINDING	R134A/R22	100.1	340	COM0423E
CHHN040	STAR/DELTA	R134A/R22	100.1	340	COM0426E
CHHN050	PART WINDING	R134A/R22	127.3	350	COM0424E
CHHN050	STAR/DELTA	R134A/R22	127.3	350	COM0398E
CHHN060	PART WINDING	R134A/R22	150.3	365	COM0427E
CHHN060	STAR/DELTA	R134A/R22	150.3	365	COM0399E
CHHB070	PART WINDING	R134A/R22	187.8	430	COM0419E
CHHB070	STAR/DELTA	R134A/R22	187.8	430	COM0379E
CHHB070	PART WINDING	R134A	135.0	425	COM0552E
CHHB085	PART WINDING	R134A/R22	210.4	500	COM0420E
CHHB085	STAR/DELTA	R134A/R22	210.4	500	COM0380E
CHHB100	PART WINDING	R134A/R22	253.2	530	COM0421E
CHHB100	STAR/DELTA	R134A/R22	253.2	530	COM0381E
CHHB100	PART WINDING	R134A	190.0	515	COM0565E
CHHP K2	STAR/DELTA	R134A	120.0	390	COM0682E
CHHP L1	STAR/DELTA	R134A	150.0	425	COM0683E
CHHP K1	STAR/DELTA	R134A	105	390	COM0681E
CHHP L2	STAR/DELTA	R134A	180	425	COM0684E
CHHPM1	STAR/DELTA	R134A	210	570	COM0677E
CHHP M2	STAR/DELTA	R134A	255	570	COM0678E
CHHP N1	STAR/DELTA	R134A	300	720	COM0679E
CHHP N2	STAR/DELTA	R134A	360	720	COM0680E
CHHP M1 LoVi	STAR/DELTA	R134A	210	570	COM0807E
CHHP M2-Lo Vi	STAR/DELTA	R134A	255	570	COM0808E
CHHP N1 LoVi	STAR/DELTA	R134A	300	720	COM0809E
CHHP N2-Lo Vi	STAR/DELTA	R134A	360	720	COM0810E
CHHP K1 Lo Vi	STAR/DELTA	R134A	105	390	COM0811E
CHHP K2 Lo Vi	STAR/DELTA	R134A	120	390	COM0812E
CHHP L1-Lo Vi	STAR/DELTA	R134A	150	425	COM0813E
CHHP L2 Lo Vi	STAR/DELTA	R134A	180	425	COM0814E

IMPORTANT NOTE: Trane as a responsible manufacturer cares about enviromental issues. Trane Services will remove free of charge the old body and recycle internal components.

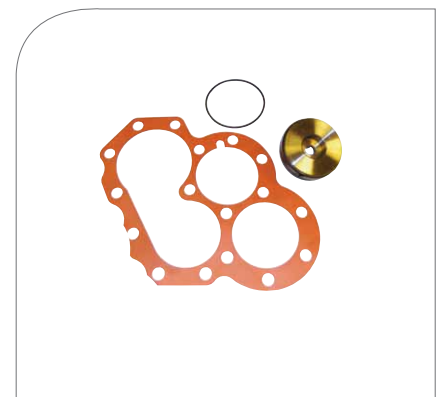
(1) Duties given at 50°C condensing temp., 3°C evaporating temp., 12°C subcooling, 3°C superheat stepless. Continuous capacity control 20-100%. Power supply: 400v/50hz/3ph or 460v/50hz/3ph For 60 Hz, multiply capacity by 1.2.



SEMI-HERMETIC SCREW COMPRESSORS

CHHA/CHHB/CHHC/CHHN/CHHP REPAIR KITS

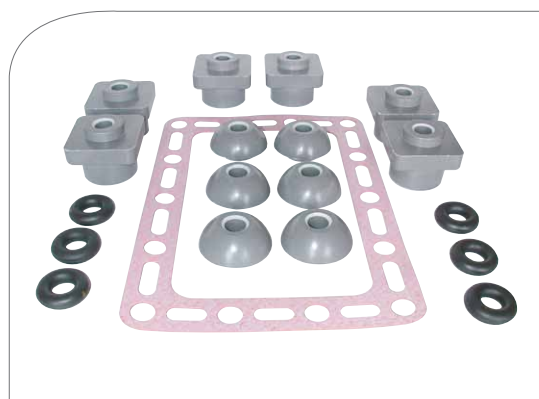
PART DESCRIPTION	USED ON	ORDERING NUMBER
Kit piston unloader	CHHB070	PST00113+RNG01406+GKT03232
Kit piston unloader	CHHB085	PST00114+RNG01410+GKT03229
Kit piston unloader	CHHB100	PST00115+RNG01410+GKT03229
Lip seal bypass kit	CHHB100	KIT06282
Kit; repair check valve inside compressor	CHHB085/100	KIT02309
Discharge check valve kit	CHHP ALL SIZES	KIT08032
KIT terminal	CHHP K1/K2 L1/L2	KIT1395E
KIT terminal plate	CHHP M1/M2 N1/N2	KIT1392E
kit gasket and terminal for motor change compressor CHHP	CHHP K1/K2	KIT1481E
kit gasket and terminal for motor change compressor CHHP	CHHP L1/L2	KIT1482E
kit gasket and terminal for motor change compressor CHHP	CHHP M1/M2	KIT1483E
kit gasket and terminal for motor change compressor CHHP	CHHP N1/N2	KIT1484E
kit temp sensor repair (requires GKT01642 for 130/215T or GKT01653 for 255/300T or GKT02822 for 380/450T)	CHHA	KIT09700
kit bearing housing to rotor motor housing o-ring replacement kit, 70T	CHHB	KIT06279
kit piston B frame without piston	CHHC	KIT08333
kit piston C frame without piston	CHHC	KIT08334
kit piston D & E frame piston	CHHC	KIT08061
kit piston D & E frame without piston	CHHC	KIT08335
kit piston CHHN 60T	CHHN	KIT07618
kit piston CHHN 40T	CHHN	KIT07620
kit piston CHHA R150 without piston	CHHA	KIT08323
kit piston CHHA R200 without piston	CHHA	KIT08325
kit piston CHHA R300 without piston	CHHA	KIT08328
kit piston CHHA R400 without piston	CHHA	KIT08331
kit piston CHHA, R400	CHHA	KIT06604
kit sound attenuator box GP2 compressor-M1-M2-N1-RTAC+ phase 1	CHHP	KIT11111E
kit sound attenuator box RTAC+ size 230 to 400-circuit 1a/2a-compressor GP2	CHHP	KIT1346E
kit sound attenuator box RTAC+ size 230 to 400-circuit 1b/2b-compressor GP2	CHHP	KIT1347E
kit sound attenuator box RTAC+ size 250 to 300-circuit 2a-compressor GP2	CHHP	KIT1348E
kit insulation suction line RTAC 230-240-250-LN In unit	CHHP	KIT1324E
kit insulation discharge line RTAC 230 to 400-LN-NNS unit	CHHP	KIT1330E



SEMI-HERMETIC SCREW COMPRESSORS

PARTS FOR SCREW COMPRESSORS

PART DESCRIPTION	COMPRESSOR	ORDERING NUMBER
Terminal board retrofit kit-Compressor CHHB	All	KIT0945E
Terminal board retrofit kit-Compressor CHHC	All	KIT06841
Crankcase heater	CHHB	HTR02047



GASKET KITS FOR MOTOR CHANGE

PARTS DESCRIPTION	USED ON	ORDERING NUMBER
kit gasket and terminal for motor change compressor CHHP	CHHP K1/K2	KIT1481E
kit gasket and terminal for motor change compressor CHHP	CHHP L1/L2	KIT1482E
kit gasket and terminal for motor change compressor CHHP	CHHP M1/M2	KIT1483E
kit gasket and terminal for motor change compressor CHHP	CHHP N1/N2	KIT1484E
kit temp sensor repair (requires GKT01642 for 130/215T or GKT01653 for 255/300T or GKT02822 for 380/450T)	CHHA	KIT09700
kit bearing housing to rotor motor housing o-ring replacement kit, 70T	CHHB	KIT06279
kit piston B frame without piston	CHHC	KIT08333
kit piston C frame without piston	CHHC	KIT08334
kit piston D & E frame piston	CHHC	KIT08061
kit piston D & E frame without piston	CHHC	KIT08335
kit piston CHHN 60T	CHHN	KIT07618
kit piston CHHN 40T	CHHN	KIT07620
kit piston CHHA R150 without piston	CHHA	KIT08323
kit piston CHHA R200 without piston	CHHA	KIT08325
kit piston CHHA R300 without piston	CHHA	KIT08328
kit piston CHHA R400 without piston	CHHA	KIT08331
kit piston CHHA, R400	CHHA	KIT06604
kit sound attenuator box GP2 compressor-M1-M2-N1-RTAC+ phase 1	CHHP	KIT1111E
kit sound attenuator box RTAC+size 230 to 400-circuit 1a/2a-compressor GP2	CHHP	KIT1346E
kit sound attenuator box RTAC+size 230 to 400-circuit 1b/2b-compressor GP2	CHHP	KIT1347E
kit sound attenuator box RTAC+size 250 to 300-circuit 2a-compressor GP2	CHHP	KIT1348E
kit insulation suction line RTAC 230-240-250-LN In unit	CHHP	KIT1324E
kit insulation discharge line RTAC 230 to 400-LN-NNS unit	CHHP	KIT1330E

SEMI-HERMETIC SCREW COMPRESSORS

MAINTENANCE PARTS FOR SCREW COMPRESSORS

UNITS	COMPRESSOR TYPE	QTY OF CIRCUIT/COMPRESSOR	REFRIGERANT	REFRIGERANT FILTERS	OIL FILTERS	OIL FILTER GASKET
RTAB 108/109/110	IS CHHB	1 circuit w/1 compressor	R22/R134A/R404A	COR0007E	ELM01042/ELM0016E	RNG01248/RNG0201E
RTAA/B 213/214/215/216/217	IS CHHB	2 circuit w/1 compressor	R22/R134A/R404A	COR0007E	ELM01042/ELM0016E	RNG01248/RNG0201E
RTAA/B 207/209/210/211/212	GP1 CHHN	2 circuit w/1 compressor	R22/R134A/R404A	COR0007E	FLR01353	GKT03826
RTAB 220	GP1 CHHN	2 circuit w/2 compressors	R22/R134A/R404A	COR0007E	FLR01353	GKT03826
RTAA 322/324/328	IS CHHB	1 circuit w/1 compressor and 1 circuit w/2 compressors	R22/R404A	COR0007E	ELM01042/ELM0016E	RNG01248/RNG0201E
RTAA 430/432/434	IS CHHB	2 circuit w/2 compressors	R22/R134A/R404A	COR0007E	ELM01042/ELM0016E	RNG01248/RNG0201E
RTXA 209/210/211/212	GP1	2 circuit w/1 compressor	R22	COR0007E	FLR01353	GKT03826
RTRA 107	GP1 CHHN	1 circuit w/1 compressor	R22/R134A/R404A	COR0007E	FLR01353	GKT03826
RTRA 108/109/110	IS CHHB	1 circuit w/1 compressor	R22/R134A/R404A	COR0007E	ELM01042/ELM0016E	RNG01248/RNG0201E
RTAC 130 TO 200	GP2 CHHP	2 circuit w/1 compressor	R134A	KIT07614	FLR03434	GKT03852+RNG01697+RNG0208E+PLU00900
RTAC 230/240/250/275/300	GP2 CHHP	1 circuit w/1 compressor and 1 circuit w/2 compressors	R134A	KIT07614	FLR03434	GKT03852+RNG01697+RNG0208E+PLU00900
RTAC 300/350/400	GP2 CHHP	2 circuit w/2 compressors	R134A	KIT07614	FLR03434	GKT03852+RNG01697+RNG0208E+PLU00900
RTAD	GP2 CHHP	2 circuit w/1 compressor	R134A	KIT07614	FLR03434	GKT03852+RNG01697 +PLU00900
RTWA/RTUA 108/109/110	IS CHHB	1 circuit w/1 compressor	R22/R134A/R404A	COR0007E	ELM01042/ELM0016E	RNG01248/RNG0201E
RTWA/RTUA 207/209/211/212	GP1 CHHN	2 circuit w/1 compressor	R22/R134A/R404A	COR0007E	FLR01353	GKT03826
RTWA/RTUA 213/215/216/217	IS CHHB	2 circuit w/1 compressor	R22/R134A/R404A	COR0007E	ELM01042/ELM0016E	RNG01248/RNG0201E
RTWB/RTUB	GP2 CHHP	2 circuit w/1 compressor	R134A	KIT07614	FLR03434	GKT03852+RNG01697 +PLU00900
RTHA 130**	CHHA 120	1 circuit w/1 compressor	R22/R134A	FLR00779/RNG01410	DESIGN A/B : FLR00779 DESIGN C: ELM01042	DESIGN A/B : RNG01410 DESIGN C: RNG01248
RTHA 150**	CHHA 140	1 circuit w/1 compressor	R22/R134A	FLR00779/RNG01410	DESIGN A/B : FLR00779 DESIGN C: ELM01042	DESIGN A/B : RNG01410 DESIGN C: RNG01248
RTHA 180**	CHHA 170	1 circuit w/1 compressor	R22/R134A	FLR00779/RNG01410	DESIGN A/B : FLR00779 DESIGN C: ELM01042	DESIGN A/B : RNG01410 DESIGN C: RNG01248
RTHA 215**	CHHA 200	1 circuit w/1 compressor	R22/R134A	FLR00779/RNG01410	DESIGN A/B : FLR00779 DESIGN C: ELM01042	DESIGN A/B : RNG01410 DESIGN C: RNG01248
RTHA 255**	CHHA 240	1 circuit w/1 compressor	R22/R134A	FLR03018/RNG01157	DESIGN A/B : FLR00779 DESIGN C: ELM01042	DESIGN A/B : RNG01410 DESIGN C: RNG01248
RTHA 300**	CHHA 280	1 circuit w/1 compressor	R22/R134A	FLR03018/RNG01157	DESIGN A/B : FLR00779 DESIGN C: ELM01042	DESIGN A/B : RNG01410 DESIGN C: RNG01248
RTHA 380**	CHHA 340	1 circuit w/1 compressor	R22/R134A	FLR00952/RNG01230	DESIGN A/B : FLR00779 DESIGN C: ELM01042	DESIGN A/B : RNG01410 DESIGN C: RNG01248
RTHA 450**	CHHA 400	1 circuit w/1 compressor	R22/R134A	FLR00952/RNG01230	DESIGN A/B : FLR00779 DESIGN C: ELM01042	DESIGN A/B : RNG01410 DESIGN C: RNG01248
RTHB 130 TO 300	CHHA	1 circuit w/1 compressor	R22	FLR03018/RNG01157	ELM01042	RNG01248
RTHB 380/450	CHHA	1 circuit w/1 compressor	R22	FLR00952/RNG01230	ELM01042	RNG01248
RTHC***	CHHC	1 circuit w/1 compressor	R134A	DESIGN A: ELM01405 DESIGN B: ELM0017E	DESIGN A: ELM01405 DESIGN B: ELM0017E	DESIGN A/B: RNG0201E
RTHD	CHHC	1 circuit w/1 compressor	R134A	ELM0017E+RNG0201E	ELM0017E+RNG0201E	RNG0201E

REMANUFACTURED RECIPROCATING COMPRESSORS

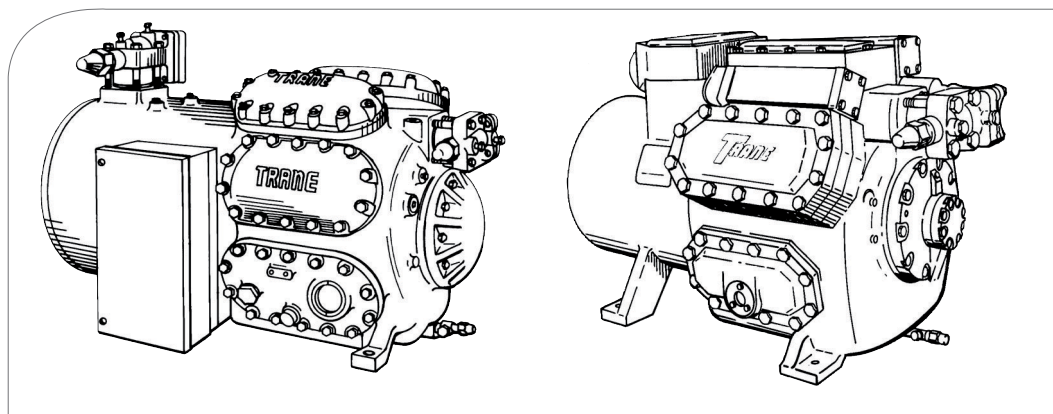
SEMI-HERMETICS

MODEL NUMBER	COOLING CAPACITY (KW)(1)	NUMBER OF STEPS	OIL QTY (L)	DIM. (L X L X H) (MM)	SHIPPING WEIGHT (KGS)	CAPACITY CONTROL (2)	SPECIAL POWER SUPPLY (2)	LOW LIFT VALVES (2)	SUCTION UNLOADING (2)	R134A OPTION (2)	ORDERING NUMBER
CRHF081	110.07	4	9.7	1200X800X800	355.0	-	OPT0006E	OPT0007E	OPT0008E	OPT0014E	COM0118E
CRHE500	148.5	4	15.0	1200X800X900	580.0	-	OPT0006E	OPT0007E	OPT0008E	OPT0014E	COM0119E
CRHE600	184.8	4	16.0	1200X800X900	650.0	-	OPT0006E	OPT0007E	OPT0008E	OPT0014E	COM0120E
CRHE750	226.2	4	16.0	1200X800X900	650.0	-	OPT0006E	OPT0007E	OPT0008E	OPT0014E	COM0121E
CRHE1CO	301.8	4	17	1200X800X900	750.0	-	OPT0006E	OPT0007E	OPT0008E	OPT0014E	COM0122E
CRHR500	154.4	2	13.0	1200X800X800	500.0	OPT0001E	OPT0002E	OPT0003E	-	OPT0014E	COM0166E
CRHR600	187.0	2	13.0	1200X800X800	500.0	OPT0001E	OPT0002E	OPT0003E	-	OPT0014E	COM0167E

(1) Duties given at 54.4°C condensing temp., 7.2°C evaporating temp., 8.5°C subcooling, 11.1°C superheat. (ARI conditions).

(2) See factory installed options table.

Oil supplied loose for on site filling Parts winding motor 400V/50Hz/3Ph suitable for 380V, 415V/50Hz/3Ph or 460V/60Hz/3Ph.



FACTORY INSTALLED OPTIONS (SEMI-HERMETIC)

PART DESCRIPTION	COMPRESSOR	ORDERING NUMBER
3 Step capacity control	M & R except R400	OPT0001E
Motor voltage 230V/50Hz/3Ph	E, F, M or R	OPT0002E
Low lift valve	R	OPT0003E
Motor voltage 230V/50Hz/3Ph	E, F, S or H	OPT0006E
Low lift valve	E, F, S or H	OPT0007E
Capacity control	E, F, S or H	OPT0008E
R134a option	All	OPT0014E

REMANUFACTURED RECIPROCATING COMPRESSORS

OPEN

MODEL NUMBER	COMPRESSOR TYPE	OIL QANTITY (L)	SHIPPING WEIGHT (KG)	ORDERING NUMBER
CROF 600	3E40	15.0	350	COM0110E
CROF 700	3E50	16.0	420	COM0111E

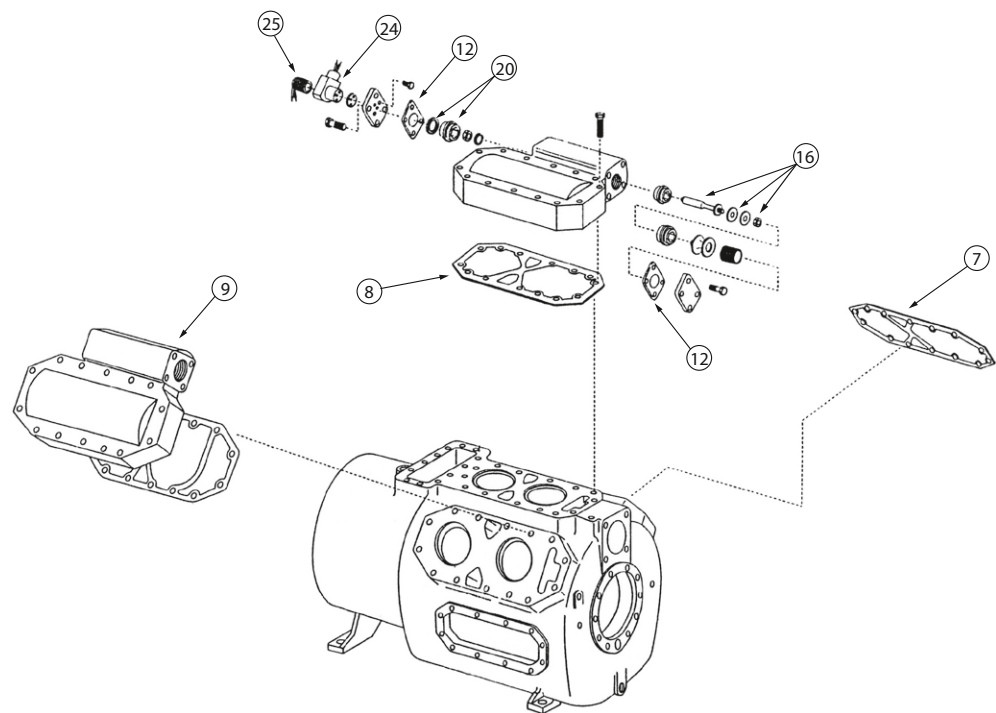
FACTORY INSTALLED OPTIONS (OPEN)

PART DESCRIPTION	ORDERING NUMBER
4 steps capacity control	OPT0012E
Low lift valve	OPT0013E

CRHR

GENERAL ASSEMBLY

ITEM	PART DESCRIPTION	ORDERING NUMBER
7	CYLINDER HEAD GASKET	GKT02705
8	CYLINDER HEAD GASKET	GKT02714
9	CYLINDER HEAD GASKET	GKT02707
12	CHECK VALVE GASKET	GKT02701
16	UNLOADER VALVE ASSY	VAL01118
20	UNLOADER PISTON ASSY	PST00049
24	2 WAYS SOLENOID VALVE	VAL10427 + COL15650
25	SOLENOID COIL 120V 50-60HZ	COL03780
25	SOLENOID COIL 220V 50-60HZ	COL01639
*	CRANKCASE HEATER	HTR01566
*	GASKETS AND O'RINGS KIT COMPRESSORS R35-R40	KIT02068
*	GASKETS AND O'RINGS KIT COMPRESSOR R50-R60	KIT02069

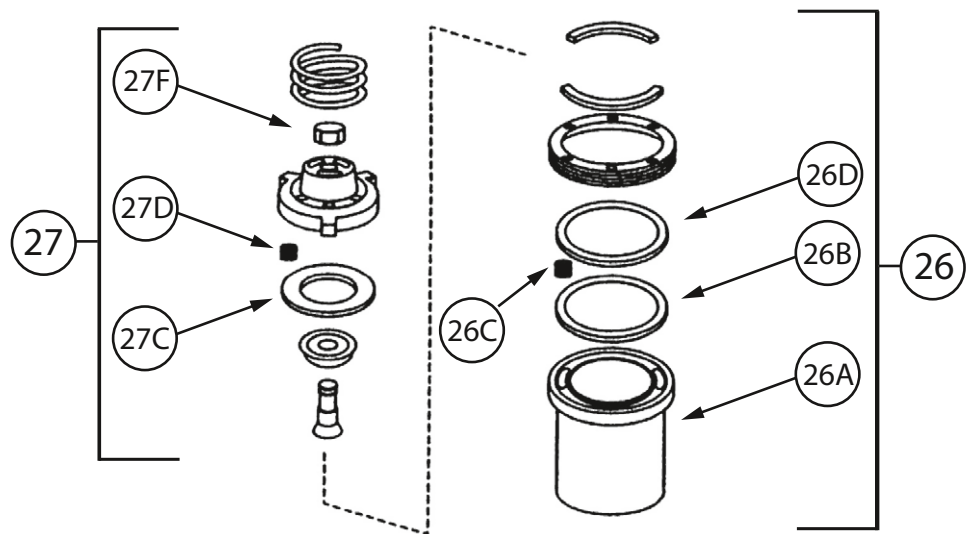


CRHR

CYLINDER LINER AND DISCHARGE VALVE ASSEMBLY

ITEM	PART DESCRIPTION	ORDERING NUMBER
26	CYLINDER LINER ASSY	LNR00038
27	DISCHARGE VALVE ASSY	VAL01121
26A	CYLINDER LINER	LNR00039
26B	SUCTION VALVE	VAL01123
26C	SUCTION VALVE SPRING	SPG00285 (1)
26D	O'RING	RNG00410
27C	DISCHARGE VALVE	VAL01122
27D	DISCHARGE VALVE SPRING	SPG00277 (1)
27F	LOCK NUT	NUT00970
*	VALVE PLATE COMPRESSOR	PLT00570

(1): set of 50 pieces.

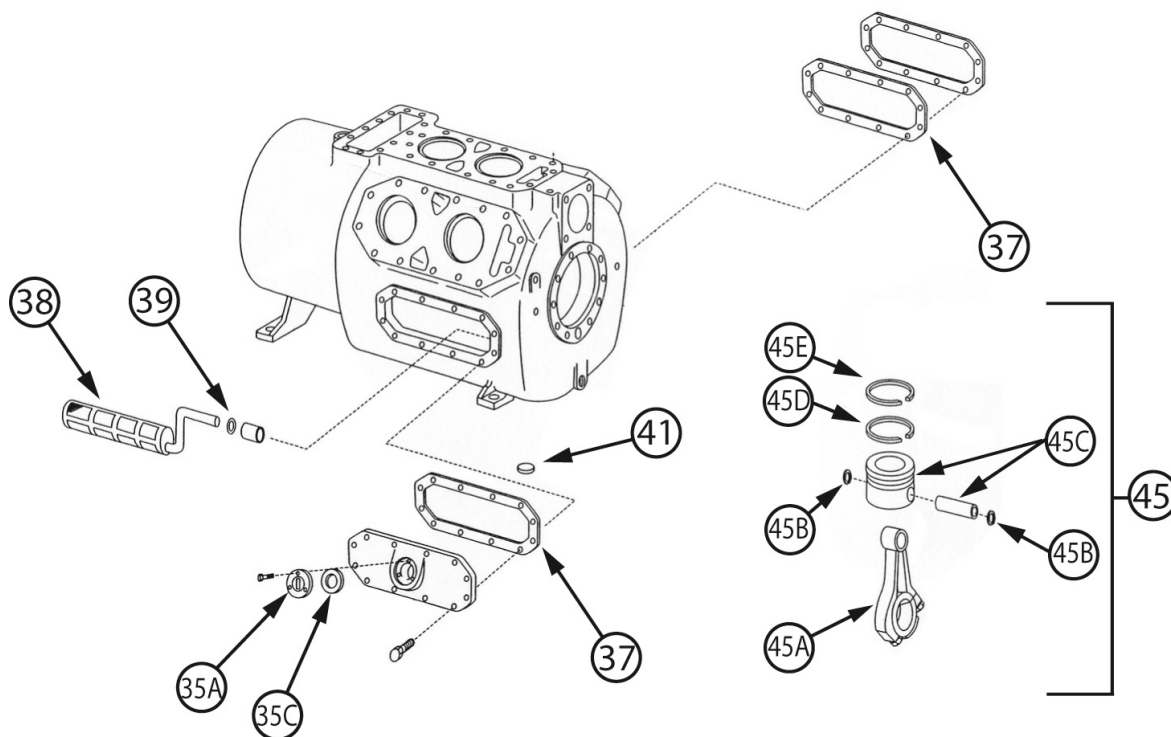


3

CRHR

COVER HANDHOLE-PISTON AND ROD ASSEMBLY

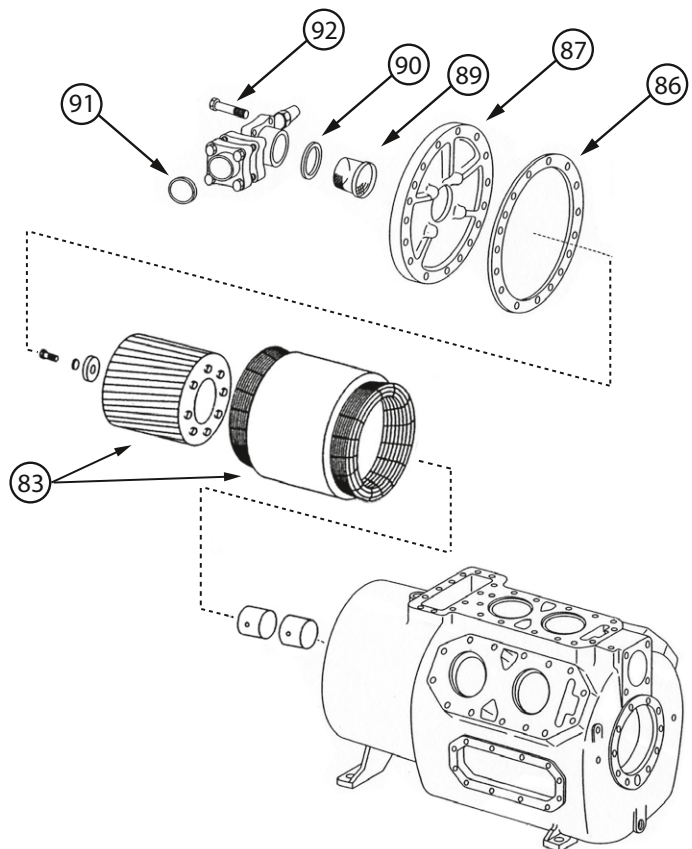
ITEM	PART DESCRIPTION	ORDERING NUMBER
37	HANDHOLE COVER GASKET	GKT03663
38	OIL STRAINER COMPRESSOR R35/R40	SRA00855
38	OIL STRAINER COMPRESSOR R50/R60	SRA00854
39	O-RING	RNG00145
41	MAGNET COVER	MAG00015
45	PISTON WITH ROD ASSY COMPRESSOR R40/R60	PST00043
35A	SIGHT GLASS	GLS00030
35C	O-RING	RNG00818
45A	CONNECTING ROD COMPRESSOR R35/R50	ROD00163
45A	CONNECTING ROD COMPRESSOR R40/R60	ROD00149
45B	RETAINING RING	RNG00087
45C	PISTON WITH AXEL	PST00044
45D	BOTTOM COMPRESSION RING	RNG00411
45E	TOP COMPRESSION RING	RNG00412



CRHR

MOTOR ASSEMBLY

ITEM	PART DESCRIPTION	ORDERING NUMBER
83	STATOR ROTOR 30.0KW 397/50/3 COMPRESSOR R35/R40	MOT0197E
83	STATOR ROTOR 30.0KW 230/50/3 COMPRESSOR R35/R40	MOT0198E
83	STATOR ROTOR 37.0KW 230/50/3 COMPRESSOR R50	MOT0200E
83	STATOR ROTOR 45.0KW 230/50/3 COMPRESSOR R60	MOT0202E
86	SUCTION COVER GASKET COMPRESSOR R35/R40	GKT04150
86	SUCTION COVER GASKET COMPRESSOR R50/R60	GKT04151
89	SUCTION GAS STRAINER COMPRESSOR R35/R40	SRA00064
89	SUCTION GAS STRAINER COMPRESSOR R50/R60	SRA00073
90	SERVICE VALVE GASKET COMPRESSOR R35/R40	GKT03659
90	SERVICE VALVE GASKET COMPRESSOR R50/R60	GKT03660
91	SERVICE VALVE GASKET COMPRESSOR R35/R40	GKT03647
91	SERVICE VALVE GASKET COMPRESSOR R50/R60	GKT03660
92	SERVICE VALVE COMPRESSOR R35/R40	VAL00035
92	SERVICE VALVE COMPRESSOR R50/R60	VAL00043

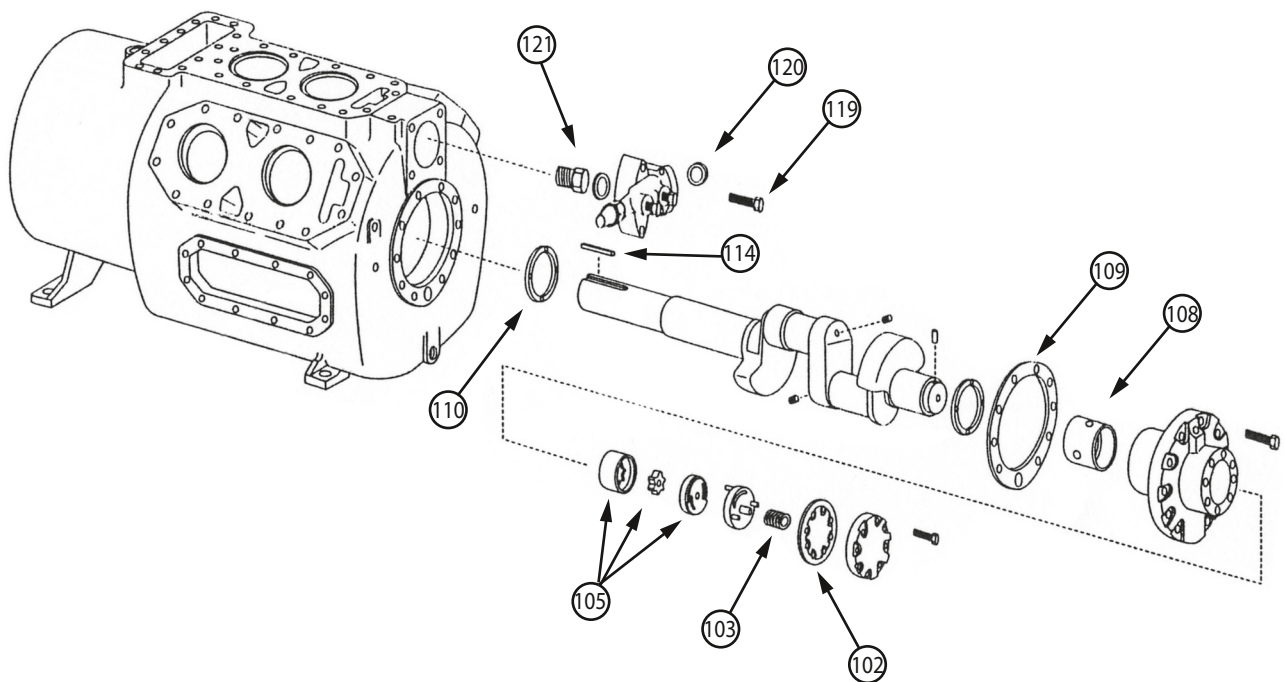


CRHR

BEARING ASSEMBLY

ITEM	PART DESCRIPTION	ORDERING NUMBER
102	OIL PUMP COVER GASKET	GKT03658
103	OIL PUMP SPRING	SPG00861 (1)
105	OIL PUMP	PMP00460
108	BEARING	BRC00289
109	BEARING HEAD GASKET	GKT03662
110	THRUST BEARING	BRC00290
115	CHARGING VALVE	VAL10691
119	SERVICE VALVE COMPRESSOR R35/R40	VAL00008
119	SERVICE VALVE COMPRESSOR R50/R60	VAL00009
120	SERVICE VALVE GASKET COMPRESSOR R35/R40	GKT03647
120	SERVICE VALVE GASKET COMPRESSOR R50/R60	GKT03659
121	RELIEF VALVE 385 PSI COMPRESSOR R35/R40	VAL06712
121	RELIEF VALVE 385 PSI COMPRESSOR R50/R60	VAL06711

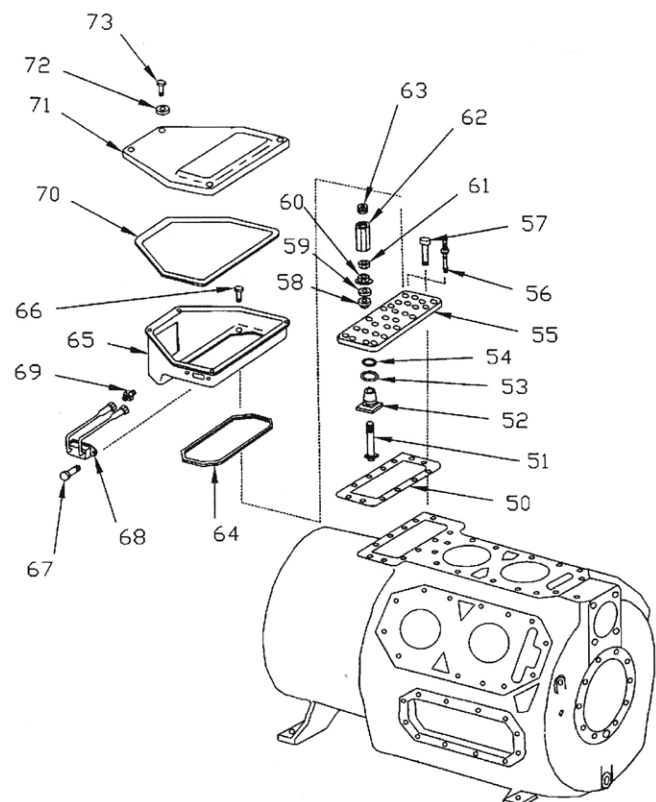
(1): set of 20 pieces.



CRHR

JUNCTION BOX ASSEMBLY

ITEM	PART DESCRIPTION	ORDERING NUMBER
50	TERMINAL PLATE GASKET COMPRESSOR R35/R40	GKT03656
50	TERMINAL PLATE GASKET COMPRESSOR R50/R60	GKT03661
51	TERMINAL STUD COMPRESSOR R35/R40	STU00067
51	TERMINAL STUD COMPRESSOR R50/R60	STU00068
52	INTERNAL TERMINAL PLATE INSULATION COMPRESSOR R35/R40	INS00197
52	INTERNAL TERMINAL PLATE INSULATION COMPRESSOR R50/R60	INS00199
53	O-RING COMPRESSOR R35/R40	RNG00037
53	O-RING COMPRESSOR R50/R60	RNG00891
54	O-RING COMPRESSOR R35/R40	RNG00038
54	O-RING COMPRESSOR R50/R60	RNG00413
56	HERMETIC TERMINAL	TER00008
58	EXTERNAL TERMINAL PLATE INSULATION COMPRESSOR R35/R40	INS00198
58	EXTERNAL TERMINAL PLATE INSULATION COMPRESSOR R50/R60	INS00200
62	TERMINAL CONNECTOR LUG COMPRESSOR R35/R40	LUG00011
62	TERMINAL CONNECTOR LUG COMPRESSOR R50/R60	LUG00004
64	JUNCTION BOX COVER GASKET COMPRESSOR R35/R40	GKT00988
64	JUNCTION BOX COVER GASKET COMPRESSOR R50/R60	GKT00989
68	PRESSURE DIFFERENTIAL CONTROL 15 PSI OPEN/ 19 PSI CLOSE	CNT05044
69	ADAPTER	ADP00012
70	JUNCTION BOX COVER GASKET COMPRESSOR R35/R40	KIT06337
70	JUNCTION BOX COVER GASKET COMPRESSOR R50/R60	KIT06659



CRHR

REVISION KITS

KIT DESCRIPTION	ACTION	COMPRESSOR TYPE	ORDERING NUMBER
15 000 Hours top overhaul kit	Valve replacement	CRHR350/400	KIT0892E
30 000 Hours major overhaul kit	Compressor maintenance	CRHR350/400	KIT0891E
Full overhaul kit	-	CRHR350	KIT0902E
Full overhaul kit	-	CRHR400	KIT0890E
15 000 Hours top overhaul kit	Valve replacement	CRHR500/600	KIT0404E
30 000 Hours major overhaul kit	Compressor maintenance	CRHR500/600	KIT0405E
Full overhaul kit	-	CRHR500	KIT0903E
Full overhaul kit	-	CRHR600	KIT0406E
Kit check valve compressor "R" design B-C	-	CRHR	KIT0068E



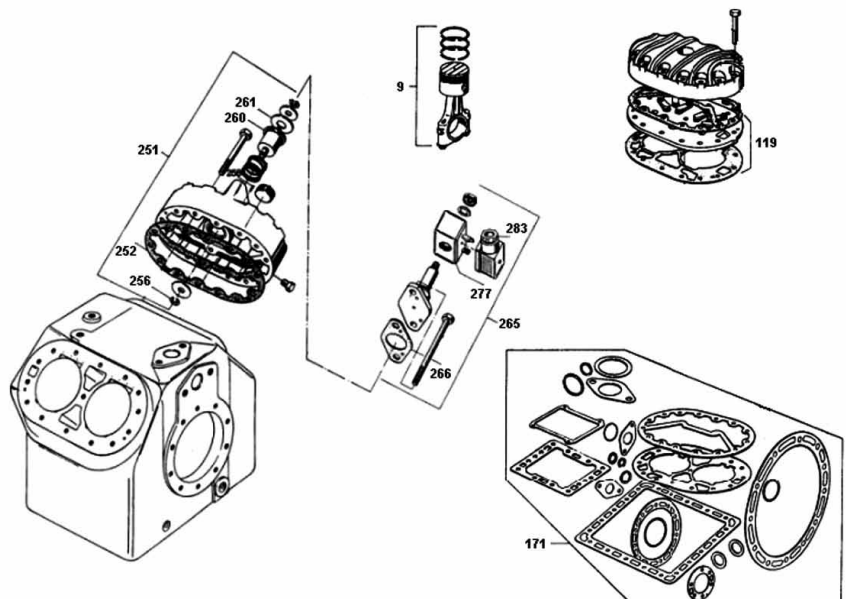
GASKET AND O-RING KITS

KIT DESCRIPTION	COMPRESSOR TYPE	ORDERING NUMBER
KIT O-RING CYLINDER	COMPRESSOR "F"	KIT00040
KIT GASKET AND O-RING	COMPRESSOR "F"	KIT02333
KIT GASKET AND O-RING OPEN 4-5-6-8	COMPRESSOR "F" DESIGN A-B-C	KIT02338
KIT GASKET AND O-RING	COMPRESSOR "M" 3-4 CYLINDER	KIT02330
KIT GASKET AND O-RING	COMPRESSOR "M5-M6"	KIT02331

CRHZ

GENERAL ASSEMBLY

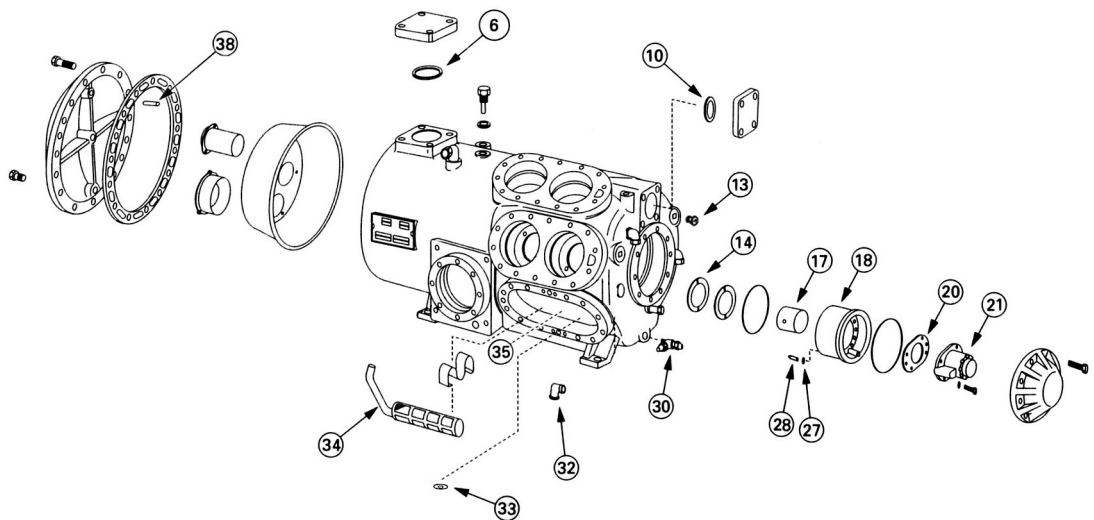
ITEM	PART DESCRIPTION	ORDERING NUMBER
9	CONNECTING ROD/PISTON/RINGS CRHZ200-300	ROD0002Z
9	CONNECTING ROD/PISTON/RINGS CRHZ250-400	ROD0003Z
119	VALVE PLATE COMPLETE CRHZ150	PLT0017Z
119	VALVE PLATE COMPLETE CRHZ154-256	PLT0005Z
119	VALVE PLATE COMPLETE CRHZ200-300	PLT0006Z
119	VALVE PLATE COMPLETE CRHZ250-400	PLT0007Z
171	KIT OF 21 GASKETS CRHZ154	GKT0016Z
171	KIT OF 21 GASKETS CRHZ200	GKT0017Z
171	KIT OF 21 GASKETS CRHZ300	GKT0018Z
171	KIT OF 21 GASKETS CRHZ400	GKT0037Z
251	KIT CYLINDER HEAD-2 STAGES	HD0005Z
252	CYLINDER HEAD GASKET CRHZ154 TO 400	GKT0034Z
256	CAPACITY REGULATOR CLIP	ASS0150Z
260	CAPACITY REGULATOR PISTON	ASS0150Z
261	CAPACITY REGULATOR GASKET	ASS0150Z
265	2 WAYS SOLENOID VALVE	VAL0008Z
266	SOLENOID VALVE GASKET	GKT0035Z
277	SOLENOID VALVE COIL 200/50/3	COL0002Z
283	ELECTRIC CONNECTOR	CON0006Z
*	OIL PUMP	PMP0001Z
*	OIL PUMP GASKET	GKT0002Z
*	CRANKCASE HEATER 140W CRHZ 150 TO 400	HTR0001Z
*	MOTOR PROTECTION DEVICE	CNT0002Z
*	DRAIN VALVE	VAL0017Z
*	STATOR ROTOR 15KW 400V/50HZ/3 CRHZ150-154	MOT0001Z
*	STATOR ROTOR 18,5KW 400V/50HZ/3 CRHZ200	MOT0002Z
*	STATOR ROTOR 22KW 400V/50HZ/3 CRHZ250	MOT0003Z
*	STATOR ROTOR 26KW 400V/50HZ/3 CRHZ300	MOT0004Z
*	STATOR ROTOR 30KW 400V/50HZ/3 CRHZ400	MOT0005Z



CRHE

GENERAL ASSEMBLY

ITEM	PART DESCRIPTION	ORDERING NUMBER
6	GASKET SERVICE VALVE	GKT03670
7	STRAINER SUCTION GAS	SRA00149
10	GASKET SERVICE VALVE	GKT03660
13	VALVE RELIEF 385 PSI	VAL06711
14	BEARING THRUST	BRC00046
17	BEARING	BRC00066
18	BEARING END PUMP	BRC01174
20	GASKET OIL PUMP	GKT02719
21	OIL PUMP	PMP00009
27	O-RING	RNG00069
28	VALVE	VAL00138
30	CHARGING VALVE	VAL00031
32	ADAPTER COMPRESSION ELBOW	ADP00082
33	MAGNET COVER	MAG00015
34	STRAINER	SRA00033
35	OIL LINE KIT COMPRESSOR E4	KIT00139
35	OIL LINE KIT COMPRESSOR E5	KIT00140
35	OIL LINE KIT COMPRESSOR E6	KIT00141
35	OIL LINE KIT COMPRESSOR E8	KIT00142
*	GASKET AND O-RING KIT MODEL E OPEN	KIT02065
*	GASKET AND O-RING KIT MODEL E SEMI-HERMETIC, A TO L DESIGN	KIT02066
*	GASKET AND O-RING KIT MODEL E SEMI-HERMETIC, M DESIGN	KIT02067
*	SEAL SHAFT FOR OPEN COMPRESSOR E6 E8, A TO G DESIGN	SEL00022
*	SEAL SHAFT FOR OPEN COMPRESSOR E6 E8, G DESIGN	SEL00193
*	CRANKCASE HEATER	HTR01566
*	SERVICE VALVE 2"1/8	VAL00009
*	SERVICE VALVE 2"5/8	VAL00035
*	SERVICE VALVE 3"1/8	VAL00043
*	SERVICE VALVE 4"1/8	VAL00042
*	SET OF MOUNTING ISOLATOR	MNT0105E
*	SUCTION FILTER	SRN00004
*	OIL FILTER	FLR00046

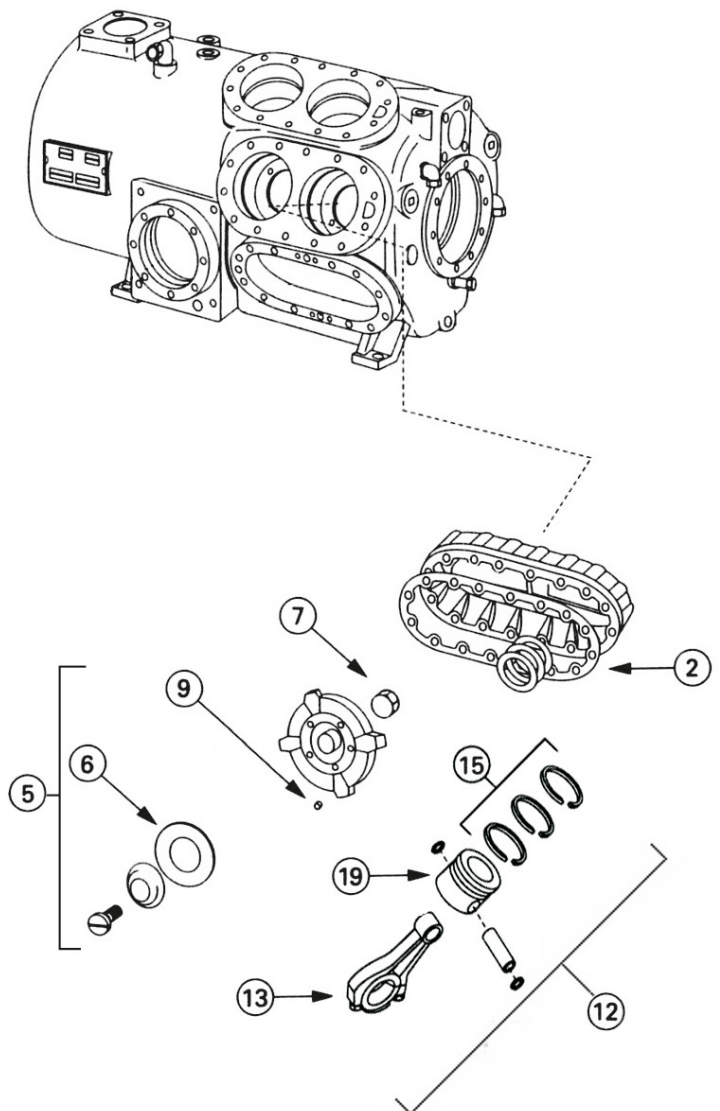


CRHE

DISCHARGE VALVE-PISTON AND CONNECTING ROD ASSEMBLY

ITEM	PART DESCRIPTION	ORDERING NUMBER
2	CYLINDER HEAD GASKET	GKT04138
5	DISCHARGE VALVE ASSY	VAL01090
6	DISCHARGE VALVE RING	RNG01252
7	NUT	NUT00970
9	DISCHARGE VALVE SPRING	SPG00277 (1)
12	PISTON AND CONNECTING ROD ASSY	PST00017
13	CONNECTING ROD	ROD00034
19	PISTON INCLUDING AXLE AND CLIPS	PST00018

(1): set of 50 pieces.

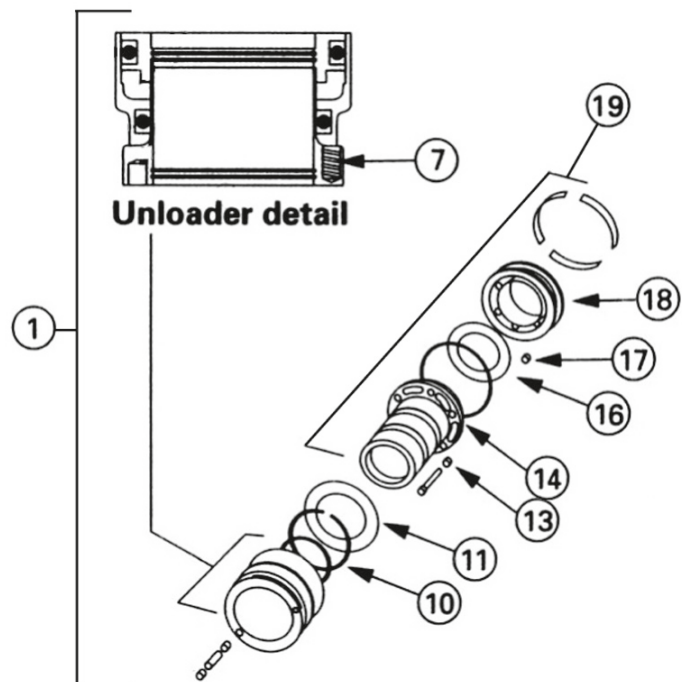


CRHE

CYLINDER LINER ASSEMBLY

ITEM	PART DESCRIPTION	ORDERING NUMBER
1	CYLINDER LINER ASSY WITH UNLOADER	LNRO0034
7	UNLOADER PISTON SPRING	SPG00278 (1)
10	RETAINING RING	RNG00229
11	TAKE UP RING	RNG00088
13	UNLOADER LIFT PIN SPRING	SPG00282 (1)
14	CYLINDER LINER	LNRO0036
16	SUCTION VALVE	VAL01091
17	SUCTION VALVE SPRING	SPG00276 (1)
18	SUCTION VALVE PLATE	PLT00500
19	CYLINDER LINER ASSY	LNRO0033
*	CYLINDER O-RING KIT (QTY 1 PER CYLINDER)	KIT00180
*	O-RING -SUCTION VALVE PLATE	RNG00065

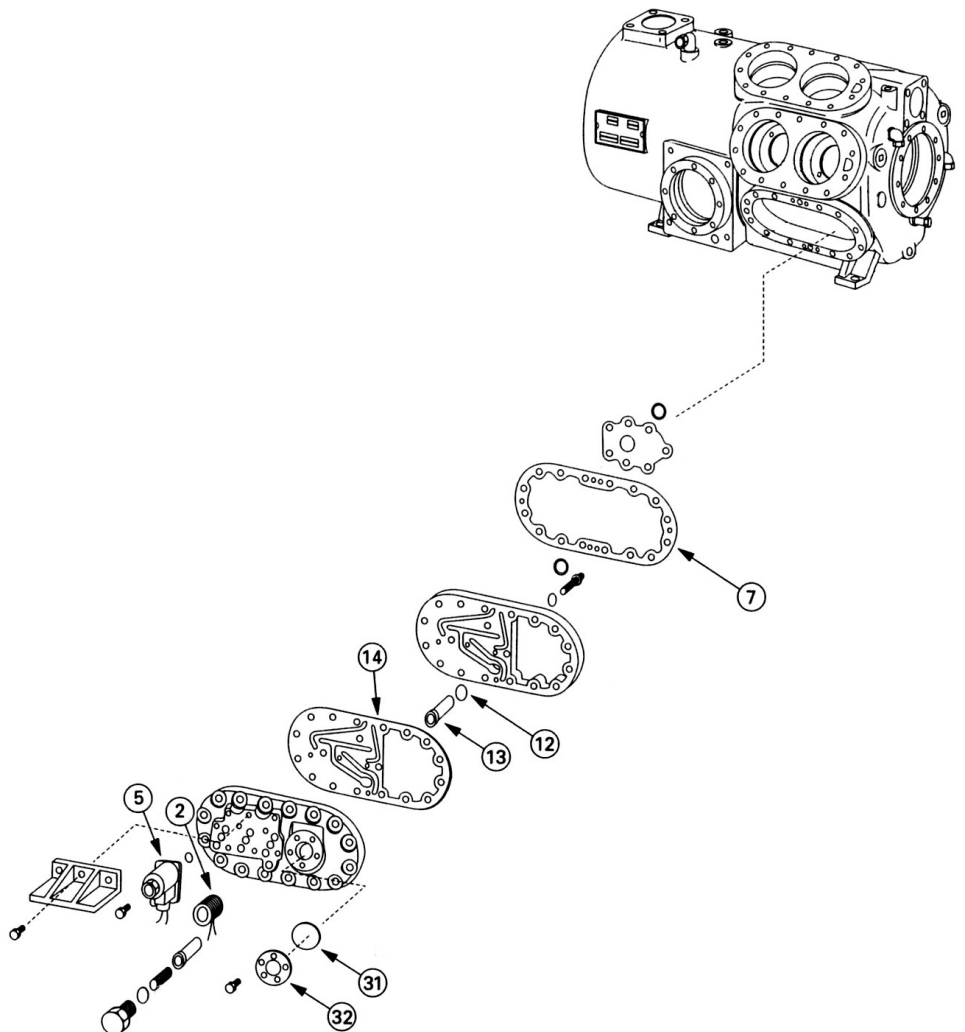
(1): set of 50 pieces.



CRHE

CONTROL HANDHOLE COVER SUCTION AND SOLENOID VALVE

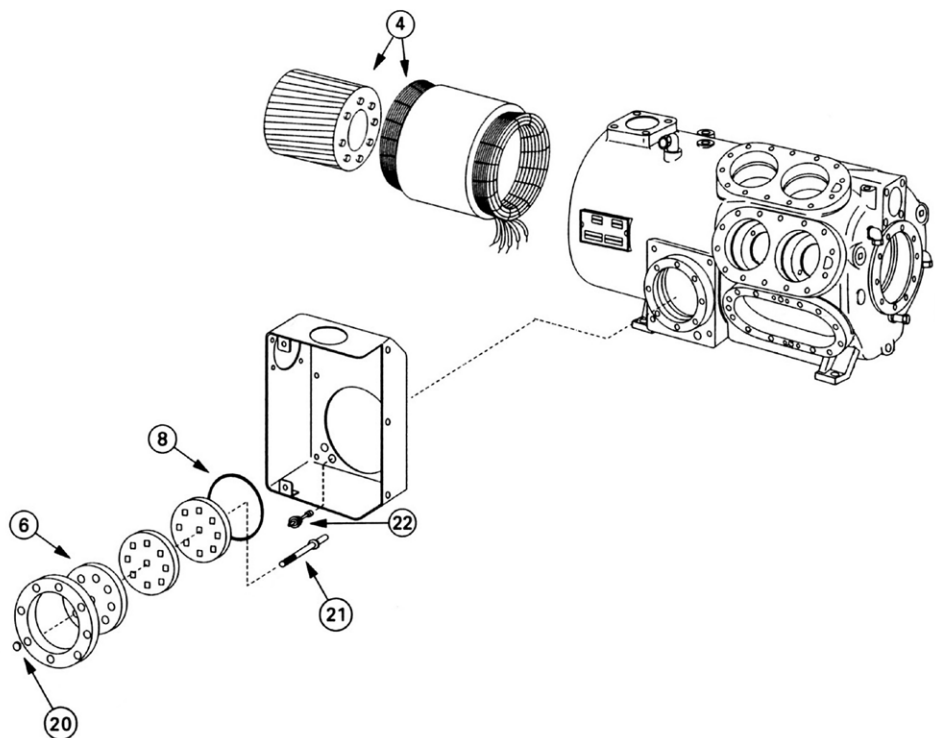
ITEM	PART DESCRIPTION	ORDERING NUMBER
2	COIL HOLDING 115V 50/60HZ	COL03780
2	COIL HOLDING 220V 50/60HZ	COL01639
5	3 WAY SOLENOID VALVE	VAL10643
5	COIL SOLENOID 110/50-60	COL15650
7	HANDHOLE COVER GASKET	GKT04140
12	O-RING	RNG00052
13	COVER	COV00004
14	DISTRIBUTOR GASKET	GKT02686
17	DISTRIBUTOR GASKET	GKT02721
21	CAPACITY CONTROL ASSY	CNT00004
31	O-RING	RNG00207
32	SIGHT GLASS	GLS00034
*	STRAINER HANDLE COVER	SRN00002



CRHE

JUNCTION BOX AND MOTOR COMPRESSOR DESIGN A TO L

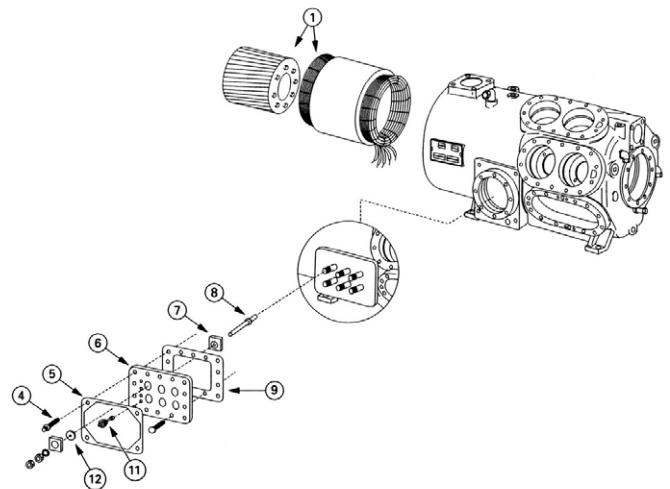
ITEM	PART DESCRIPTION	ORDERING NUMBER
4	REWINDING STATOR ROTOR-37 KW-397/50/3-COMPRESSOR E4	MOT0179R
4	REWINDING STATOR ROTOR-37KW-230/50/3-COMPRESSOR E4	MOT0180R
4	REWINDING STATOR ROTOR-44 KW-397/50/3-COMPRESSOR E5	MOT0181R
4	REWINDING STATOR ROTOR-44KW-230/50/3 COMPRESSOR E5	MOT0182R
4	STATOR ROTOR 55KW-397/50/3-COMPRESSOR E6	MOT0183E
4	REWINDING STATOR ROTOR-55KW-230/50/3 COMPRESSOR E6	MOT0184R
4	STATOR ROTOR 74KW-397/50/3-COMPRESSOR E8	MOT0185E
4	REWINDING STATOR ROTOR-740KW-230/50/3 COMPRESSOR E8	MOT0186R
6	TERMINAL PLATE	PLT00216
8	O-RING	RNG01433
20	O-RING	RNG0021E
21	TERMINAL STUD	TER0001E
22	TERMINAL HERMETIC	TER00008
*	O-RING BETWEEN SCREW STATOR AND CASING	RNG00133
*	GASKET SUCTION COVER	GKT04141



CRHE

JUNCTION BOX AND MOTOR COMPRESSOR DESIGN M

ITEM	PART DESCRIPTION	ORDERING NUMBER
1	STATOR ROTOR 75,0KW 397/50/3 COMPRESSOR E8	MOT0613E
4	TERMINAL STUD	STU00140
5	JUNCTION BOX GASKET	GKT02768
6	TERMINAL PLATE	PLT00970
7	TERMINAL STUD INSULATION O-RING	RNG01651
7	TERMINAL STUD INSULATION INSULATOR	INS02690
7	TERMINAL STUD INSULATION INSULATOR	INS02691
7	TERMINAL STUD INSULATION NUT	NUT00258
7	TERMINAL STUD INSULATION WASHER	WAS00582
8	TERMINAL STUD	TER00010
9	TERMINAL PLATE GASKET	GKT03669
11	TERMINAL HERMETIC	TER00008
12	TERMINAL STUD SEAL	RNG01651
*	O-RING BETWEEN SCREW STATOR AND CASING	RNG00133
*	GASKET SUCTION COVER	GKT04151



REVISION KITS

KIT DESCRIPTION	ACTION	COMPRESSOR TYPE	ORDERING NUMBER
15 000 Hours top overhaul kit	Valve replacement	L2E61/CRHE750	KIT0401E
30 000 Hours major overhaul kit	Compressor maintenance	L2E61/CRHE750	KIT0402E
Full overhaul kit	-	L2E61/CRHE750	KIT0403E
15 000 Hours top overhaul kit	Valve replacement	L2E81/CRHE1C0	KIT0407E
30 000 Hours major overhaul kit	Compressor maintenance	L2E81/CRHE1C0	KIT0408E
Full overhaul kit	-	L2E81/CRHE1C0	KIT0409E

DISCONNECT SWITCHES

SIRCO/FUSERBLOC (400V MAXI-3 PHASES)

MODEL NUMBER	FUSE DIMENSIONS AND QUANTITY REQUIRED	RATING (AMPS)	TYPE	ORDERING NUMBER
26033006+29990012	-	63	SIRCO	SWT0216E
26033008+29990012	-	80	SIRCO	SWT0217E
26033010+29990012	-	100	SIRCO	SWT0218E
260 R3013	-	125	SIRCO	SWT0175E
260 R3016	-	160	SIRCO	SWT0219E
260 R3025	-	250	SIRCO	SWT0176E
260 R3040	-	400	SIRCO	SWT0177E
260 R3063	-	630	SIRCO	SWT0179E
260 R3080	-	800	SIRCO	SWT0180E
260 R3100	-	1000	SIRCO	SWT0086E
260 R3120	-	1250	SIRCO	SWT0081E
36 T43005	Cartridge 14x51	50	FUSERBLOC	SWT0223E
361 R3012	Size 0 (x3)	125	FUSERBLOC	SWT0206E
36 T43016	Size 0 (x3)	160	FUSERBLOC	SWT0207E
36 T39626	Size 1 (x3)	250	FUSERBLOC	SWT0226E
36 T43039	Size 2 (x3)	400	FUSERBLOC	SWT0204E



OT (400V MAXI-3 PHASES)

MODEL NUMBER	RATING (AMPS)	ORDERING NUMBER
OT32 ET3	32	SWT0222E
OT63 ET3	63	SWT0231E
OT80 ET3	80	SWT0232E
OT125 ET3	125	SWT0233E



DISCONNECT SWITCHES

ISOLATING FUSES

MODEL NUMBER	PACKAGING	FUSE SIZE	SET POINT (AMPS)	ORDERING NUMBER
66010016	Set of 3 fuse	0	16	FUS0145E
66010032	Set of 3 fuse	0	32	FUS0137E
66930040	Set of 3 fuse	0	40	FUS0144E
66010050	Set of 3fuse	0	50	FUS0139E
66930063	Set of 3 fuse	0	63	FUS0119E
66930080	Set of 3 fuse	0	80	FUS0135E
66930100	Set of 3 fuse	0	100	FUS0118E
67030125	Set of 3 fuse	0	125	FUS0117E
66930125	Set of 3 fuse	0	125	FUS0124E
67030160	Set of 3 fuse	0	160	FUS0115E
67130160	Set of 3 fuse	1	160	FUS0148E
67230160	Set of 3 fuse	2	160	FUS0129E
66930160	Set of 3 fuse	0	160	FUS0142E
67130200	Set of 3 fuse	1	200	FUS0141E
67230200	Set of 3 fuse	2	200	FUS0113E
67230250	Set of 3 fuse	2	250	FUS0111E
67130250	Set of 3 fuse	1	250	FUS0149E
67230315	Set of 3 fuse	2	315	FUS0140E
67230400	Set of 3 fuse	2	400	FUS0127E
67230500	Set of 3 fuse	2	500	FUS0150E
67330500	Set of 3 fuse	3	500	FUS0136E
67330630	Set of 3 fuse	3	630	FUS0128E
67470630	1	4	630	FUS0095E
67470800	1	4	800	FUS0098E
67471000	1	4	1000	FUS0099E
67471200	1	4	1250	FUS0100E

Fuse type: time delay.



DISCONNECT SWITCHES

FUSE CARTRIDGE

REFERENCE	TYPE	SET POINT (AMPS)	PACKAGING	DIMENSIONS (DIAMETERXLENGTH)	ORDERING NUMBER
DF2EA40	AM	40.0	1	14.0x51.0	FUS0172E
60230040	AM	40.0	10	14.0x51.0	FUS0108E
60230025	AM	25.0	10	14.0x51.0	FUS0109E
60330063	AM	63.0	10	22.0x58.0	FUS0116E
60130010	AM	10.0	10	10.3x38.0	FUS0122E
60120006	GG	6.0	10	10.3x38.0	FUS0155E
60120008	GG	8.0	10	10.3x38.0	FUS0156E
60120010	GG	10.0	10	10.3x38.0	FUS0157E
ORBI 653750	F	2.0	10	5.0x20.0	FUS0165E
ORBI 654810	FA	8.0	10	6.3x31.5	FUS0167E

TIMERS

LA2/RE8

TYPE	SETTING RANGE	POWER SUPPLY	ORDERING NUMBER
RE8RA21FUTQ	3-300s	220/240V-50/60HZ	TMR0040E
LA2DT2	0.1s-1mn	24V-AC/DC	TMR0047E



4

ODM/PDM/D6D/STE2

TYPE	SETTING RANGE	POWER SUPPLY	ORDERING NUMBER
ODM1	0.1s-10h	24-230V/50-60HZ	TMR0026E
PDM10	0.1s-10h	220V/50-60HZ	TMR0029E
D6DET	0.1s-10h	24/240V AC	TMR0016E
STE2	0.1s-1s	220-230/50-60	TMR0039E



TIMERS

EAC

TYPE	SETTING RANGE	POWER SUPPLY	ORDERING NUMBER
EAC426/4.300	0-5 mn	24V/50-60HZ	TMR0044E



TP PNEUMATIC TIMER

TYPE	SUPPLIER REF	SETTING RANGE	ORDERING NUMBER
Pneumatic timer	TP180IA	10/180 s	TMR0025E



CIRCUIT BREAKERS

GV CIRCUIT BREAKERS (380V/400V-3 PHASES)

TYPE	SETTING RANGE (A)	ORDERING NUMBER
GV1 ME06	1-1.6	BKR0040E
GV2 ME05	0.63-1.0	BKR0082E
GV2 ME07	1.6-2.5	BKR0105E
GV2 ME08	2.5-4	BKR0103E
GV2 ME10	4-6.3	BKR0104E
GV2 ME14	6-10	BKR0106E
GV2 ME16	9-14	BKR0126E
GV2 ME20	13-18	BKR0128E
GV2 ME21	17-23	BKR0129E
GV2 ME32	24-32	BKR0127E
GV2 PM32	24-32	BKR0150E
GV3 ME80	56-80	BKR0142E
GV3 P50	37-50	BKR0141E
GV3 P65	48-65	BKR0140E



CIRCUIT BREAKERS

MS (380V/400V-3 PHASES)

TYPE	SETTING RANGE (AMP)	ORDERING NUMBER
MS 225 2.5A	1.6-2.5	BKR0076E
MS 225 4A	2.5-4.0	BKR0077E
MS 225 6.3A	4.0-6.3	BKR0078E
MS 225 12.5A	9.0-12.5	BKR0062E
MS 225 16A	12.5-16.0	BKR0063E
MS 225 20A	16.0-20.0	BKR0064E
MS 225 25A	20.0-25.0	BKR0065E
MS 325 1A	0.63-1.0	BKR0088E
MS 325 1.6A	1.0-1.6	BKR0089E
MS 325 2.5A	1.6-2.5	BKR0090E
MS 325 4A	2.4-4.0	BKR0091E
MS 325 6.3A	4.0-6.3	BKR0092E
MS 325 9A	6.3-9.0	BKR0093E
MS 325 12.5	9.0-12.5	BKR0094E
MS 325 16A	12.5-16A	BKR0095E
MS 325 20A	16.0-20.0	BKR0096E
MS 325 25A	20.0-25.0	BKR0097E



CIRCUIT BREAKERS

C60-2 PHASES

TYPE	RATING (A)	CURVE (1)	ORDERING NUMBER
C60H	4	C	BKR0146E
C60H	6	C	BKR0143E
C60H	10	C	BKR0144E
C60N	16	C	BKR0084E
C60N	4	D	BKR0108E
C60N	3	D	BKR0109E
C60N	6	C	BKR0111E
C60N	2	D	BKR0112E
C60N	10	D	BKR0118E
C60N	6	D	BKR0120E
C60N	4	C	BKR0121E
C60N	10	C	BKR0134E

(1) C curve: cables feeding conventional loads.

D curve: loads with a high inrush current (motors, transformers).

S252-2 PHASES

TYPE	RATING (A)	CURVE (1)	ORDERING NUMBER
S252	6	C	BKR0023E
S252	10	C	BKR0025E
S252	16	C	BKR0056E
S252	25	C	BKR0057E
S252	2	D	BKR0046E
S252	3	D	BKR0029E
S252	4	D	BKR0101E
S252	6	D	BKR0059E
S252	10	D	BKR0060E
S252	16	D	BKR0027E
S252	20	D	BKR0072E

(1) C curve: cables feeding conventional loads.

D curve: loads with a high inrush current (motors, transformers).

OVERLOAD RELAYS

LR

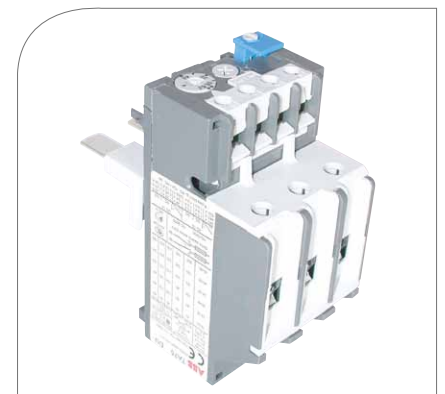
TYPE	USED ON	SETTING RANGE (A)	ORDERING NUMBER
LR2 D1307	LC1 D09	1.6-2.5	RLY0184E
LR2 D1308	LC1 D09	2.5-4.0	RLY0107E
LR2 D1310	LC1 D09	4.0-6.0	RLY0110E
LR2 D1312	LC1 D09	5.5-8.0	RLY0106E
LR2 D1314	LC1 D12	7.0-10.0	RLY0108E
LR2 D1316	LC1 D12	9.0-13.0	RLY0114E
LR2 D1321	LC1 D18	12.0-18.0	RLY0112E
LR2 D1322	LC1 D25	17.0-25.0	RLY0102E
LR2 D2353	LC1 D32	23.0-32.0	RLY0109E
LR2 D3355	LC1 D40	30.0-40.0	RLY0105E
LR2 D3361	LC1 D80	55.0-70.0	RLY0113E
LR2 D3363	LC1 D80	63.0-80.0	RLY0142E
LR2 D3365	LC1 D95	80.0-93.0	RLY0226E
LR9 F5367	LC1 F115	60.0-100.0	RLY0156E
LRD 350	LC1D40A...D65A	37.0-50.0	RLY0351E
LRD 365	LC1D50A...D65A	48.0-65.0	RLY0352E



OVERLOAD RELAYS

TA

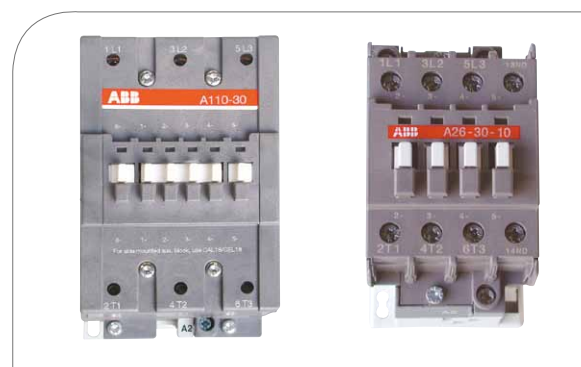
TYPE	CONTACTOR SIZE	RANGE OF CONTROL	ORDERING NUMBER
TA 25 DU 2.4	A9-A40	1.6-2.4	RLY0336E
TA25 DU 3.1	A9-A40	2.2-3.1	RLY0337E
TA 25 DU 4	A9-A40	2.8-4.0	RLY0338E
TA 25 DU 5	A9-A40	3.5-5.0	RLY0292E
TA 25 DU 6.5	A9-A40	4.0-6.5	RLY0212E
TA 25 DU 8.5	A9-A40	6.0-8.5	RLY0293E
TA 25 DU 11	A9-A40	7.5-11.0	RLY0294E
TA 25 DU 14	A9-A40	10.0-14.0	RLY0295E
TA 25 DU 19	A9-A40	13.0-19.0	RLY0296E
TA 25 DU 25	A9-A40	18.0-25.0	RLY0297E
TA 25 DU 32	A9-A40	25.0-32.0	RLY0298E
TA 75 DU 32	A50-A75	25.0-32.0	RLY0299E
TA 75 DU 42	A50-A75	29.0-42.0	RLY0300E
TA 75 DU 52	A50-A75	36.0-52.0	RLY0301E
TA 75 DU 63	A50-A75	45.0-63.0	RLY0302E
TA 75 DU 80	A50-A75	60.0-80.0	RLY0303E
TA 80 DU 80	A95-A110	60.0-80.0	RLY0304E
TA 110 DU 90	A95-A110	65.0-110.0	RLY0306E
TA 110 DU 110	A95-A110	80.0-110.0	RLY0307E
T 135 DU 135	A110-EH145	100.0-135.0	RLY0237E
T 200 DU 135	A110-EH145	100.0-135.0	RLY0238E
T 200 DU 150	A110-EH145	110.0-150.0	RLY0239E



CONTACTORS

A/AF/B

MODEL NUMBER	AMPS (A)	TYPE OF CONTACT (1)	COIL POWER SUPPLY (V)	PACKAGING (PCS)	ORDERING NUMBER
A 9 30 01	9	1O	230	1	CTR0271E
A 9 30 01	9	1O	110	1	CTR0259E
A 9 30 10	9	1F	230	1	CTR0266E
A 9 30 10	9	1F	110	1	CTR0255E
A 9 30 10	9	1F	24	10	CTR0141E
A 12 30 01	12	1O	230	1	CTR0278E
A 12 30 10	12	1F	230	1	CTR0267E
A 12 30 10	12	1F	110	1	CTR0256E
A 12 30 10	12	1F	24	1	CTR0140E
A 16 30 10	16	1F	230	10	CTR0268E
A 16 30 10	16	1F	24	1	CTR0139E
A 16 30 01	17	1O	230 (50-60 Hz)	1	CTR0279E
A 16 30 10	17	1F	110 (50-60 Hz)	1	CTR0213E
A 26 30 10	26	1F	230	5	CTR0269E
A 26 30 10	26	1F	110	1	CTR0257E
A 26 30 10	26	1F	24	1	CTR0185E
A 30 30 00	30	1F	110	1	CTR0258E
A 30 30 10	30	1F	24	1	CTR0209E
A 30 30 10	32	1F	230	1	CTR0270E
A 40 30 10	37	1F	230	1	CTR0275E
A 40 30 10	37	1F	110	1	CTR0263E
A 50 30 00	50	-	230	1	CTR0272E
A 50 30 00	50	-	110	1	CTR0260E
A 50 30 00	50	-	24	1	CTR0210E
A 63 30 00	65	-	230	1	CTR0273E
A 63 30 00	63	-	110	1	CTR0261E
A 75 30 00	75	-	230	1	CTR0274E
A 75 30 00	75	-	110	1	CTR0262E
A 95 30 00	95	-	230	1	CTR0276E
A 95 30 11	95	-	110	1	CTR0251E
A 110 30 00	110	-	230	1	CTR0277E
A 110 30 11	110	-	110	1	CTR0252E
A 145 30 11	145	1F/1O	230	1	CTR0329E
A 145 30 11	145	1F/1O	110	1	CTR0336E
A 185 30 11	185	1F/1O	230	1	CTR0333E
A 185 30 11	185	1F/1O	110	1	CTR0337E
A 210 30 11	210	1F/1O	230	1	CTR0334E
A 210 30 11	210	1F/1O	110	1	CTR0338E
A 300 30 11	300	1F/1O	230	1	CTR0335E
A 300 30 11	300	1F/1O	110	1	CTR0339E
AF 400 30 11	400	1F/1O	110/230	1	CTR0330E
AF 580 30 11	580	1F/1O	110/230	1	CTR0340E
AF 750 30 11	700	1F/1O	110/230	1	CTR0331E
B 6 30 01	9	1O	230 (50-60 Hz)	1	CTR0250E
B 6 30 10	9	1F	24 (50-60 hz)	1	CTR0184E
B 6 30 10	9	1F	230 (50-60 hz)	1	CTR0206E
B 6 30 10	9	1F	24	1	CTR0207E
B 7 30 10	12	1F	24 (50-60 Hz)	1	CTR0247E



CONTACTORS

LC1/LP1

MODEL NUMBER	COIL POWER SUPPLY (V)	AMPS (A)	FREQUENCY (HZ)	TYPE OF CONTACT (1)	ORDERING NUMBER
LC1 D0910 B7	24	9	50/60	1F/1O	CTR0088E
LC1 D1210 B7	24	12	50-60	1F/1O	CTR0085E
LC1 D1810 B7	24	18	50-60	1F/1O	CTR0086E
LC1 D2510 B7	24	25	50-60	1F/1O	CTR0087E
LC1 D32 B7	24	32	50-60	1F/1O	CTR0328E
LC1 D09P7	220	9	50	1F/1O	CTR0166E
LC1D25P7	220	25	50	1F/1O	CTR0058E
LC1 D80P7	220	80	50	1F/1O	CTR0083E
LC1 D0910 F7	110	9	50-60	1F/1O	CTR0283E
LC1 D1210 F7	110	12	50-60	1F/1O	CTR0284E
LC1 D1801 F7	110	18	50-60	1F/1O	CTR0285E
LC1 D2510 F7	110	25	50-60	1F/1O	CTR0286E
LC1 D3210 F7	110	32	50-60	1F/1O	CTR0287E
LC1 D8011 F7	110	80	50-60	1F/1O	CTR0291E
LC1 D9511 F7	110	95	50-60	1F/1O	CTR0292E
LC1 D115 F7	110	115	50-60	-	CTR0343E
LC1 D150 F7	110	150	50-60	-	CTR0344E
LC1 K0910 B7	24	9	50	1O	CTR0348E
LC1 K1210 B7	24	12	50	1O	CTR0349E
LC1 D1210 M7	220	12	50-60	1F/1O	CTR0061E
LC1 D1810 M7	220	18	50-60	1F/1O	CTR0062E
LC1 D 3210 M7	220	32	50-60	1F/1O	CTR0171E
LC1 D9511 M7	220	95	50-60	1F/1O	CTR0186E
LC1 D38 P7	230	38	50-60	-	CTR0320E
LC1 K0601 P7	230	6	50-60	1O	CTR0318E
LC1 K09107 P7	110	9	50-60	1F	CTR0326E
LC1 K1210 P7	230	12	50-60	1F	CTR0341E
LC1 F115	Without (2)	115	50	-	CTR0113E
LC1 F150	Without (2)	150	-	-	CTR0188E
LC1 F185	110	185	40-400	-	CTR0295E
LC1 F225	110	225	40-400	-	CTR0296E
LC1 F265	110	265	40-400	-	CTR0297E
LC1 F330	110	330	40-400	-	CTR0298E
LC1 F400	Without (2)	400	-	-	CTR0162E
LC1 F500	Without (2)	500	-	-	CTR0221E
LC1 F630	Without (2)	630	-	-	CTR0222E
LC1 K0610 B7	24	6	50-60	1F	CTR0322E
LP1 K0610 BD	24	6	-	1F	CTR0323E
LP1 K0910 BD	24	9	-	1O	CTR0327E
LC1 D40AB7	24	40	50-60	1F/1O	CTR0360E
LC1 D50AB7	24	50	50-60	1F/1O	CTR0361E
LC1 D65AB7	24	65	50-60	1F/1O	CTR0362E
LC1 D40AF7	110	40	50-60	1F/1O	CTR0356E
LC1 D50AF7	110	50	50-60	1F/1O	CTR0354E
LC1 D65AF7	110	65	50-60	1F/1O	CTR0355E
LC1 D40AP7	220	40	50-60	1F/1O	CTR0357E
LC1 D50AP7	220	50	50-60	1F/1O	CTR0358E
LC1 D65AP7	220	65	50-60	1F/1O	CTR0359E
LC1 D40AB7	24	40	50-60	1F/1O	CTR0360E
LC1 D50AB7	24	50	50-60	1F/1O	CTR0361E
LC1 D65AB7	24	65	50-60	1F/1O	CTR0362E
LC1 D40AF7	110	40	50-60	1F/1O	CTR0356E
LC1 D50AF7	110	50	50-60	1F/1O	CTR0354E
LC1 D65AF7	110	65	50-60	1F/1O	CTR0355E
LC1 D40AP7	220	40	50-60	1F/1O	CTR0357E
LC1 D50AP7	220	50	50-60	1F/1O	CTR0358E
LC1 D65AP7	220	65	50-60	1F/1O	CTR0359E

(1) 1F = Normally opened 1O = Normally closed.



CONTACTORS

LC1 MICRO-CONTACTORS 3 PHASES

MODEL NUMBER	AMPS (A)	TYPE OF CONTACT (1)	COIL POWER SUPPLY (V)	ORDERING NUMBER
LC1 K0601 F7	6	1O	110	CTR0254E
LC1 K0610 F7	6	1F	110	CTR0253E
LC1 K0901 F7	9	1O	110	CTR0243E
LC1 K0910 F7	9	1F	110	CTR0242E
LC1 K0901 M7	9	1O	230	CTR0244E
LC1 K0910 M7	9	1F	230	CTR0241E



COILS FOR LC1 CONTACTORS

MODEL NUMBER	USED ON	COIL POWER SUPPLY (V)	ORDERING NUMBER
LX1 FF110	LC1 F115/150	110	COL0165E
LX1 FF220	LC1 F115/150	230	COL0079E
LX1 FG110	LC1 F185/225	110	COL0166E
LX1 FG220	LC1 F185/225	230	COL0080E
LX1 FH110	LC1 F265/330	110	COL0168E
LX1 FH220	LC1 F265/330	230	COL0094E
LX1 FJ110	LC1 F400	110	COL0183E
LX1 FJ220	LC1 F400	230	COL0092E
LX1 FK110	LC1 F500	110	COL0184E
LX1 FK220	LC1 F500	230	COL0091E
LX1 FL110	LC1 F630	110	COL0185E
LX1 FL220	LC1 F630	230	COL0181E



AUXILIARY CONTACTS

LA/LU/CA/GV/HK

TYPE	USED ON	TYPE OF CONTACTS	ORDERING NUMBER
LA1 DN01	-	1F	CTC0058E
LA1 DN04	LC1 D 9-80AMP	40	CTC0029E
LA1 DN10	-	10	CTC0059E
LA1 DN11	LC1 9-80AMP	1F/10	CTC0011E
LA1 DN22	LC1 D 9-80AMP	2F/20	CTC0014E
LA1 DN31	LC1 D 9-80AMP	3F/10	CTC0042E
LA1 F131	LC1 F 115-500AMP	1F/30	CTC0023E
LA1 F311	LC1 F 115-500AMP	3F/10	CTC0022E
LA8 DN11	-	1F/10	CTC0060E
LA DN20	-	2F	CTC0066E
CA2 KN22M7	-	20/2F	CTR0315E
CA2 KN	-	20/2F	CTR0316E
CA 5-01	A9-A111	10	CTC0052E
CA 5-10	A9-A110	1F	CTC0051E
CAL 5-11	A9-A110	1F/10	CTC0050E
CAL 18 11	A-AF	1F/10	CTR0332E
GVAD 0110	-	-	CTC0075E
GV2-AE11	-	1F/10	CTC0047E
GV1 A01	GV1 M01 A 22	1F/10	CTC0035E
GV3 A01	-	1F/10	CTC0073E
S250 S2H20	-	2F	CTC0036E
N31E	-	30/1F	CTR0312E
HK20	-	20	CTC0048E
HK4 11	-	-	CTC0055E
HKF11	-	-	CTC0056E
LUA1C11	-	1F/10	CTC0074E
GVAE 11	-	1F	CTC0065E

ELECTRICAL PANEL ACCESSORY

TYPE	PART DESCRIPTION	ORDERING NUMBER
Square key	8 mm-Black epoxy	KEY0031E



SYSTEM CONTROL MAINS COMPONENTS

Chiller control boards and peripherals generally require programming prior to unit start up.

Contact your local Trane representative to obtain information.

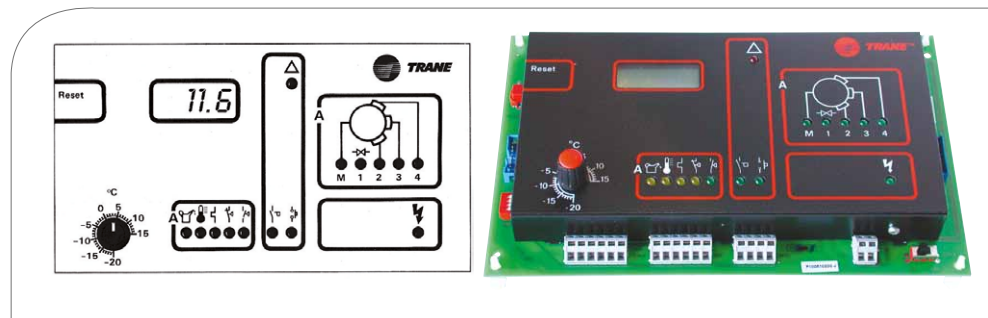
ORDERING NUMBER		CGCL	ECGAM ECXAM	ECGWH	ECGWN	ECXAH ECGAL	ECXAN ECGAN
ADP0063E	ADAPTER SENSOR DIA 6 TO 6.35MM			1		1	1
BRD02102	POWER SUPPLY CARD CH530	1	1		1		
BRD02944	DUAL BOARD RELAY OUTPUT CH530	1	1		1		
BRD02946	DUAL BOARD HIGH VOLTAGE BINARY INPUT	1	1		1		
BRD02947	DUAL BOARD TRIAC OUTPUT						
BRD02948	CARD 4 RELAY OUTPUT-CH530	1	1		1		
BRD03542	BOARD STARTER		1				
BRD04279	DUAL BOARD BINARY INPUT	1	1		1		
CAB01149	LLID CABLE CONNECTOR M/F	1					
CAB01155	LLID CABLE MODULE OUTPUT CONNECTOR FEMALE	1			1		
CNT0132E	FLOW SWITCH 20.0 BAR						
CNT0135E	WATER DIF PRESSURE 0.13/0.1B			1		1	
CNT0241E	FLOW SWITCH WATER REGULATE				1		1
CNT0242E	FLOW SWITCH WATER REGULATE						1
CNT0294E	PRESSURE SWITCH HP 25/29.5 BAR	1					
CNT0305E	FLOW SWITCH-10 BARS	1					
CON00204	TEMP. SENSOR CONNECTOR			1		1	
DOR02240	DOOR DYNA-VIEW		1		1		
KIT12559	KIT WIRE HARNESS ADAPTER	1			1		
MOD0054E	CONTROL MODULE-PECM MAIN CARD			1		1	
MOD0055E	CONTROL MODULE-PECM AUXILIARY CARD			1		1	
MOD0117E	MODULE-E.X.V.-RTXA EXPANSION VALVE REGULATION						
MOD0118E	CONTROL MODULE HP3						
MOD01423	MODULE E.X.V						
MOD01424	MODULE-CPM						
MOD01425	MODULE 70-125 TON MCSP						
MOD0184E	MODULE PCO3 WIDE						1
MOD0185E	MODULE PCO3 MEDIUM						1
MOD0188E	MODULE E.X.V. RTA*						
MOD00942	MODULE LOCAL HUMAN INTERFACE CLD						
MOD01423	MODULE E.X.V						
MOD01424	MODULE-CPM						
MOD01425	MODULE 70-125 TON MCSP						
MOD02092	MODULE DYNVIEW	1	1		1		
SEN0011E	SENSOR TEMP -40/+90°C						1
SEN0086E	SENSOR TEMP -50/+100°C			1		1	
SEN00113	SENSOR HEAT -09.4/+65.5°						
SEN00132	HEAT SENSOR +32.2/121°						
SEN00202	SENSOR HEAT -23.3/+65.5°C						
SEN00204	SENSOR HEAT +32.2/121.0°						
SEN00205	HEAT SENSOR -9.4/+60.0°C						
SEN00216	SENSOR 10°C-29.44°C						
SEN00296	HEAT SENSOR -23.3/+65.5°C						
SEN00306	SENSOR HEAT-9.4/+60.0°C						
SEN0037E	SENSOR TEMP PECM MODULE			1		1	
SEN00951	HEAT SENSOR -40.0/+70.0°						
SEN0103E	SENSOR TEMP -50/+100°C						1
SEN01959	SENSOR TEMP CH530-40 TO 120°C	1	1		1		
SEN01960	HIGH TEMPSSENSOR CH530		1				
SWT03334	FLOW SWITCH 15 CM/S		1				
TDR0009E	TRANSDUCER PRESSURE 0/40 BAR			1		1	
TDR0014E	TRANSDUCER 0-30 BAR REFRIGERANT						1
TDR0018E	TRANSDUCER 0-20 BARS						1
TDR0019E	TRANSDUCER 1-46 BARS						1
TDR00354	TRANSDUCER PRESSURE (PX) LLID 0-475 PSIA	1	1		1		

ECCAN LARGE	RTAA	RTAB	RTAC	RTAD	RTHD	RTUA	RTWA	RTWB	RTWD	RTXA
1			1		1				1	
1			1		1				1	
1			1		1				1	
			1		1				1	
1			1		1				1	
1			1		1				1	
1					1				1	
1			1		1				1	
	1	1	1	1	1	1	1	1	1	1
1										
1										
	1	1		1		1	1	1		1
1			1		1				1	
1			1		1				1	
										1
				1			1			
	1									
	1									
	1									
	1									
								1		
	1	1		1		1	1	1		1
		1					1			
		1					1			
		1					1			
						1				
						1				
	1	1		1		1	1	1		1
	1	1		1		1	1	1		1
	1	1		1		1	1	1		1
	1	1		1		1	1	1		1
1			1		1				1	
1			1		1				1	

TRANE CONTROLS

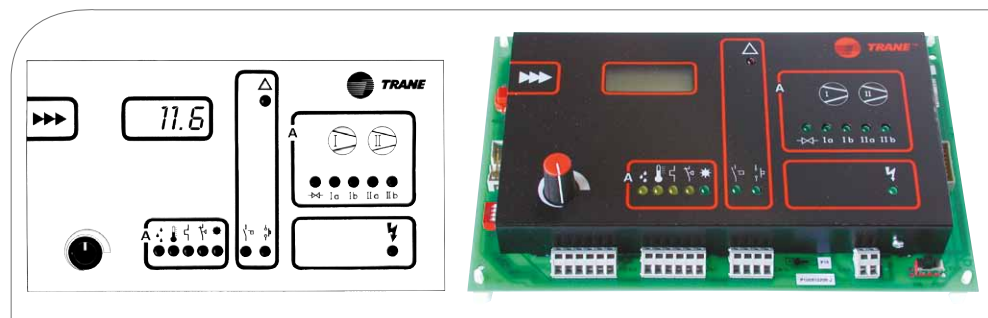
RECIPROCATING UNIT MODULES

MODEL NUMBER	PART DESCRIPTION	ORDERING NUMBER
X13740078001	Main card	RCM0001E
X13740081001	Relay card (5 relays)	RCM0002E
X13710079001	Auxilliary card (B circuit)	RCM0003E
X13740080001	Fan card	RCM0004E
X13740081001	Relay card	RCM0002E
X13740113001	TRM card (chilled water reset)	MOD0001E
X13740096001	VGM card (supply module 0/10V)	RCM0006E
X13560351001	Voltage transformer 35VA primary 220-240V-Secondary 12V-50-60HZ-Single phase	TRR0080E
X13540555001	Air ambient sensor-length 2.5m	SEN0004E
X13540555002	Chilled water sensor-length 6.5m	SEN0006E
X13540555003	Chilled water sensor-length 15m	SEN0010E
X13540575001	Sensor for TRM Module	SEN0012E
FN660 3/06 HPF	Electronic filter	ELF0001E



HEAT PUMP RECIPROCATING UNIT MODULES

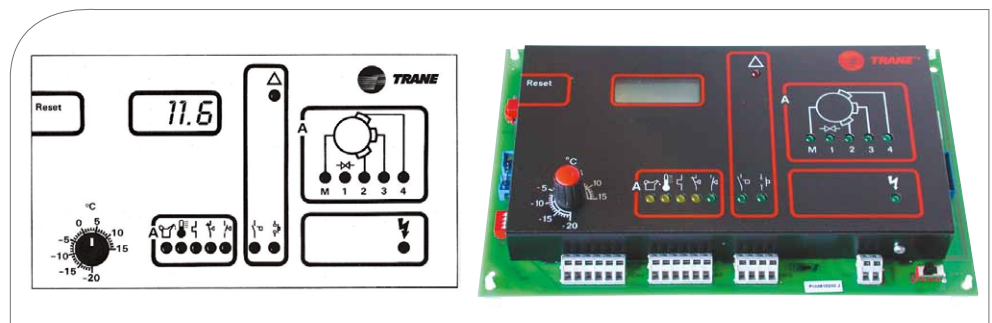
MODEL NUMBER	PART DESCRIPTION	ORDERING NUMBER
X13740094001	Main card	XCM0001E
X13710095001	Auxilliary card (B circuit)	XCM0002E
X13540555001	Air ambient sensor length 2.5m	SEN0004E
X13540555002	Chilled water sensor length 6.5m	SEN0006E
X13540555003	Chilled water sensor length 15m	SEN0010E



TRANE CONTROLS

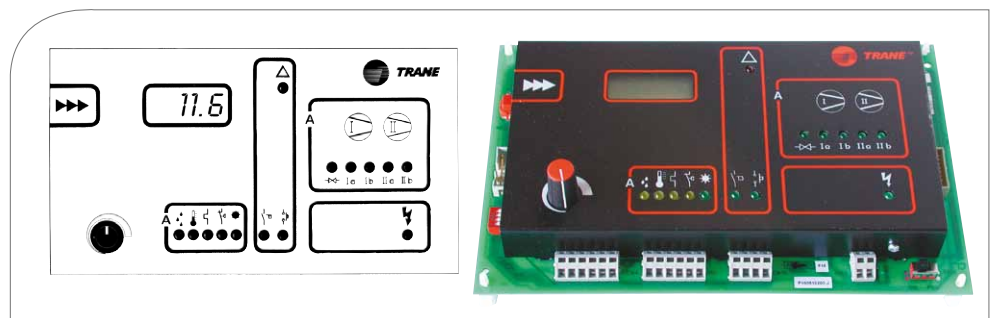
SCROLL UNIT MODULES (FIRST DESIGN)

MODEL NUMBER	PART DESCRIPTION	ORDERING NUMBER
X13740084001	Main card	SCM0001E
X13710085001	Auxilliary card (B circuit)	SCM0002E
X13540555001	Air ambient sensor length 2.5m	SEN0004E
X13540555002	Chilled water sensor length 6.5m	SEN0006E
X13540555003	Chilled water sensor length 15m	SEN0010E



SCROLL UNIT MODULES (SECOND DESIGN)

MODEL NUMBER	PART DESCRIPTION	ORDERING NUMBER
X13740162001	Main card	MOD0054E
X13740163001	Auxilliary card (B circuit)	MOD0055E
X13540857001	Chilled water sensor length 5.00m	SEN0037E
X13540573005	Temperature sensor length 6.00m	SEN0103E
X13740184001	Pressure transducer 0/40 bars-1/4 SAE cable 5m	TDR0009E
X13740190002	Pressure transducer 0/30 bars-1/4SAE	TDR0014E
BCF-T-001	Sensor fitting	ADP0063E



TRANE CONTROLS

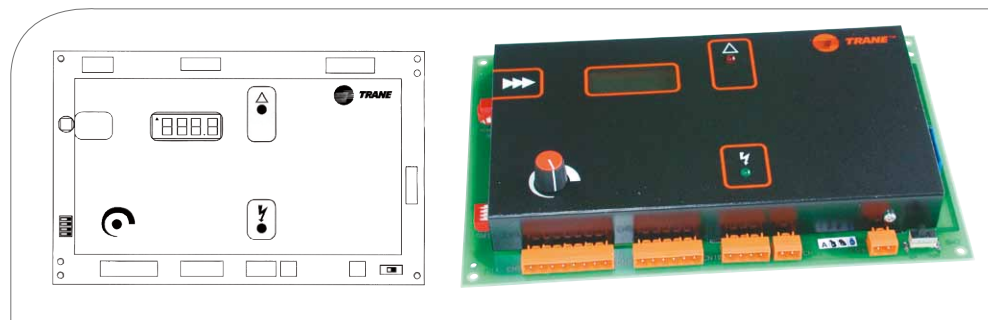
CLOSE CONTROL UNIT MODULES

MODEL NUMBER	PART DESCRIPTION	ORDERING NUMBER
MP2	Air temperature control module	MDA0017E
MP20	Local display module	MOD0105E
MP20	Main module	BRD0071E
MP20	Local alarm module	BRD0072E
HP3	Humidity sensor	SEN0082E
MP1/MP2	Temperature+Humidity sensor	SEN0081E
MP3	Temperature sensor	SEN0077E



MICROCHILLER MODULES (FIRST DESIGN)

MODEL NUMBER	PART DESCRIPTION	ORDERING NUMBER
X13740120001	Main module	MOD0013E



TRANE CONTROLS

MICROCHILLER MODULES (SECOND DESIGN)

MODEL NUMBER	PART DESCRIPTION	ORDERING NUMBER
-	Kit replacement microchiller card for μC^2 module	KIT1349E
-	Kit module 2nd compressor μC^2 with cable	KIT1358E
X13690169001	ON/OFF Fan module	CNT0165E
037-061-9-P	Control module unit μC^2 - Mini chiller Cairo unit	MOD0169E
037-062-9-P	Control module unit μC^2 -2sd compressor-Mini chiller Cairo unit	MOD0170E
037-108-9-P	μC^2 module-additional card remote display-Mini chiller Cairo unit	MOD0171E
X13540573002	Temperature sensor -50°/+100°C-Dia 6mm-LG 53.0-Fil lg 1.5M-IP68	SEN0051E
43733357001	KIT REMOTE CONTROL MODULE FOR MICRO-CHILLER 2 (CGA-VGA/CXA-VXA)	KIT1266E

4

SCROLL UNIT MODULES (AQUASTREAM2)

MODEL NUMBER	PART DESCRIPTION	ORDERING NUMBER
*27201135042	Control module PC03 medium-Configured-version hard CEM	MOD0185E
*27201135041	Control module PC03 large-Configured-version hard CEM	MOD0184E
X13740213001	Communication card «LON» 2.0 version-PC03	BRD0117E
X27201278011	Configuration key-PC03-PC0S00AKY0-Version : hard 1.8-BIOS 9.5	TOL0156E
X13540573001	Air ambient sensor for simplex and duplex unit	SEN0011E
X13540573001	Entering and leaving evaporator water sensor for simplex unit	SEN0011E
X13540573003	Entering and leaving evaporator water sensor for duplex unit	SEN0086E
X13540573004	Temperature sensor -50/+100°C-Dia 6mm-length 100-Wire length 3M	SEN0102E
X13540573005	Temperature sensor -50/+100°C-Dia 6mm-length 100-Wire length 6M	SEN0103E
X13740190001	Pressure transducer 0-30bars	TDR0014E
X17010301001	Adapter for stainless sensor mounting SEN0086E Dia 6.35mm	ADP0063E



TRANE CONTROLS

KIT GLOBAL CONNECTOR

PART DESCRIPTION	UNIT TYPE	ORDERING NUMBER
KIT RETROFIT GLOBAL CABLE	RTHC-RTHD with pluggable cable	KIT1226E
KIT RETROFIT GLOBAL CABLE	RTAC 120-200	KIT1228E
KIT RETROFIT GLOBAL CABLE	RTAC 250/300 -50HZ- RTAC 275/350 -60HZ	KIT1229E
KIT RETROFIT GLOBAL CABLE	RTAC 350/400 -50HZ-RTAC 400/500 -60HZ	KIT1230E
KIT WIRE HARNESS ADAPTER FEMALE GLOBAL CONNECTOR TO 4 WIRE RIBBON CABLE	-	KIT12559
KIT GLOBAL CONNECTOR WIRE HARNESS, WITH MALE CONNECTOR	-	KIT13723

SCREW UNITS MODULES

MODEL NUMBER	DESCRIPTION	ORDERING NUMBER
X13650781002	Module local human interface LCD	MOD00942
X13651007001	Module interface TCI 4-IPCB-COMM4	MOD01394
X13650364040	Module CSR-External communication link and chiller water reset	MOD01422
X13650475008	Module EXV-Electronic expansion valve regulation-Old generation	MOD01423
X13651077001	Module LCI-C-COMM5-LON	MOD01540
X13650477130	Module MSCP-Compressor regulation	MOD01425
X13650476100	Module CPM-Unit regulation	MOD01424
X13650804060	MODULE E.X.V. RTA* GESTION 2 ELECTRONIC EXPANSION VALVE	MOD0188E

SCREW UNITS- CH 530 CONTROL MODULE

MODEL NUMBER	PART DESCRIPTION	ORDERING NUMBER
X13650827-007	Dynaview module with display cover door	MOD02092
X19140385001	Sensor connector	CON01166
-	Temperature sensor overmolded programming required	SEN02133
-	Kit-wire harness adapter female global connector to 4 wire ribbon cable	KIT12559
X50710670-010	Cabinet dynaview enclosure	CBT01625



TRANE CONTROLS

SCREW CHILLERS SENSORS

MODEL NUMBER	FUNCTION	UNITS	ORDERING NUMBER
X13790057050	Sensor refrigerant, condensor	RTAA-RTAB-RTWA-RTXA	SEN00202
X13790057080	Sensors water, evaporator inlet and outlet (set of 2)	RTAA-RTAB-RTWA-RTXA	SEN00306
X13790076030	Sensors refrigerant, evaporator inlet and outlet (set of 2)	RTAA-RTAB-RTWA-RTXA	SEN00951
X13790057070	Sensor, oil	RTAA-RTAB-RTWA-RTXA	SEN00204
X13790002020	Sensor, ambient air	RTAA-RTAB-RTWA-RTXA	SEN00113
X17010038090	Plug, D 6.35	RTAA-RTAB-RTWA-RTXA	CON00204
X13790057070	Sensor, discharge	RTHA	SEN00204
X13790002030	Sensor, evaporator outlet OR antifreeze	RTHA	SEN00096
X13790159020	Sensor, antifreeze, ambient air	RTHB	SEN00406
X13790159030	Sensor refrigerant, condensor	RTHB	SEN00405
X13790159040	Sensors water, condensor and evaporator inlet and outlet (set of 2)	RTHB	SEN00404
X13540577001	Sensors water optional, evaporator inlet and outlet	RTHA	SEN0015E
X13790002060	Sensors water, evaporator inlet and outlet	RTHA	SEN00118



CASSETTE-CWE

DESCRIPTION	ORDERING NUMBER
Main electronic board	BRD0130E
Inverter board- CWE 01	BRD0131E
Inverter board-CWE 02	BRD0132E
Inverter board-CWE 03	BRD0133E
Inverter board-CWE 04	BRD0134E
Inverter board-CWE 05	BRD0135E
Infrared electronic board	BRD0136E
Electronic board electric heater-2° version	BRD0137E
Infrared remote control of receiver	CNT0336E
KIT ZN 523-VALVE 3 WAY 2 PIPE-MOTOR THERMIC-CASSETTE SIZE 01-02-03	KIT1282E



CONTROL RETROFIT KIT

PART DESCRIPTION	ORDERING NUMBER
RETROFIT KIT ZN 523 VERSION 2 IN VERSION 3	KIT1360E

THERMOSTATS

A/C/RT/37T ELECTROMECHANICAL THERMOSTATS-CAPACITY CONTROL

TYPE	FUNCTION	NBR OF STEPS	SETTING RANGE (°C)	ORDERING NUMBER
A36 AHB 9109	Capacity control	4	-18/+20	THT0001E
A28 AA 9106	Capacity control	2	-5/+28	THT0008E
A19 AAC 9009	Capacity control	2	+40/+120	THT0034E
A19 ABC 9011	Capacity control	1	+38/+120	THT0018E
A19 ABC 9036	Capacity control	1	-15/+30	THT0017E
A19 ACC 9116	Capacity control	1	-35/+10	THT0060E
RT 14175103	Capacity control	1	-5/+30	THT0035E
C17.279.57	Capacity control	2	+15/+22	THT00225
37TG31501521	Capacity control	1	+26/+75	THT0079E



THERMOSTATS

ELECTRONIC THERMOSTATS-CAPACITY CONTROL

FUNCTION	TYPE	SENSOR	NBR OF STEPS	POWER SUPPLY	RESET	SETTING RANGE (°C)	ORDERING NUMBER
Capacity control	A27 A1 N12	SEN0015E	1	24V	-	+10/+100	THT0154E
Capacity control	A27 A1 N12	SEN0015E	2	24V	-	+10/+100	THT0163E
Capacity control	A27A2N22+S27A2	Included	4	230V	-	+10/+100	THT0059E
Additional step	S27 A3	-	1	230V	-	-20/+60	THT0095E
Sensor	A99BB300C (cable length 3m)	-	-	-	-	-50/+50	SEN0015E
Sensor	A99BB500C (cable length 4.50 m)	-	-	-	-	-50/+50	SEN0007E
Capacity control	A27 A2 N15	-	-	230V	-	-20/+60	THT0191E



LM/LO/RMT SAFETY THERMOSTATS

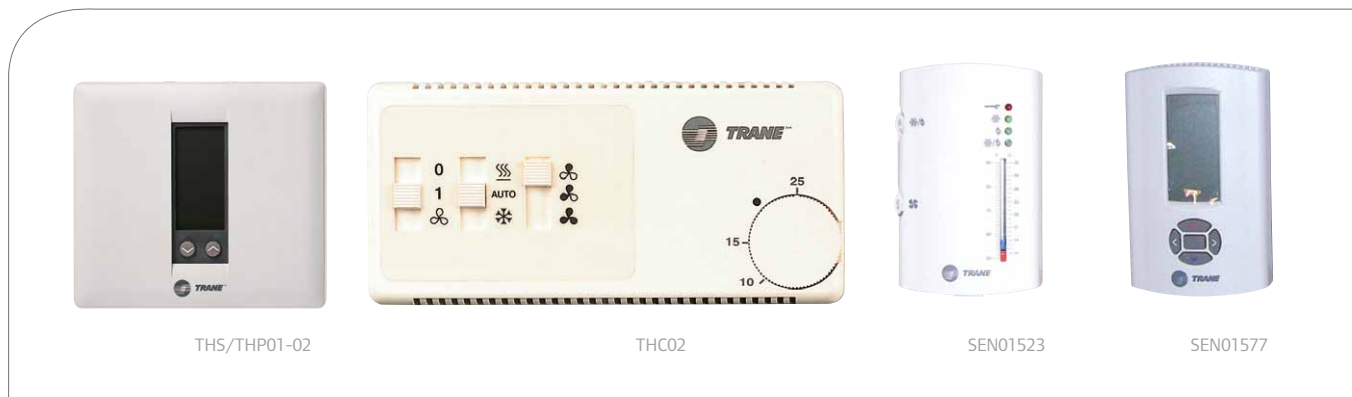
TYPE	RESET	SET POINT (°C)	ORDERING NUMBER
LM 5P 767 3000	Manual	120	THT0058E
LM 7P 656 0000	Manual	148	THT0158E
L0 5P 562 1000	Automatic	85	THT0086E
2455 RMT 146 B201A	Manual	145	THT0141E
2455 RMT 147 B201A	Automatic	100	THT0142E



THERMOSTATS

WALL MOUNTED ELECTRONIC THERMOSTATS

TYPE	FUNCTION	PROGRAMMABLE	STAGE	ORDERING NUMBER
THS01	Cooling	No	2C/2H	THT0143E
THS02	Cooling/Heating	No	2C/2H	THT0144E
Sensor	Cooling/Heating	No		SEN01523
THC02	Cooling/Heating	No	2C/1H	THT0152E
THP01	Cooling	Yes	2C/2H	THT0149E
THP02	Cooling/Heating	Yes	3C/2H	THT0150E
THP03/BAYSENS119AA	Cooling/Heating	Yes		SEN01577
THS/THP 01-02 remote sensor	-	-	-	BOX0012E
THC02 remote sensor	-	-	-	SEN0044E
TZS01-BAYSENS077AA	-	-	-	SEN01448
FB-T28	Temperature sensor	-	-	SEN0045E



WALL MOUNTED MECHANICAL THERMOSTATS

TYPE	CHANGE OVER	SETTING RANGE (°C)	STEP	ORDERING NUMBER
T6371B1041	Manual	+10/+30	1C/1H	THT0123E
T6375B1088	Manual	+10/+30	2C/2H	THT0124E
T6375C1086	Automatic	+10/+30	2C/2H	THT0126E
T6377B1094	Manual	+10/+30	2C/2H	THT0127E
Q637AITEM L	-	-	-	SWT0212E



UNIT MOUNTED FAN COIL THERMOSTAT

PART DESCRIPTION	ORDERING NUMBER
KIT 3 SPEED FAN SWITCH+1ST THERMOSTAT+SWITCH S/W-UNITRANE 2	KIT1103E

THERMOSTATS

WALL THERMOSTATS

TYPE	ORDERING NUMBER
Sensor zone set 3 speed fan	SEN01517
Sensor zone set to V 3 speed fan	SEN01518
Wall thermostat -ZN523-ZSM11-1-with LCD	THT0194E
Wall thermostat simple ZN523- Type ZSM10 without LCD	THT0192E
Wall thermostat Eberle-Type KLR-E 7203	THT0177E
RJ9/RJ9-12 meter cable	CAB00029
RJ9/RJ9-6 meter cable	CAB00028



ROOM THERMOSTATS

TYPE	ORDERING NUMBER
TZS01-BAYSENS077AA	SEN01448
TZS02-BAYSENS074AA	SEN01447
TZS04-BAYSENS075AA	SEN01449



THERMOSTATS

TRANE UNITS REMOTE CONTROL

UNITS	TYPE	CABLE LENGTH	ORDERING NUMBER
HWD	Infrared	-	CNT0117E
HWD	Wired	1m	CNT0116E
Cassette	Infrared	-	CNT0130E
Receiver	Infrared	-	CNT0271E
-	Infrared	-	CNT0272E
			CNT06619
Adhesif label-Cooling only	-	-	LBL0031E
Adhesif label-Reversing units	-	-	LBL0032E



SENSORS

HP TRANSDUCER PRESSURE

PRESSURE (BAR)	SERVICE PRESSURE (BAR)	TEMPERATURE (C°)	ORDERING NUMBER
1/34	55	0/80	TDR0015E
0/30	-	-25/+80	TDR0014E
0/20	38.5	-30/+100	TDR0018E
1/46	50	-30/+100	TDR0019E

Connector 1/4 NPT-4-20mA-Cable length 8m.

Interconnecting cable for pressure transducer-LG 5m-connector type "packard" 3 points for TDR0018E and TDR0019E: ordering number CAB0013E.



4

TEMPERATURE SENSORS

PART DESCRIPTION	ORDERING NUMBER
Immersion temperature sensor 4"-without well	SEN0060E
Immersion temperature sensor 6"-without well	SEN0061E
Immersion temperature sensor 6"-set of 2 matched sensors	SEN0059E
Strap on temperature sensor	SEN0058E
Air temperature sensor	SEN0057E
Duct temperature sensor	SEN0053E
Duct temperature sensor-type : VAV	SEN0062E
CO2 sensor-Duct mounting	SEN01092
CO2 sensor-Wall mounting	SEN01564
Room humidity sensor	SEN0055E
Duct humidity sensor	SEN0054E



ACCESSORIES

NONCONTACT THERMOMETER

PART DESCRIPTION	DESCRIPTION	ORDERING NUMBER
RAYMT4U	Tool Rayinger minitemp C/F-Degrees current temp.-2% Accuracy plus laser pointing	TOL01026



BAS

TRACER SUMMIT+BCU

MODEL NUMBER	PART DESCRIPTION	ORDERING NUMBER
501007566200	Communication card-COMM2	BRD00935
501007376200	Board isolated-COMM3	BRD00933
501007576200	Board isolated-COMM4	BRD00936
309001466200	Board isolated-COMM5-BCU II	BRD01670
40201082001	Coaxial card PC or BCU	MOD0074E
415050776200	Coaxial card HUB connexion	BRD01114
40201111-V17	TS Workstation software V17	LOG0009E
309001486200	Board BMTW BCU I/O	BRD01672
309002156200	Cable RJ45 used with I/O module on BMTW BCU	CAB00900
309001806200	Board summit expanded SIM memory	BRD01713
309004926200	Transformer for water loop controller 120/240, 24VAC, 76VA	TRR01279
309004286200	Main board BCU EC BOARD	BRD02889



TRACKER

MODEL NUMBER	PART DESCRIPTION	ORDERING NUMBER
X13650960001	Module tracker 12W/LAN-BMTKKBABB0110 Rooftop	MOD0190E



BAS

MP581

MODEL NUMBER	PART DESCRIPTION	ORDERING NUMBER
309003196200	Panel carrier for MP581 main board	PNL14797
309006296200	Module stand alone operator display-MP581	MOD01898
309004926200	Transformer for water loop controller-120/240, 24VAC, 76VA	TRR01279
309006326200	Board assembly PCB EX2	BRD03827
309003206200	Module MP581 -Terminator W/LOWER carriage	MOD01254
X13690255040	Module Assembly W/CARRIER MP580/581 MAIN	MOD02051

UNIVERSAL PROGRAMMABLE CONTROLLER

MODEL NUMBER	PART DESCRIPTION	ORDERING NUMBER
40201053001	Kit local LCD indicator UCPM-Tracer application-Norme C.E.	KIT0524E
501008296200	Module remote LCD-UPCM	BRD01016
30900087062	Board-PCB EC UPCM BOP-W/OVERRIDE (FERRITES INCLUDED)	BRD01721
40201076001	Card UPCM-6 output combo-with override-Tracer application-Norme C.E.	BRD0043E
309002136200	Board-PCB US UPCM Universal	BRD02079
309004866200	Voltage transformer 110/220V-Primary-Secondary 75VA for binair output UPCM	TRR01026

PROGRAMMABLE CONTROLLER MODULE

PART DESCRIPTION	ORDERING NUMBER
Power supply 24VAC/24VDC 100MA	PWR00042
Retrofit Kit PCM Module	KIT1295E

THERMOSTAT UNIT CONTROL

PART DESCRIPTION	ORDERING NUMBER
Thermostat unit control installed on field	THT0166E

BAS

TRACER™ UC 400

FAN COIL /VAV

MODEL NUMBER	DESC	ORDERING NUMBER
X13651492-020	Tracer™ UC400 Programmable Controller BMUC400AAA0100011	MOD02071
X13651568-010	Tracer™ XM70 I/O expansion module (8UI, 6UI/AO, 4 relays, 1 press)	MOD01923
X13651563-010	Tracer™ XM32 I/O Expansion module (4 relays)	MOD02047
X13651537-010	Tracer™ XM30 I/O Expansion Module (includes replaceable components CON00429, COM00431, CAB01202)	MOD01840
X17521846-010	KIT BCI FIELD INSTALLATION KIT, INTELLIPAK 1 & 2	KIT15634
52021271-020	KIT BCI-C	KIT15548

TRACER™ UC 600

AHU/SMALL SEQUENCES

MODEL NUMBER	DESC	ORDERING NUMBER
X13651548-010	TRACER™ UC600 PROGRAMMABLE CONTROL BMUC600AAA0100011	MOD01919
X13651571-010	TRACER™ TD7 COLOR TOUCHSCREEN DISPLAY	MOD01924
X13651568-010	Tracer™ XM70 I/O expansion module (8UI, 6UI/AO, 4 relays, 1 press)	MOD01923
X13651563-010	Tracer™ XM32 I/O Expansion module (4 relays)	MOD02047
X13651537-010	Tracer™ XM30 I/O Expansion Module (includes replaceable components CON00429, COM00431, CAB01202)	MOD01840
X13651538-010	MODULE PM014 POWER SUPPLY DIN MODULE-24VAC TO 24VDC	MOD01702
X13651524-010	MODULE TRACER BACNET TERMINATION	MOD01786
X19070632-020	SEALED ETHERNET CABLE FOR TD7 (reqd for outdoor use)	CAB01206

TRACER™ UC 800

CENTRIFUGAL

MODEL NUMBER	DESC	ORDERING NUMBER
X13651144-010	TRACER™ UC800	MOD01628
X13650558-08	MODULE PCB	MOD01387
X13650780-06	MODULE LOCAL HUMAN INTERFACE v26.04	MOD01388
X13650787-06	MODULE REMOTE HUMAN INTERFACE v26.04 (if installed)	MOD01389
X13650432-02	MODULE VENTILATION OVERRIDE v02.01 (if installed)	MOD01373

TRACER™ SC

ROOFTOP/VAV

MODEL NUMBER	DESC	ORDERING NUMBER
30900584-062	Tracer™ SC System Controller BMSC000AAA011000	MOD01668
30900614-062	RESISTOR BACNET TERMINATION KIT, 0.5 WATT, CARBON 120, 5% RESISTORS	RES00967
30900615-062	RESISTOR LONTALK TERMINATION KIT	RES00968

BAS

GENERAL CONTROLLER MODULE

MODEL NUMBER	PART DESCRIPTION	ORDERING NUMBER
309005406200	Module-MP501 setpoint controller	MOD01257
309003116200	Module MP503 Input/Output Controller	MOD02093

ZONE CONTROLLER

MODEL NUMBER	PART DESCRIPTION	ORDERING NUMBER
309003256200	Zone controller-Tracer ZN511	MOD02085
X13651055050	Board control unprogrammed TRACER ZN520	BRD03359

TRANE COMMUNICATION INTERFACE

MODEL NUMBER	PART DESCRIPTION	ORDERING NUMBER
43902661051	TCI-b (Tracer Summit/Modbus)	MOD0099E
43902500051	TCI-c per UCP1	MOD0095E
43902500052	TCI-c per UCP2	MOD0096E
43902500053	TCI-c per UCM/CLD	MOD0097E
43902386052	TCI-m (Tracer 100i/Modbus)	MOD0100E
X13650464006	TCI3 (UCPII Tracer 100i/Summit/Tracker/GCI)	BRD02893
X13651009010	TCI4-Comm 3 (UCP2 Tracer 100i/GCI)	MOD01396
X13651007010	TCI4-Comm 4 (UCP2 Summit)	MOD01394
X13650364040	CSR (UCM-CLD Tracer 100i/Summit/GCI)	MOD01422
43902332051	TCI-e (RCM/SCM Tracer 100i)	MOD0102E
43902332052	TCI-u (UCP1 Tracer 100i)	MOD0103E

CAVI-HARDWARE

PART DESCRIPTION	ORDERING NUMBER
Interconnecting cable-3.5 m Manager/modem	CAB0007E
Cable CRT/Manager	CAB0008E

MUFFLERS

SRR MUFFLERS-BRAZED CONNECTION

MODEL NUMBER	APPROVAL	CONNECTION DIAMETERS	ORDERING NUMBER
SRR 41	PED	1"5/8	MFL0015E
SRR 54	PED	2"1/8	MFL0016E

SCY MUFFLERS-BRAZED CONNECTION

MODEL NUMBER	CONNECTION DIAMETERS	ORDERING NUMBER
SCY 50	5/8"	MFL0013E
SCY 90	1" 1/8	MFL0006E
SCY 110	1"3/8	MFL0007E
SCY 130	1"5/8	MFL0004E



SAFETY VALVES

3030/3060 SAFETY VALVES-10-32 BARS

SAFETY VALVE TYPE	MODEL NUMBER	PRESSURE	INLET CONNECTION DIAMETER	OUTLET CONNECTION DIAMETER	"KD" COEF.	ORDERING NUMBER
A	3030/44C170	17	1/2" NPTM	3/4" G	0.9	VAL0766E
A	3030/88C100	10	1" NPTM	1" 1/4 G	0.83	VAL0767E
A	3030/88C130	13	1" NPTM	1" 1/4" G	0.83	VAL0768E
A	3030/88C160	16	1" NPTM	1" 1/4" G	0.83	VAL0769E
A	3030/66C245	24.5	3/4" NPTM	3/4" G	0.9	VAL0776E
B	3060/45C160	16	1/2" NPTM	5/8" SAE	0.45	VAL0772E
B	3060/45C170	17	1/2" NPTM	5/8" SAE	0.45	VAL0773E
B	3060/45C250	25	1/2" NPTM	5/8" SAE	0.45	VAL0774E
B	3060/45C280	28	1/2" NPTM	5/8" SAE	0.45	VAL0775E
B	3060/45C300	30	1/2" NPTM	5/8" SAE	0.45	VAL0771E
B	3060/45C230	23	1/2" NPTM	5/8" SAE	0.45	VAL0777E
B	3060/45C310	31	1/2" NPTM	5/8" SAE	0.45	VAL0778E



SAFETY VALVES-16.5-21 BARS

MODEL NUMBER	SETTING (PSIG)	SETTING (BARS)	CONNECTION	ORDERING NUMBER
5242/235	235	16.5	3/4"	VAL0161E
63613/300	300	21	3/4"	VAL0016E
63618-1	300	21	1"	VAL0017E



PRESSURE CONTROLS

KP HIGH PRESSURE CONTROLS

MODEL NUMBER	RESET	SET POINT ADJUSTABLE (BARS)	DIFFERENTIAL (BARS)	MAXIMUM PRESSURE (BARS)	CONNECTION (INCHES)	ORDERING NUMBER
KP5 060512966	Manual	8/32	3	33	1/4"	CNT0009E
KP5 060509666	Automatic	8/32	1.8-6	33	1/4"	CNT0041E
KP7 060515066	Manual	8/32	4	33	1/4"	CNT0238E



5

ACB HIGH PRESSURE SWITCHES

TYPE	RESET	MODEL NUMBER	DIFFERENTIAL (BARS)	MAXIMUM PRESSURE (BARS)	REFRIGERANT	CONNECTION (INCHES)	ORDERING NUMBER
ACB-2UB71	Manual	061F9606	4.5	45.0	R22-R407C	1/4"	CNT0294E
ACB-2UB71	Manual	061F9607	4.5	45.0	R134a	1/4"	CNT0295E
ACB-2UC121	Manual	061F9259	23.0	45.0	R134a	1/4"	CNT0306E
ACB-2UC124	Manual	061F9262	15.0	45.0	R134a	1/4"	CNT0340E



PRESSURE CONTROLS

P-HIGH PRESSURE CONTROLS

MODEL NUMBER	RESET	SET POINT ADJUSTABLE (BARS)	DIFFERENTIAL (BARS)	MAXIMUM PRESSURE (BARS)	CONNECTION (INCHES)	ORDERING NUMBER
P 20 EA 9670XC	Automatic	7.0/29	4	37.5	1/4"	CNT0274E
P 100 CA 52 D	Automatic	23/28	-	42	1/4"	CNT0102E
P 100 AA 51 D	Automatic	14.5/22	-	42	1/4"	CNT0126E
P 100 CA 13 D	Automatic	20/26	-	42	1/4"	CNT0127E



PS3 HIGH PRESSURE CONTROLS

MODEL NUMBER	RESET	SET POINT FIXED (BARS)	DIFFERENTIAL (BARS)	MAXIMUM PRESSURE (BARS)	CONNECTION (INCHES)	ORDERING NUMBER
PS3-CF5- HNB	Manual	22.7	-	36	1/4"	CNT0146E
PS3-CF5-HNB	Manual	25.5	-	36	1/4"	CNT0147E
PS3-TF5-HNB	Manual	27.9	-	36	1/4"	CNT0148E



KP LOW PRESSURE CONTROLS

MODEL NUMBER	RESET	SET POINT ADJUSTABLE (BARS)	DIFFERENTIAL (BARS)	MAXIMUM PRESSURE (BARS)	CONNECTION (INCHES)	ORDERING NUMBER
KP1 060509466	Automatic	-0.2/7.5	0.7-4	20	1/4"	CNT0008E



PRESSURE CONTROLS

P100 LOW PRESSURE CONTROLS

MODEL NUMBER	RESET	SET POINT ADJUSTABLE (BARS)	MAXIMUM PRESSURE (BARS)	CONNECTION (INCHES)	ORDERING NUMBER
P100 AP 63D	Automatic	-0.5/1.5	42	1/4"	CNT0153E



FF LOW PRESSURE CONTROLS

MODEL NUMBER	RESET	SET POINT ADJUSTABLE (BARS)	DIFFERENTIAL (BARS)	MAXIMUM PRESSURE (BARS)	CONNECTION (INCHES)	ORDERING NUMBER
FF 142.3 BAA 1W	Automatic	0.5/8	-	25	1/4"	CNT0078E



MP OIL PRESSURE CONTROLS

MODEL NUMBER	RESET	SET POINT ADJUSTABLE (BARS)	DELAY (SEC)	MAXIMUM PRESSURE (BARS)	CONNECTION (INCHES)	ORDERING NUMBER
MP54 060B 1003	Manual	0.9-1.2	60	22	1/4"	CNT0002E
MP54 060B 1004	Manual	2.1/2.4	120	22	1/4"	CNT0038E



PRESSURE CONTROLS

P OIL PRESSURE CONTROLS

MODEL NUMBER	RESET	SET POINT ADJUSTABLE (BARS)	DELAY (SEC)	MAXIMUM PRESSURE (BARS)	CONNECTION (INCHES)	ORDERING NUMBER
P74 EA 9300	Automatic	0.6/4.8	0	23	1/4"	CNT0033E



WATER DIFFERENTIAL PRESSURE PRESSOSTAT

SETTING RANGE (BAR)	DIFFERENTIAL (BAR)	CONNECTION NPT	ORDERING NUMBER
0.015/0.2	0.8	5/8"	CNT0135E



2-WAY VALVES

240 RA SERIES

MODEL NUMBER	R22 NOMINAL CAPACITY (KW)	R502 NOMINAL CAPACITY (KW)	KV	CONNECTION DIAMETER	ORDERING NUMBER (1)
240 RA 9T 5T	69.1	45.3	3.8	5/8"	VAL0214E
240 RA 9T 7T	69.1	45.3	3.8	7/8"	VAL0216E
240 RA 12T 7T	103.5	68	5.7	7/8"	VAL0219E
240 RA 12T 9T	103.5	68	5.7	1"1/8	VAL0218E
240 RA 16T 9T	172	113.3	9.5	1"1/8	VAL0495E
240 RA 16T 11T	172	113.3	9.5	1"3/8	VAL0748E
240 RA 20T 11M	285.6	196.7	15.8	1"3/8	VAL0469E

(1) Valve without coil-See coil table.



COILS FOR 2 WAYS VALVES-TYPE 240 RA

MODEL NUMBER	VALVE TYPE	POWER SUPPLY 50-60HZ	ORDERING NUMBER
ASC24-IP65	401RD	24 V	COL0171E
ASC120-IP65	420RA	110 V	COL0169E
ACS208-IP65	240RA	208-240 V	COL0074E
Connector for Alco coil	-	-	CLP0036E



2-WAY VALVES

OVERHAUL KITS FOR 240 RA SERIE

MODEL NUMBER	DESCRIPTION	VALVE TYPE	ORDERING NUMBER
KS 30062	Repair kit	240 RA 9	KIT0335E
KS 30063	Repair kit	240 RA 12	KIT0336E
KS 30065	Repair kit	240 RA 16	KIT0337E
KS 30097	Repair kit	240 RA 20	KIT0338E
KS 30062-1	Gaskets kit	240 RA 9/12	KIT0993E
KS 30065-1	Gaskets kit	240 RA 16	KIT0992E
KS 30097-1	Gaskets kit	240 RA 20	KIT0991E



1098/7

MODEL NUMBER	KV	CONNECTION DIAMETER	ORDERING NUMBER
1098/7	5.11	7/8"	VAL0667E



COILS FOR 1098/7 VALVES

MODEL NUMBER	VALVE TYPE	POWER SUPPLY 50-60 HZ	ORDERING NUMBER
9100 /RA7	EV dia 7/8"	240 V	COL0321E



REVERSING VALVES

EVRV

TYPE	COIL POWER SUPPLY (V/HZ/PH)	COIL	ODF DIAMETER	ORDERING NUMBER
EVRV	230/50	COL0392E	3/8"-Gaz 1/2"	VAL0810E
EVRV	230/50	COL0392E	3/8"-5/16"	VAL0455E



5

COILS FOR EVRV VALVES

POWER SUPPLY STD 50-60HZ	VALVE TYPE	REFERENCE	ORDERING NUMBER
230 V	EVRV	VAL0810E-VAL0455E	COL0392E



V/VH/RV

MODEL NUMBER	SUCTION DIAMETERS ODF	DISCHARGE DIAMETERS ODF	COIL 230V/50/1	COIL 24V/50	ORDERING NUMBER
V10-414120200	7/8"	3/4"	COL0193E	COL0194E	VAL0718E
RV 3F45	5/8"	1/2"	COL0074E	COL0171E	VAL0489E
-	1"1/8"	5/8"	-	COL12849	VAL08350
-	3/4"	5/8"	-	COL12849	VAL08358



REVERSING VALVES

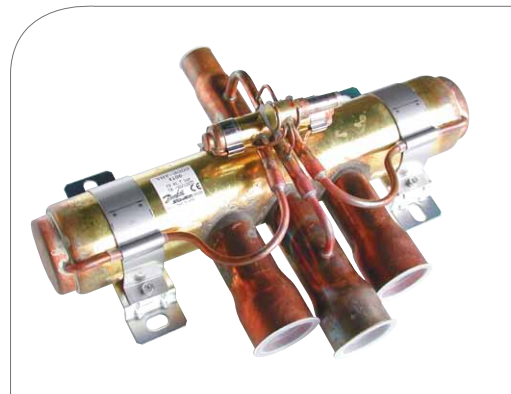
COILS FOR REVERSING VALVES V/VH/RV

MODEL NUMBER	POWER SUPPLY 50-60 HZ	ORDERING NUMBER
LB600120000	230 VAC	COL0175E
LB640160000	24 VAC	COL0173E
ASC24	24 VAC	COL0171E
ASC208	230 VAC	COL0074E
-	24 VAC	COL12849
LDK-414801000	208-240 VAC	COL0193E



VHV

MODEL NUMBER	COIL POWER SUPPLY (V/HZ/PH)	SUCTION DIAMETER ODF	DISCHARGE DIAMETER ODF	COIL 230V	ORDERING NUMBER
VHV6001	230/50/1	2"5/8	1"5/8	COL0393E	VAL0825E
VHV5001	230/50/1	2"1/8	1"1/2	COL0393E	VAL0826E
VHV4001	Without coil	1"3/4	1"1/2	COL0396E	VAL0833E
VHV3003	Without coil	1"7/8	1"1/8	COL0396E	VAL0841E
STF0715G	Without coil	1"1/8	7/8"	COL0395E	VAL0830E
STF-2505G3	Without coil	1"3/8	1"1/8	COL0396E	VAL0834E



REVERSING VALVES

COILS FOR REVERSING VALVES VHV

MODEL NUMBER	POWER SUPPLY 50-60 HZ	ORDERING NUMBER
061L2094	230 V	COL0392E
STF01AJ504F1	230 V	COL0393E
CHV01AJ504F1	24 V	COL0396E
STF01AB503B1	24 V	COL0395E

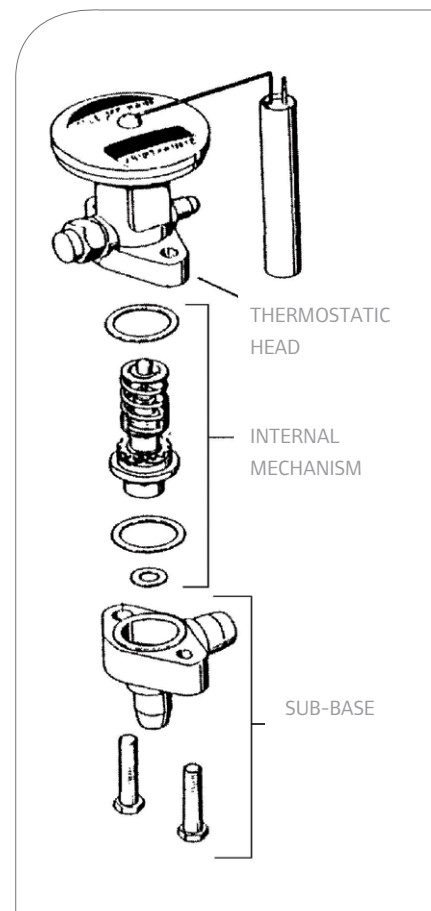


THERMOSTATIC EXPANSION VALVES

T SERIES R134A-SELECTION CHART

MODEL NUMBER	CAPACITY (KW)	ODF DIAMETER (INCH)	REMOTE BULB LENGTH (M)	INTERNAL MECHANISM	THERMOSTATIC HEAD WITHOUT MOP	THERMOSTATIC HEAD WITH MOP35	THERMOSTATIC HEAD MOP55	SUBBASE STRAIGHT (DL)	SUBBASE ANGLE (WL)
TCLE250MW	13.50	3/8"X5/8"	1.5	CAG0011E	PWR0007E	PWR0008E	PWR0009E	BOD0007E	BOD0001E
TCLE350MW	17.30	1/2"X5/8"	1.5	CAG0012E	PWR0007E	PWR0008E	PWR0009E	BOD0008E	BOD0002E
TCLE550MW	23.60	1/2"X5/8"	1.5	CAG0013E	PWR0007E	PWR0008E	PWR0009E	BOD0008E	BOD0002E
TCLE750MW	32.00	5/8"X7/8"	1.5	CAG0014E	PWR0007E	PWR0008E	PWR0009E	BOD0010E	BOD0003E
TCLE900MW	37.20	5/8"X7/8"	1.5	CAG0015E	PWR0007E	PWR0008E	PWR0009E	BOD0010E	BOD0003E
TJRE11MW	44.60	7/8"X7/8"	1.5	CAG0001E	PWR0007E	PWR0008E	PWR0009E	BOD0011E	BOD0004E
TJRE13MW	53.40	7/8"X7/8"	1.5	CAG0002E	PWR0007E	PWR0008E	PWR0009E	BOD0011E	BOD0004E
TERE16MW	66.40	7/8"X7/8"	3.0	CAG0003E	PWR0010E	PWR0011E	PWR0012E	BOD0012E	BOD0005E
TERE19MW	76.40	7/8"X7/8"	3.0	CAG0004E	PWR0010E	PWR0011E	PWR0012E	BOD0012E	BOD0005E
TERE25MW	102.10	7/8"X7/8"	3.0	CAG0005E	PWR0010E	PWR0011E	PWR0012E	BOD0012E	BOD0005E
TERE31MW	127.70	7/8"X7/8"	3.0	CAG0006E	PWR0010E	PWR0011E	PWR0012E	BOD0012E	BOD0005E
TIRE45MW	178.60	7/8"X7/8"	3.0	CAG0007E	PWR0010E	PWR0011E	PWR0012E	BOD0012E	BOD0005E
THRE55MW	230.0	7/8"X7/8"	3.0	CAG0008E	PWR0010E	PWR0011E	PWR0012E	BOD0013E	BOD0006E
THRE68MW	280.00	7/8"X7/8"	3.0	CAG0009E	PWR0010E	PWR0011E	PWR0012E	BOD0013E	BOD0006E

Nominal capacity: evap. +4°C/cond. +38°C/subcooling 1 K.



THERMOSTATIC EXPANSION VALVES

T SERIES R404A-SELECTION CHART

MODEL NUMBER	CAPACITY (KW)	ODF DIAMETER (INCH)	REMOTE BULB LENGTH (M)	INTERNAL MECHANISM	THERMOSTATIC HEAD WITHOUT MOP	THERMOSTATIC HEAD WITH MOP40	THERMOSTATIC HEAD WITH MOP80	SUBBASE STRAIGHT (DL)	SUBBASE ANGLE(WL)
TCLE75SW	2.60	3/8"X5/8"	1.5	CAG0016E	PWR0015E	PWR0022E	PWR0016E	BOD0007E	BOD0001E
TCLE150SW	5.60	3/8"X5/8"	1.5	CAG0010E	PWR0015E	PWR0022E	PWR0016E	BOD0007E	BOD0001E
TCLE250SW	12.20	3/8"X5/8"	1.5	CAG0011E	PWR0015E	PWR0022E	PWR0016E	BOD0007E	BOD0001E
TCLE400SW	15.70	1/2"X 5/8"	1.5	CAG0012E	PWR0015E	PWR0022E	PWR0016E	BOD0008E	BOD0002E
TCLE600SW	21.50	1/2"X5/8"	1.5	CAG0013E	PWR0015E	PWR0022E	PWR0016E	BOD0008E	BOD0002E
TCLE850SW	29.00	5/8"X7/8"	1.5	CAG0014E	PWR0015E	PWR0022E	PWR0016E	BOD0010E	BOD0003E
TCLE1000SW	33.80	5/8"X7/8"	1.5	CAG0015E	PWR0015E	PWR0022E	PWR0016E	BOD0010E	BOD0003E
TJRE12SW	42.80	7/8"X7/8"	1.5	CAG0001E	PWR0015E	PWR0022E	PWR0016E	BOD0011E	BOD0004E
TJRE14SW	51.30	7/8"X7/8"	1.5	CAG0002E	PWR0015E	PWR0022E	PWR0016E	BOD0011E	BOD0004E
TERE18SW	63.40	7/8"X7/8"	3.0	CAG0003E	PWR0017E	PWR0023E	PWR0018E	BOD0012E	BOD0005E
TERE20SW	72.30	7/8"X7/8"	3.0	CAG0004E	PWR0017E	PWR0023E	PWR0018E	BOD0012E	BOD0005E
TERE27SW	95.00	7/8"X7/8"	3.0	CAG0005E	PWR0017E	PWR0023E	PWR0018E	BOD0012E	BOD0005E
TERE37SW	122.10	7/8"X7/8"	3.0	CAG0007E	PWR0017E	PWR0023E	PWR0018E	BOD0012E	BOD0005E
TIRE47SW	167.40	7/8"X7/8"	3.0	CAG0007E	PWR0017E	PWR0023E	PWR0018E	BOD0012E	BOD0005E
THRE61SW	217.00	7/8"X7/8"	3.0	CAG0008E	PWR0017E	PWR0023E	PWR0018E	BOD0013E	BOD0006E
THRE77SW	272.00	7/8"X7/8"	3.0	CAG0009E	PWR0017E	PWR0023E	PWR0018E	BOD0013E	BOD0006E

Nominal capacity: evap. +4°C/cond. +38°C/subcooling 1 K.

T SERIES R22-SELECTION CHART

MODEL NUMBER	CAPACITY (KW)	ODF DIAMETER (INCH)	REMOTE BULB LENGTH (M)	INTERNAL MECHANISM	THERMOSTATIC HEAD WITHOUT MOP	THERMOSTATIC HEAD MOP65	THERMOSTATIC HEAD MOP100	SUBBASE STRAIGHT (DL)	SUBBASE ANGLE (WL)
TCLE100HW	3.70	3/8"X5/8"	1.5	CAG0016E	PWR0001E	PWR0002E	PWR0003E	BOD0007E	BOD0001E
TCLE200HW	7.90	3/8"X5/8"	1.5	CAG0010E	PWR0001E	PWR0002E	PWR0003E	BOD0007E	BOD0001E
TCLE300HW	17.30	3/8"X5/8"	1.5	CAG0011E	PWR0001E	PWR0002E	PWR0003E	BOD0007E	BOD0001E
TCLE500HW	22.20	1/2"X5/8"	1.5	CAG0012E	PWR0001E	PWR0002E	PWR0003E	BOD0008E	BOD0002E
TCLE500HW	22.20	3/8"X5/8"	1.5	CAG0012E	PWR0001E	PWR0002E	PWR0003E	BOD0007E	BOD0002E
TCLE500HW	22.20	5/8"X7/8"	1.5	CAG0012E	PWR0001E	PWR0002E	PWR0003E	BOD0010E	BOD0003E
TCLE750HW	30.40	5/8"X7/8"	1.5	CAG0013E	PWR0001E	PWR0002E	PWR0003E	BOD0010E	BOD0003E
TCLE750HW	30.40	5/8"X1" 1/8	1.5	CAG0013E	PWR0001E	PWR0002E	PWR0003E	BOD0016E	-
TCLE750HW	30.40	1/2"X5/8"	1.5	CAG0013E	PWR0001E	PWR0002E	PWR0003E	BOD0008E	BOD0002E
TCLE1000HW	41.10	5/8"X7/8"	1.5	CAG0014E	PWR0001E	PWR0002E	PWR0003E	BOD0010E	BOD0003E
TCLE1200HW	47.80	5/8"X7/8"	1.5	CAG0015E	PWR0001E	PWR0002E	PWR0003E	BOD0010E	BOD0003E
TERE22HW	86.50	7/8"X7/8"	3.0	CAG0003E	PWR0004E	PWR0005E	PWR0006E	BOD0012E	BOD0005E
TERE22HW	86.50	7/8"X7/8"	6.0	CAG0003E	PWR0020E	PWR0024E	PWR0025E	BOD0012E	BOD0005E
TERE26HW	102.30	7/8"X7/8"	3.0	CAG0004E	PWR0004E	PWR0005E	PWR0006E	BOD0012E	BOD0005E
TERE26HW	102.30	7/8"X7/8"	6.0	CAG0004E	PWR0020E	PWR0024E	PWR0025E	BOD0012E	BOD0005E
TERE35HW	137.50	7/8"X7/8"	3.0	CAG0005E	PWR0004E	PWR0005E	PWR0006E	BOD0012E	BOD0005E
TERE35HW	137.50	7/8"X7/8"	6.0	CAG0005E	PWR0020E	PWR0024E	PWR0025E	BOD0012E	BOD0005E
TERE45HW	177.00	7/8"X7/8"	3.0	CAG0006E	PWR0004E	PWR0005E	PWR0006E	BOD0012E	BOD0005E
TERE45HW	177.00	7/8"X7/8"	6.0	CAG0006E	PWR0020E	PWR0024E	PWR0025E	BOD0012E	BOD0005E
THRE75HW	295.00	7/8"X7/8"	3.0	CAG0008E	PWR0004E	PWR0005E	PWR0006E	BOD0013E	BOD0006E
THRE75HW	295.00	7/8"X7/8"	6.0	CAG0008E	PWR0020E	PWR0024E	PWR0025E	BOD0013E	BOD0006E
THRE100HW	393.00	7/8"X7/8"	3.0	CAG0009E	PWR0004E	PWR0005E	PWR0006E	BOD0013E	BOD0006E
THRE100HW	393.00	7/8"X7/8"	6.0	CAG0009E	PWR0020E	PWR0024E	PWR0025E	BOD0013E	BOD0006E
TIRE55HW	216.30	7/8"X7/8"	3.0	CAG0007E	PWR0004E	PWR0005E	PWR0006E	BOD0012E	BOD0005E
TIRE55HW	216.30	7/8"X7/8"	6.0	CAG0007E	PWR0020E	PWR0024E	PWR0025E	BOD0012E	BOD0005E
TJRE14HW	57.70	7/8"X7/8"	1.5	CAG0001E	PWR0001E	PWR0002E	PWR0003E	BOD0011E	BOD0004E
TJRE18HW	69.20	7/8"X7/8"	1.5	CAG0002E	PWR0001E	PWR0002E	PWR0003E	BOD0011E	BOD0004E

Nominal capacity: evap. +4°C/cond. +38°C/Subcooling 1 K.

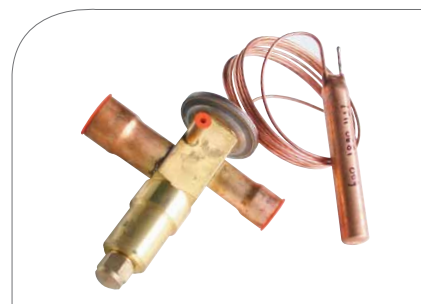
THERMOSTATIC EXPANSION VALVES

TGE SERIES

MODEL NUMBER	NOMINAL COOLING CAPACITY (1)	REFRIGERANT	CONNECTION DIAMETER	CAPILLARY LENGTH (M)	ORDERING NUMBER
TGEN 4.5	17	R134a	5/8"x7/8"	1.5	VAL0919E
TGEN 7	24	R134a	5/8"x7/8"	1.5	VAL0920E
TGEN 8	29	R134a	5/8"x1"1/8	1.5	VAL0921E
TGEN 10	37	R134a	7/8"x1"1/8	1.5	VAL0922E
TGEN 12	44	R134a	7/8"x1"1/8	3.0	VAL0923E
TGEN 17	61	R134a	7/8"x1"3/8	3.0	VAL0924E
TGEN 20	70	R134a	1"1/8X1"3/8	3.0	VAL0925E
TGEN 25	87	R134a	1"1/8X1"3/8	3.0	VAL0926E
TGEX 7.5	27	R22	5/8"x7/8"	1.5	VAL0945E
TGEX 11	38	R22	5/8"x7/8"	1.5	VAL0946E
TGEX 12	43	R22	5/8"x1"1/8	1.5	VAL0947E
TGEX 15	54	R22	7/8"x1"1/8	1.5	VAL0948E
TGEX 18	63	R22	7/8"x1"1/8	3.0	VAL0949E
TGEX 26	92	R22	7/8"x1"1/8	3.0	VAL0950E
TGEX 30	104	R22	1"1/8X1"3/8	3.0	VAL0951E
TGEX 38	134	R22	1"1/8X1"3/8	3.0	VAL0952E
TGEL 6.5	24	R410A	1/2"x7/8"	1.5	VAL0927E
TGEL 9	32	R410A	5/8"x7/8"	1.5	VAL0928E
TGEL 13	45	R410A	5/8"x1"1/8	1.5	VAL0929E
TGEL 15	54	R410A	5/8"x1"1/8	3.0	VAL0930E
TGEL 19	68	R410A	7/8"x1"1/8	3.0	VAL0931E
TGEL 23	79	R410A	7/8"x1"1/8	3.0	VAL0932E
TGEL 31	110	R410A	7/8"x1"1/8	3.0	VAL0933E
TGEL 35	125	R410A	1"1/8X1"3/8	3.0	VAL0934E
TGEL 46	161	R410A	1"1/8X1"3/8	3.0	VAL0935E

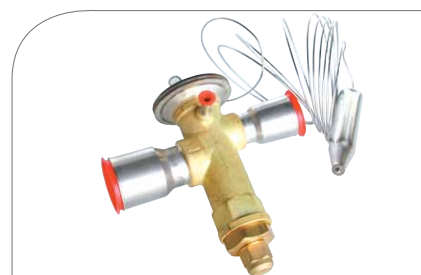
(1) Nominal capacity: evap. +4°C/cond. +38°C/subcooling 4K.

Connection type: straight.



TRE SERIES

MODEL NUMBER	REFRIGERANT	CAPILLARY LENGTH (M)	INLET CONNECTION	OUTLET CONNECTION	ORDERING NUMBER
TRE	R407C	3	1"1/8	1"3/8	VAL0839E
TRE	R22	3	1"1/8	1"3/8	VAL0840E



THERMOSTATIC EXPANSION VALVES

TX6 SERIES

MODEL NUMBER	CAPACITY (KW)(1)	MOP	REFRIGERANT	INPUT-OUTPUT (INCHES)	REMOTE BULB LENGTH (M)	ORDERING NUMBER
TX6 H02	13.3	Without	R22	1/2"X5/8"	1.5	VAL0430E
TX6 H03	23.7	Without	R22	1/2"X5/8"	1.5	VAL0431E
TX6 H04	33.0	Without	R22	5/8"X7/8"	1.5	VAL0432E
TX6 H05	41.8	Without	R22	5/8"X7/8"	1.5	VAL0434E
TX6 H14	33	MOP	R22	5/8"X7/8"	1.5	VAL0433E
TX6 H15	41.8	MOP	R22	5/8"X7/8"	1.5	VAL0435E
TX6 H16	61.9	MOP	R22	7/8"X1"1/8	1.5	VAL0436E
TX6 H17	80.8	MOP	R22	7/8"X1"1/8	1.5	VAL0437E
TX6 M03	18.4	Without	R134a	1/2"X5/8"	1.5	VAL0429E
TX6 M15	32.5	MOP	R134a	5/8"X7/8"	1.5	VAL0427E
TX6 M16	32.5	MOP	R134a	7/8"X1"1/8	1.5	VAL0438E
TX6 M17	62.8	MOP	R134a	7/8"X1"1/8	1.5	VAL0439E
TX6 N07	83.7	Without	R407C	7/8"X1"1/8	1.5	VAL0539E

(1) Nominal capacity: evap. +4°C/cond. +38°C/subcooling 1 K.

Connection type: straight.



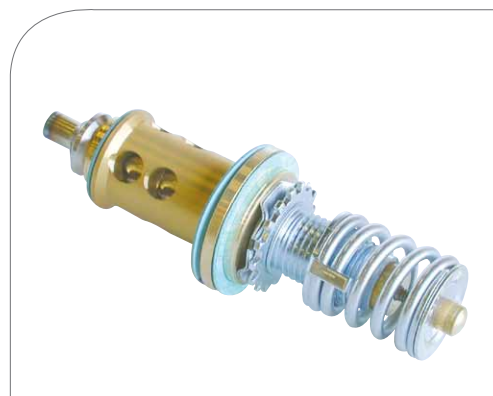
TR6 SERIES

MODEL NUMBER	NOMINAL COOLING CAPACITY (KW)	REFRIGERANT	INLET OUTLET (INCH)	CAPILLARY LENGTH (INCH)	ORDERING NUMBER
TR6	21.10	R410A	3/8"X1/2"	24.3	VAL08972
TR6	17.59	R410A	3/8"X1/2"	24.3	VAL08975
TR6	17.59	R410A	3/8"X1/2"	24.3	VAL08976
TR6	21.10	R410A	3/8"X1/2"	24.3	VAL08977
TR6	17.59	R410A	3/8"X1/2"	24.3	VAL08978
TR6	17.59	R410A	3/8"X1/2"	24.3	VAL09587
TR6	24.62	R410A	3/8"X1/2"	24.3	VAL09588
TR6	21.10	R410A	3/8"X1/2"	24.3	VAL09589

THERMOSTATIC EXPANSION VALVES

INTERNAL MECHANISM

TYPE	MODEL NUMBER	NOMINAL COOLING CAPACITY R134A	NOMINAL COOLING CAPACITY R22	ORDERING NUMBER
TJRE	X11873 B4B	11	14	CAG0001E
TJRE	X11873 B5B	13	18	CAG0002E
TERE	X9117 B6B	16	22	CAG0003E
TERE	X9117 B7B	19	26	CAG0004E
TERE	X9117 B8B	25	35	CAG0005E
TERE	X9117 B9B	31	45	CAG0006E
TIRE	X9166 B10B	45	55	CAG0007E
THRE	X9144 B11B	55	75	CAG0008E
THRE	X9144 B13B	68	100	CAG0009E
TCLE	X22440 B3B	150	200	CAG0010E
TCLE	X22440 B4B	250	300	CAG0011E
TCLE	X22440 B5B	350	500	CAG0012E
TCLE	X22440 B6B	550	750	CAG0013E
TCLE	X22440 B7B	750	1000	CAG0014E
TCLE	X2240 B8B	900	1200	CAG0015E
TCLE	X22440 B2B	75	100	CAG0016E



THERMOSTATIC EXPANSION VALVES

THERMOSTATIC HEAD

TYPE	MODEL NUMBER	MOP	REFRIGERANT	REMOTE BULB LENGTH (M)	ORDERING NUMBER
TJRE	XB 1019 HW 000 1B	Without	R22	1.5	PWR0001E
TJRE	XB 1019 HW 065 1B	65	R22	1.5	PWR0002E
TJRE	XB 1019 HW 100 1B	100	R22	1.5	PWR0003E
TERE-TIRE	XC 726 HW 000 2B	Without	R22	3.0	PWR0004E
TERE-TIRE	XC 726 HW 065 2B	65	R22	3.0	PWR0005E
TERE-TIRE	XC 726 HW 100 2B	100	R22	3.0	PWR0006E
TERE-TIRE	XC 726 HW 000 4B	Without	R22	6.0	PWR0020E
TERE-TIRE-THRE	XC 726 HW 065 4B	65	R22	6.0	PWR0024E
TERE-TIRE-THRE	XC 726 HW 100 4B	100	R22	6.0	PWR0025E
TCLE-TJRE	XB 1019 MW 000 1B	Without	R134a	1.5	PWR0007E
TCLE-TJRE	XB 1019 MW 035 1B	35	R134a	1.5	PWR0008E
TCLE-TJRE	XB 1019 MW 055 1B	55	R134a	1.5	PWR0009E
TERE-TIRE	XC 726 MW 000 2B	Without	R134a	3.0	PWR0010E
TERE-TIRE	XC 726 MW 035 2B	35	R134a	3.0	PWR0011E
TERE-TIRE	XC 726 MW 055 2B	55	R134a	3.0	PWR0012E
TCLE-TJRE	XB 1019 SW 000 1B	Without	R404a	1.5	PWR0015E
TCLE-TJRE	XB 1019 SW 040 1B	40	R404a	1.5	PWR0022E
TCLE-TJRE	XB 1019 SW 080 1B	80	R404a	1.5	PWR0016E
TERE-TIRE	XC 726 SW 000 2B	Without	R404a	3.0	PWR0017E
TERE-TIRE	XC 726 SW 040 2B	40	R404a	3.0	PWR0023E
TERE-TIRE	XC 726 SW 080 2B	80	R404a	3.0	PWR0018E
TCLE-TJRE	XB 1019 NW 000 1B	Without	R407C	1.5	PWR0026E
TCLE-TJRE	XB 1019 NW 100 1B	100	R407C	1.5	PWR0027E
TERE-TIRE-THRE	XC 726 NW 000 2B	Without	R407C	3.0	PWR0021E
TERE-TIRE-THRE	XC 726 NW 100 2B	100	R407C	3.0	PWR0028E



THERMOSTATIC EXPANSION VALVES

SUBBASE

MODEL NUMBER	CONNECTION	DIAMETER ODF (INCHES)	ORDERING NUMBER
TCLE-C5017	Angle	3/8"X 5/8"	BOD0001E
TCLE-C5015	Angle	1/2"X5/8"	BOD0002E
TCLE-A576	Angle	5/8"X7/8"	BOD0003E
TJRE-10331	Angle	7/8"X7/8"	BOD0004E
TERE/TIRE-9153	Angle	7/8"X7/8"	BOD0005E
THRE-9149	Angle	7/8"X7/8"	BOD0006E
TCLE-97613	Straight	3/8"X5/8"	BOD0007E
TCLE- 97614	Straight	1/2"X5/8"	BOD0008E
TCLE-X634617	Straight	5/8"X7/8"	BOD0010E
TJRE- 10332	Straight	7/8"X7/8"	BOD0011E
TERE-9152	Straight	7/8"X7/8"	BOD0012E
THRE-9148	Straight	7/8"X7/8"	BOD0013E



SIGHT GLASSES-BRAZED TYPE

A TYPE

MODEL NUMBER	PART DESCRIPTION	CONNECTION	ORDERING NUMBER
CYS 80419	Sight glass+Body	7/8"	GLS0027E
CYS 80420	Sight glass+Body	1"1/8	GLS0028E
CYS 80121	Sight glass+Body	1" 1/4	GLS0011E
VCYLS 11	Sight glass+Body	1" 3/8	GLS0029E



5

B TYPE

MODEL NUMBER	PART DESCRIPTION	DIMENSION A (MM)	DIMENSION B (MM)	DIMENSION C (MM)	DIMENSION D (MM)	DIMENSION E (MM)	CONNECTION	ORDERING NUMBER
MI 30 1/2S	Sight glass+Body	66.7	8.7	41.3	47.6	9.5	1/2"	GLS0050E
MI 30 3/8 S	Sight glass+Body	60.3	8.7	41.3	44.4	7.9	3/8"	GLS0049E
SI 3 7/8	Body only	-	-	-	-	-	7/8"	GLS0001E
MI 30 7/8 S	Sight Glass+Body	95.2	12.7	54	57.1	19	7/8"	GLS0052E
SI 3 1"1/8	Body only	-	-	-	-	-	1"1/8	GLS0003E
MI 31	Sight glass+Body	105.4	13.7	63	65	20	1"1/8	GLS0053E
MI 3B	Sight glass only	-	-	-	-	-	-	GLS0018E
PSC5S	Sight glass+Body	74.6	11.5	49.2	49.2	12.7	5/8"	GLS0013E



GAUGES

GAUGES

FUNCTION	REFRIGERANT	RANGE (BARS)	RANGE (PSIG)	DIAMETERS (MM)	CONNECTION (INCHES)	ORDERING NUMBER
OIL	OIL	0/16	0/230	60.0	1/8"	GAG0012E
OIL	OIL	0/17	0/240	80	1/8"	GAG0024E
OIL	OIL	0/18	0/255	80	1/4"	GAG0050E
OIL	OIL	0/19	0/270	63.0	1/4"	GAG0053E
L.P.	R22/R134a	0/16	0/227	63.0	1/4"	GAG0046E
L.P.	MULTI	0/20	0/227	63.0	1/4"	GAG0071E
L.P.	R134a	0/16	0/227	80.0	1/4"	GAG0048E
H.P.	R134a	0/25	0/355	80.0	1/4"	GAG0049E
H.P.	MULTI	0/40	0/568	63.0	1/4"	GAG0069E
H.P.	R22/R134a	0/40	0/568	63.0	1/4"	GAG0047E
Refrigerant slide rule	-	-	-	-	-	TOL0049E



COIL QUOTATIONS

Trane SureFit™ Coils

Trane is committed to being your single-source solution for replacement coils—for any HVAC equipment, from any manufacturer. Our system offers rapid quotes. With a wide service network and over 1,000 of the best trained engineers and service technicians in the industry, Trane is always prepared to rush the delivery of your Trane SureFit™ coils.

Coils for any type of application or brand

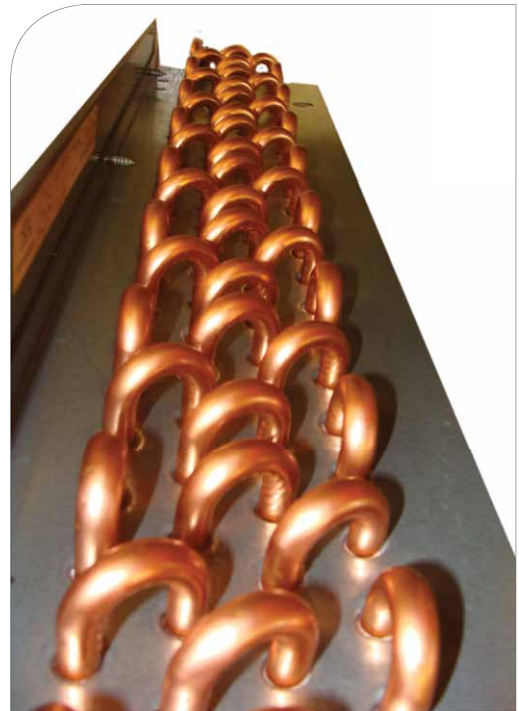
Trane SureFit™ coils are available for the majority of applications and designs:

- Refrigerant, water, steam
- Material types: aluminium, copper, stainless steel, epoxy coated
- Chillers, air handling units, dry cooler, ...
- Numbers of circuits

No matter if the original coil is not a Trane design; we can provide any type of coil regardless of the brand.

Trane SureFit™ replacement coils will restore reliability and efficiency to original specifications as well as reducing operating cost.

In certain cases, it is possible to exceed original specifications.



Terminal units



Fan coils concealed units



Fan coil units
Concealed horizontal



Cassette units



Fan coils units
UniTrane™

Outdoor chillers



Helical rotary compressor



Scroll compressor

Air handling units



Commercial AHU

PLATE TYPE HEAT EXCHANGERS

STAINLESS STEEL HEAT EXCHANGERS

TYPE	NB ROWS	WATER CONNECTION	GAZ CONNECTION-INLET/OUTLET	CIRCUIT NB	DIMENSIONS (MM) HEIGHTXWIDTHXDEPTH	ORDERING NUMBER
AC350-210DQ	210	3"	1"3/8-3"1/8	2	741X324X710.2	EXC0035E
B15-20	20	7/8"	7/8"-7/8"	2	465X72X89.1	EXC0018E
B15-30	30	7/8"	7/8"-7/8"	2	465X72X111.5	EXC0019E
B08-30	30	1/2"	1/2"	1	312 X72X98.1	EXC0017E
B25T-20	20	1"	1"1/8-1"1/8	1	524X117X97.0	EXC0001E
B25T-24	24	1"	1"1/8-1"1/8	1	524X117X106.6	EXC0005E
B25T-30	30	1"	1"1/8-1"1/8	1	524X117X121.0	EXC0002E
B25T-34	34	1"	1"1/8-1"1/8	1	524X117X120.6	EXC0006E
B25T-40	40	1"	1"1/8-1"1/8	1	524X117X145.0	EXC0003E
B25T-60	60	1"	1"1/8-1"1/8	1	524X117X193.0	EXC0004E
B50M-40	40	2" 1/8	2"5/8-2"5/8	1	524X241X190.0	EXC0024E
B120TH-30	30	1"5/8	7/8"-1"5/8	1	525X243X109.8	CDS0629E
B120TH-40	40	1"5/8	7/8"-1"5/8	1	525X243X132.7	CDS0630E
B120TH-50	50	1"5/8	7/8"-1"5/8	1	525X243X155.6	CDS0631E
B120TH-60	60	1"5/8	7/8"-1"5/8	1	525X243X178.5	CDS0632E
B200	38	1"5/8	1"5/8"-7/8"	1	525X243X143.1	CDS0710E
B200	46	1"5/8	1"5/8"-7/8"	1	525X243X171.8	CDS0711E
B200	54	1"5/8	1"5/8"-7/8"	1	525X243X190.6	CDS0712E
B400T-94	94	3" Victaulic	2"5/8-1"3/8	1	694X304X287.4	EXC0096E
B400T-114	114	3" Victaulic	2"5/8-1"3/8	1	694X304X333.2	EXC0097E
B400T-144	144	3" Victaulic	2"5/8-1"3/8	1	694X304X401.9	EXC0098E
CB26-18H	18	7/8"	7/8"-7/8"	1	311 X112 X78	EXC0023E
CB26-44H	44	1"1/8	7/8"-1"1/8	1	311X112X140	EXC0022E
DB47-74	74	2"1/8	1"3/8-7/8"	2	525X243X241.8	CDS0657E
DB47-86	86	2"1/8	1"3/8-7/8"	2	525X243X270.6	CDS0658E
DB47-102	102	2"1/8	1"3/8-7/8"	2	525X243X309.0	CDS0659E
DB47-134	134	2"1/8	1"3/8-7/8"	2	525X243X385.8	CDS0660E
DP 400	74	Victaulic 3 " 1/2	5/8"- 1"3/4	2	694X304X189	EXC0169E
DP 400	90	Victaulic 3 " 1/2	5/8"- 1"3/4	2	694X304X227	EXC0170E
DP 400	102	Victaulic 3 " 1/2	5/8"- 1"3/4	2	694X304X256	EXC0171E
DP 400	114	Victaulic 3 " 1/2	5/8"- 2"1/8	2	694X304X285	EXC0172E
DP 400	126	Victaulic 3 " 1/2	5/8"- 2"1/8	2	694X304X313	EXC0173E
DP 400	134	Victaulic 3 " 1/2	5/8"- 2"1/8	2	694X304X 332	EXC0174E
DP 400	154	Victaulic 3 " 1/2	3/4"- 2"1/8	2	694X304X 380	EXC0175E
DP 400	162	Victaulic 3 " 1/2	3/4"- 2"1/8	2	694X304X 399	EXC0176E
DP 400	186	Victaulic 3 " 1/2	3/4"- 2"1/8	2	694X304X 457	EXC0177E
DP 400	194	Victaulic 3 " 1/2	3/4"- 2"1/8	2	694X304X 476	EXC0178E
DP 400	206	Victaulic 3 " 1/2	7/8"- 2"5/8	2	694X304X 504	EXC0179E
DP 400	222	Victaulic 3 " 1/2	7/8"- 2"5/8	2	694X304X543	EXC0180E
DV47-38	38	1"5/8	7/8"-1"3/8	2	525X243X159.0	EVPO585E
DV47-74	74	2"1/8	7/8"-1"5/8	2	525X243X246.0	EVPO597E
DV47-86	86	2"1/8	7/8"-1"5/8	2	525X243X274.0	EVPO598E
DV47-102	102	2"1/8	7/8"-1"5/8	2	525X243X309.0	EVPO599E
DV47-134	134	2"1/8	7/8"-1"5/8	2	525X243X390.0	EVPO600E



PLATE TYPE HEAT EXCHANGERS

TYPE	NB ROWS	WATER CONNECTION	GAZ CONNECTION -INLET/OUTLET	CIRCUIT NB	DIMENSIONS (MM) HEIGHTXWIDTHXDEPTH	ORDERING NUMBER
DV200-50	50	1"5/8	7/8"-1"3/8	2	525X243X191.0	EXC0165E
DV400	82	3" Victaulic	1"1/8"- 2"1/8	2	694X304X324.4	EVP0644E
DV400	94	3" Victaulic	1"3/8-2"1/8	2	694X304X324.4	EVP0645E
DV400	122	3" Victaulic	1"3/8 -2"1/8	2	694X304X422.4	EVP0641E
DV400	138	3" Victaulic	1"3/8-2"1/8	2	694X304X461.4	EVP0642E
DV400	170	3" Victaulic	1"3/8-2"1/8	2	694X304X539.4	EVP0643E
DV58-102	102	2"5/8	2"1/8-1"1/8	2	694X304X319.0	EXC0025E
V120TH-30	30	1"5/8	7/8"-1"5/8	1	525X243X136.9	EVP0588E
V120TH-40	40	1"5/8	7/8"-1"5/8	1	525X243X159.8	EVP0589E
V120TH-46	46	2"	7/8"-1"5/8	1	525X243X200.6	EVP0603E
V120TH-50	50	1"5/8	7/8"-1"5/8	1	525X243X182.7	EVP0590E
V120TH-58	58	2"	7/8"-1"5/8	1	525X243X228.1	EVP0604E
V120TH-60	60	2"1/8	1"1/8 -2"1/8	1	525X243X205.6	EXC0020E
V120TH-60	60	1"5/8	7/8"-1"5/8	1	525X243X205.6	EVP0591E
V120TH-70	70	2" 1/8	7/8"- 1"5/8	1	525X243X228.5	EVP0635E
V120TH-70	70	2"	7/8"-1"5/8	1	525X243X255.6	EVP0605E
V120TH-90	90	2" 1/8	1"1/8"- 2"1/8	1	525X243X274.3	EVP0636E
V120TH-90	90	2" 1/8	1"1/8 -2"1/8	1	525X243X274.3	EXC0021E
V120TH-90	90	2"	1"1/8"- 2"1/8	1	525X243X301.4	EVP0640E
V200-38	38	2" Victaulic	7/8"-1"5/8	1	525X243X197.3	EVP0646E
V200-46	46	2" Victaulic	7/8"-1"5/8	1	525X243X226.0	EVP0647E
V200-54	54	2" Victaulic	7/8"-1"5/8	1	525X243X244.8	EVP0648E
V200-72	72	2" Victaulic	1"1/8-2"1/8	1	525X243X286.9	EVP0649E
V200-T	38	1"5/8	7/8"-1"5/8	1	525X243X197.3	EVP0650E
V200-T	46	1"5/8	7/8"-1"5/8	1	525X243X226.0	EVP0651E
V200-T	54	1"5/8	7/8"-1"5/8	1	525X243X244.8	EVP0652E
V25T-50	50	1"	5/8"-1"1/8	1	524X117X169.0	EXC0012E
V25T-60	60	1"	5/8"-1"5/8	1	524X117X193.0	EXC0013E
V80H-50	50	1"1/4	5/8"-1"3/8	1	526 X119 X170.0	EXC0015E
B200T-72P	72	3" 1"5/8	1"5/8	2	525X243X265,6	EXC0250E
B200T-84P	84	3" 1"5/8	1"5/8	2	525X243X293,10	EXC0251E
B200T-100P	100	3" 2"1/8	2"1/8	2	525X243X329,7	EXC0252E
B200T-116P	116	3" 2"1/8	2"1/8	2	525X243X366,3	EXC0253E

FILTER DRIERS

DCY ANTI-ACID FILTER DRIER-BRAZED CONNECTIONS

MODEL NUMBER	CONNECTION ODM	CONNECTION ODF	NOMINAL CAPACITY (KW) R22	CAPACITY (G)	DIAMETERS (MM)	LENGTH (MM)	ORDERING NUMBER
DCY 083 SK	1/2"	3/8"	13.9	14.0	53.0	139.0	DHY00144
DCY 084 SK	5/8"	1/2"	20.9	14.0	53.0	141.0	DHY00146
DCY 164 S	5/8"	1/2"	26.2	37.0	74.0	163.0	DHY00152
DCY 165 SK	3/4"	5/8"	35.0	13.0	93.0	164.0	DHY00154
DCY 305 SK	3/4"	5/8"	53.0	15.0	53.0	235.0	DHY00161
DCY 417 S	1"	7/8"	110.3	111.0	93.0	278.0	DHY00170



EK ANTI-ACID FILTER DRIER-BRAZED CONNECTIONS

MODEL NUMBER	CONNECTION ODM	CONNECTION ODF	NOMINAL CAPACITY (KW) R22	CAPACITY (G)	DIAMETERS (MM)	LENGTH (MM)	ORDERING NUMBER
EK 053 S	1/2"	3/8"	10.4	9.0	53.0	111.0	DHY00140
EK 163 S	1/2"	3/8"	14.6	36.0	74.0	159.0	DHY00150
EK 303 S	1/2"	3/8"	17.4	62.5	74.0	233.0	DHY00157
EK 304 S	5/8"	1/2"	34.8	63.0	74.0	141.0	DHY00159
EK 414 S	5/8"	1/2"	34.4	103.0	93.0	232.0	DHY00167
EK 415 S	3/4"	5/8"	61.5	106.0	93.0	245.0	DHY00169
EK 757 S	1"	7/8"	104.0	67.0	74.0	308.0	DHY00172



FILTER DRIERS

ASD SUCTION LINE FILTER DRIER BURN-OUT-BRAZED CONNECTIONS

MODEL NUMBER	CONNECTION ODF	NOMINAL CAPACITY (KW) R22	CAPACITY (G)	DIAMETERS (MM)	LENGTH (MM)	ORDERING NUMBER
ASD 35 S5	5/8"	20.4	23.0	77.8	187.3	DHY00177
ASD 45 S6	3/4"	24.6	28.0	77.8	187.3	DHY00178
ASD 45 S7	7/8"	32.3	28.0	77.8	226.2	DHY00179
ASD 50 S9	1"1/8	46.4	33.0	77.8	264.3	DHY00180
ASD 75 S11	1"3/8	56.9	48.0	77.8	379.4	DHY00181
ASD 75 S13	1"5/8	60.8	48.0	77.8	400.0	DHY00182



5

EK ANTI-ACID FILTER DRIER-THREAT CONNECTIONS

MODEL NUMBER	CONNECTION LINE SAE	NOMINAL CAPACITY (KW) R22	CAPACITY (G)	DIAMETERS (MM)	LENGTH (MM)	ORDERING NUMBER
EK 032	1/4"	4.6	6.0	53.0	107.0	DHY00131
EK 052	1/4"	5.2	8.5	53.0	118.0	DHY00137
EK 083	3/8"	13.9	14.0	53.0	155.0	DHY00143
EK 084	1/2"	20.9	14.0	53.0	161.0	DHY00145
EK 163	3/8"	14.6	36.0	74.0	175.0	DHY00149
EK 164	1/2"	26.2	37.0	74.0	183.0	DHY00151
EK 303	3/8"	17.4	62.5	74.0	249.0	DHY00156
EK 304	1/2"	34.8	63.0	74.0	255.0	DHY00158
EK 414	1/2"	34.8	103.0	93.0	252.0	DHY00166



FILTER DRIERS

SHELLS

MODEL NUMBER	NOMINAL CAPACITY R 22 (KW)	CONNECTION	LENGTH (MM)	DIAMETERS (MM)	CORE QUANTITY	PACKAGING (PCS)	ORDERING NUMBER
BCY 487	87.0	7/8"	246.0	128.0	1	1	DHY00111
BCY 967	121.9	7/8"	386.0	128.0	2	1	DHY00115
BCY 969	156.7	1"1/8	391.0	128.0	2	1	DHY00116
BCY 1449	174.1	1"1/8	531.0	128.0	3	1	DHY00120
BCY 14411	243.8	1"3/8	541.0	128.0	3	1	DHY0021E
BCY 19211	261.2	1"3/8	686.0	128.0	4	1	DHY0004E
BCY 19213	348.3	1"5/8	686.0	128.0	4	1	DHY0022E



PERMANENT FILTER-BRAZED CONNECTION

MODEL NUMBER	FUNCTION	CONNECTION	NOMINAL CAPACITY (KW) R22	DIAMETERS	ORDERING NUMBER
WAH759S	Filter drier	1" 1/8	45	89	DHY0033E
WAH417S	Filter drier	7/8"	38	89	DHY0034E



FILTER DRIERS

BKF FILTER DRIERS BI-FLOW-BRAZED CONNECTIONS

MODEL NUMBER	NOMINAL CAPACITY (KW) R22	CONNECTION ODF	LENGTH (MM)	DIAMETERS (MM)	ORDERING NUMBER
BKF084 S	33.4	1/2"	98.4	58.7	DHY00101
BKF085 S	40.4	5/8"	98.4	58.7	DHY00103
BKF163 S	26.0	1/2"	116.0	73.0	DHY00105
BKF164 S	40.4	1/2"	116.0	73.0	DHY00107
BKF165 S	43.3	5/8"	116.0	73.0	DHY00109



5

CORE FILTER DRIER

MODEL NUMBER	PART DESCRIPTION	PACKAGING QUANTITY	ORDERING NUMBER
VS32S	Filter aspiration	1	COR0004E
RH 48	Filter drier	1	COR00049
CCY 48HP	Filter drier	1	COR0009E
N/W48 DA	Filter drier compressor burn out	1	COR00020



FILTER DRIERS

CORE DRIER FILTER FOR HFC

MODEL NUMBER	PART DESCRIPTION	FUNCTION	ORDERING NUMBER
S48	Core drier filter	HFC	COR0008E



OIL AND REFRIGERANT FILTERS FOR TRANE UNITS

OIL FILTERS

PART DESCRIPTION	USED ON (1)	COMPRESSOR TYPE	GASKET (2)	ORDERING NUMBER
Filter element	RTAA-RTAB-RTWA-RTUA-RTRA	CHHB	Included	ELM01042
Filter element 6"	RTAA-RTAB-RTWA-RTUA-RTRA	CHHB	RNG0201E	ELM0016E
Filter element	RTHA-RTHB	CHHA	RNG01410	FLR00779
Filter element 8"	RTHC (From design B)	CHHC	RNG0201E	ELM0017E
Filter element	RTHC (Design A)	CHHC	Included	ELM01405
Filter element	Air/water cooled centrifugal units	Centrifugal compressor	Included	ELM0015E
Oil filter	RTAA-RTAB-RTRA	GP1	GKT03826	FLR01353
Oil Filter	RTAC-RTAD-RTWB-RTUB	GP2	GKT03852+RNG01697	FLR03434
Oil filter 5/8	RTHD	-	RNG0201E	FLR0279E

(1) List is not exhaustive.

(2) See filter gaskets table.



OIL AND REFRIGERANT FILTERS FOR TRANE UNITS

REFRIGERANT FILTERS

UNIT TYPE	UNIT SIZE	GASKET	ORDERING NUMBER
RTHA	130-150-180-215	RNG01410	FLR00779
RTHA	255-300	RNG01157	FLR03018
RTHA	380-450	RNG01230	FLR00952
RTHB	130-150	RNG01157	FLR03018
RTHB	180-215	RNG01157	FLR03018
RTHB	255-300	RNG01157	FLR03018
RTHB	380-450	RNG01230	FLR00952
RTAC	All	Included	KIT07614

(1) See filter gaskets table.



FILTER GASKETS

PART DESCRIPTION	USED ON	ORDERING NUMBER
O'ring	ELM0016E-ELM0017E	RNG0201E
O'ring	FLR00779	RNG01410
Cover	FLR03434	GKT03852
O'ring	ELM0018E	RNG01157
O'ring	ELM01042	RNG01248
O'ring	ELM01042	RNG02146
Cover	FLR01353	GKT03826
O'ring	FLR03434	RNG01697
O'ring	FLR03434	RNG0208E



PRODUCT FOCUS



Oil analysis

Predictive maintenance



<http://www.youtube.com/watch?v=KoGNBbnMWqs>

Keep your compressor working longer

High oil quality ensures the longest possible lifecycle for the compressor. Regular oil analysis helps reduce the risk of premature damage and can cut the cost and frequency of oil changes.

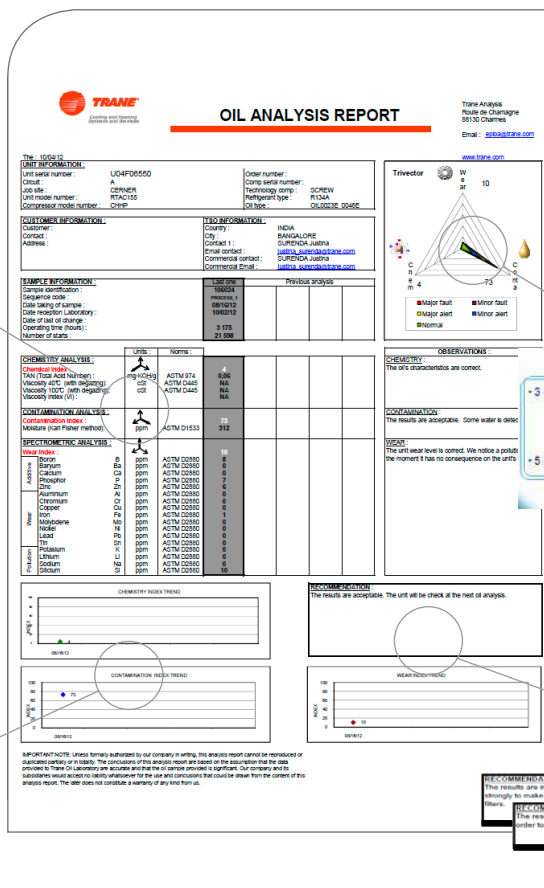
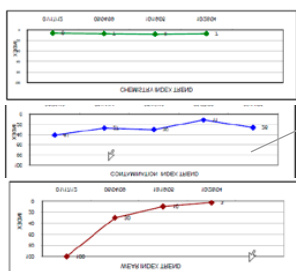
Trane oil analysis: more than a chemical report: includes OEM expertise and recommendations

- Available for all compressor technologies and brands
- Available for any HVAC oil
- Provides fast results (within 5 working days)
- Includes comments and corrective recommendations
- Includes comparisons with previous analyses, enabling tracking of oil change evolution

CHEMISTRY RESULTS

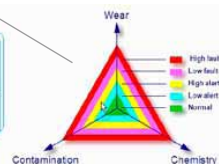
	Units	Norms	TT	
CHEMISTRY ANALYSIS:				
Chemical Index:				
TAN (Total Acid Number):	mg KOH/g	ASTM 974	0.48	
Viscosity 40°C (with degassing):	cSt	ASTM D445	67.3	
Viscosity 100°C (with degassing):	cSt	ASTM D445	NA	
Viscosity index (VI):		NA	NA	
CONTAMINATION INDEX:				
Moisture (Karl Fischer method):				
	ppm	ASTM D1533	136	
SPECTROMETRIC ANALYSIS:				
Wear Index:				
Boron	B	ppm	ASTM D2080	0
Barium	Ba	ppm	ASTM D2080	0
Calcium	Ca	ppm	ASTM D2080	0
Phosphorus	P	ppm	ASTM D2080	0
Zinc	Zn	ppm	ASTM D2080	46

HISTORY EVOLUTION OF OIL CHARACTERISTICS



QUICK VIEW OF ANALYSIS RESULTS

- 3 directions:
- 1 - Chemistry
- 2 - Wear
- 3 - Contamination
- 5 escalation levels



OEM RECOMMENDATION

- RECOMMENDATION:** The results are incorrect. In order to localize a possible damage, we recommend enough to make a Trane laboratory analysis. We recommend you to change oil and filter.
- RECOMMENDATION:** The results are acceptable. We recommend you to do a resample in 500 hours in order to check the contamination.
- RECOMMENDATION:** The results are acceptable. The unit will be checked at the next analysis.
- RECOMMENDATION:** The results are excellent. The new sample confirms the previous results. We recommend you to change oil and filters.

OIL ANALYSIS AND ACID TESTS

OIL ANALYSIS

EUROPE:

OIL ANALYSIS TYPE	ORDERING NUMBER (2)
Complete oil analysis and viscosity (wear metals, acid and moisture tests plus comments) (1)	ANL0006E
Kit for 1 compressor oil analysis	ANL0008E

MIDDLE EAST/INDIA/AFRICA:

OIL ANALYSIS TYPE	ORDERING NUMBER
Bottle 125ML oil analysis with label for sampling	BOT0018E
Complete oil analysis and viscosity (wear metals, acid and moisture tests plus comments)	ANL0009E
Complete oil analysis without viscosity (wear metals, acid and moisture tests plus comments)	ANL0010E

(1) Kit of 2 Oil Analysis.

(2) The kit contains a pair of gloves and a box for samples' shipment to Trane oil laboratory.



OIL ACID TESTS

TYPE	PART DESCRIPTION	ORDERING NUMBER
TESTOIL-MP	Kit acidity test universal-POE/Mineral/Akylbenzen	KIT1345E



OILS

The compressor is the heart of the HVAC system. Trane compressors have been designed to provide the highest reliability and efficiency. They are manufactured to very precise tolerances. Oil management is one of the keys to guaranteeing an extended compressor life.

Oil's function is not only lubrication. Many other parameters should be controlled. Viscosity is critical to make sure the oil film will resist high temperatures and oil dilution due to the presence of refrigerant.

Anti wear additives will help prevent compressor failure. Oil chemistry is critical in managing refrigeration applications and in ensuring proper circulation and oil return to the compressor.

Trane oils fully integrate all these parameters and have been specifically designed and manufactured to protect Trane compressors, thus they are an essential part of their successful operation.

ORIGINAL QUALITY OILS

TYPE	REFRIGERANT	CAN OIL CONTENT (LITERS)	NUMBER OF CANS	ORDERING NUMBER
Semi-synthetic	R22	2.0	1	OIL0014E
Semi-synthetic	R22	10.0	1	OIL0027E
Semi-synthetic	R22	10.0	1	OIL0025E
Synthetic	R500	25.0	1	OIL0050E
Ester	R134a/R407C	18.75	1	OIL0020E
Ester	R134a/R407C	3.75	1	OIL0021E
Ester	R134a /R407C	18.75	1	OIL0023E
Ester	R134a/R407C	3.75	1	OIL0048E
Duo seal	Purge unit	4.7	1	OIL00003
Minérale with additive	R22	5.0	1	OIL0059E
Ester with additive	R134a/R407C	3.75	1	OIL0057E
Ester with additive	R134a/R407C	18.75	1	OIL0058E
Polyol ester synthetic	R22/R407C/R134a	5.0	1	OIL0062E
Polyol ester synthetic	R22/R407C/R134a	20.0	1	OIL0060E
Mineral 68-CVHE/F-CVHG- CDHF-CDHG	R123/R11	9.5	1	OIL00022

Note: an in-depth oil analysis including wear components/viscosity is available. Please contact your local Trane Service Office.



OILS

Selection of Trane oils for centrifugal and screw compressors

	UNITS	OIL CONTENT (LITERS)	REFRIGERANT	
			R134A	R22
CVGD	023-045	42		
	050-080	55		
CVGE	023-045	42		
	050-080	55		
CVGF	400-1000	57		
CVAD	013-032	42		
	130-150	17.5		
RTHA	180	21		
	215	22.5		
	255	32.5		
	300-380	35		
	450	37.5		
RTAA	213	2x15		
	214-215	2x17		
	126	17+20		
	217	2x20		
	322	17+30		
	324	20+34		
	328	40+20		
	430	2x34		
	432	40+34		
434	2x40	OIL0021E and/or OIL0020E	OIL0025E	
RTRA	107	8		
	108-110	16		
RTWA	108-110	14		
	207-212	2x8		
	213-217	2x14		
RTAB	108-110	16		
	207-212	2x8		
	213	2x15		
	214	15+17		
	215	2x17		
	216	17+20		
	217	2x20		
220	2x16			
RTUA	108-110	14		
	207-212	2x8		
	213-217	2 X14		
RTHB	130-150	19		
	180-215	24		
	255-300	37.5		
	380-450	40		

OILS

Selection of Trane oils for hermetic and semi-hermetic compressors

REFRIGERANT		R22		R134A-R407C
INLET TEMPERATURE				
COMPRESSOR TYPE	OIL CONTENT (LITERS)	T<-30°C	T>-30°C	-30°C<T<+105°C
F8	10			
E4	15			
E5-E6	16	OIL0027E	OIL0025E	
E8	17			
R40	9.5		OIL0027E	
R50				OIL0020E and/or OIL0021E
R60	13	EXCEPT: CXAA, CXAD, CXAC: OIL0018E (MANDATORY)		
M3-M4	5.2		OIL0027E	
M5-M6	6.2			
CRHZ 150	4		OIL0027E	
CRHZ 200-250	4.5			
CRHZ 300-400	4.75	EXCEPT: CXAA, CXAD, CXAC: OIL0018E (MANDATORY)		
CSHA/N 100	3.8			
CSHA/N 150	6.6	OIL0025E and/or OIL0059E		OIL0057E and/or OIL0058E
CSHS			OIL0025E	OIL0020E/OIL0021E
MT		OIL0014E and/or OIL0059E		
MTZ				OIL0049E
SM		OIL0014E and/or OIL0059E		
SZ				OIL0057E and/or OIL0058E
15, 20, 25 and 30T Copeland			OIL0060E and/or OIL0062E	

Selection of Trane oils for machines with screw compressors

UNITS		OIL CONTENT (LITERS)	R134A REFRIGERANT
RTHC B1	1A 1A	27	
	1B 1C		
RTHC B2	1B 1B	27	
	1C 1D		
RTHC C1	3A 2A	33	
	3C 2B		
RTHC C1	2A 2A	31	
	3B 2B	33	
	3D 2E		OIL0023E and/or OIL0048E
RTHC C1	2A 2B	28	
	4A 2D	31	
	5A 3B	38	
	7A 5B	34	
	2C 2B	28	
RTHC D2	4B 2F	31	
RTHC D3	53C B	38	
	7C 5B	34	

OILS

	UNITS	OIL CONTENT (LITERS)	R134A REFRIGERANT
RTHC E3	6C 4B	43	
	6A 4A		
	8B 6B		
	8A 6A		
RTAC	120-170	2x7.6	
	185	7.6+9.9	
	200	2x9.9	
	250-275	17+10	
	300	19+10	
	350	17+17	
	375	19+17	
	400	19+19	
RTAD	85	10	
	100	12	
	115	16	
	125-150	18	
	165	21	
RTHD B1	B1B1	17	OIL0023E and/or OIL0048E
	C1D1		
RTHD B2	B1B1	17	
	C1D1		
RTHD C1	D6E5	23	
	D5E4		
RTHD C2	D3E3	23	
	D6E5		
	D5E4		
RTHD D1	E1F1	38	
	D4E4		
RTHD D2	G1G1	23	
	D1E1		
	F1F2		
RTHD D3	G2G1	42	
	D1E1		
	F1F2		
RTHD E3	G2G2	42	
	D2E2		
	F2F3		
CGAM/CXAM	G3G3	23	
	20-23-26		6.6
	30-35-39-45-50		13.4
	40-46-52		2x6,6
	60-70-80-90-100		2x13,4
	110		2x13,9
	120		2x14,4
RTWD	140-150	2x20,1	OIL0023E and/or OIL0048E
	170	2x21,1	
	60-70-80-90	2x6,8	
	100-110-120	6,8/9,9	
	130-140	2x9,9	
	220-250	2x11,7	

HVAC MAINTENANCE, CLEANERS AND TREATMENTS

CLEANER

PART DESCRIPTION	SPECIFICATION	CONTENT	ORDERING NUMBER
Indoor and Outdoor Coil Cleaner	Bacteriostatic, Fungicidal	2X 5L	CHM0007E



DECONTAMINANT

PART DESCRIPTION	SPECIFICATION	CONTENT	ORDERING NUMBER
Decontaminant for Refrigeration and A/C Systems	Bactericidal, Fungicidal, Anti-Legionella	5L	CHM0008E
Pan strips for drain pan	Bactericidal, Fungicidal	12 pcs	CHM0005E



LEAK DETECTOR

PART DESCRIPTION	SPECIFICATION	CONTENT	ORDERING NUMBER
Leak Detector	Compatible with every refrigerants and ammonia	50cl	CHM0010E



CALORIE DISCHARGER

PART DESCRIPTION	SPECIFICATION	CONTENT	ORDERING NUMBER
Calories Discharger	Protection of heat-sensitive equipment (brazed parts, welded)	60cl	CHM0009E



MAINTENANCE ACCESSORIES

DESCRIPTION	ORDERING NUMBER
Metallic comb plastic for 8-9-10-12-14-15 fins	FIN0012E
Black epoxy paint-can of 1 kg	PAI0003E
Paint RAL1019-Aerosol can of 150 ml-type 80BR31	PNT0008E

THROWAWAY FILTERS

CMJ/A150/AR150

TYPE	DIMENSIONS (MM) WIDTHXHEIGHTXLENGTH	ORDERING NUMBER
CMJ	025X310X500	FLR0095E
CMJ	025X310X625	FLR0096E
CMJ	025X355X725	FLR0099E
CMJ	025X375X375	FLR0089E
CMJ	025X375X500	FLR0085E
CMJ	025X 400X500	FLR0088E
CMJ	025X400X625	FLR0087E
CMJ	025X500X500	FLR0078E
CMJ	025X500X625	FLR0086E
CMJ	025X540X725	FLR0100E
CMJ	025X580X500	FLR0101E
AR 150	050X400X500	FLR0048E
A 150	050X400X625	FLR0002E
A 150	050X500X500	FLR0003E
A 150	050X500X 625	FLR0004E

Efficiency: 84 %-Class: G3-Media: Synthetic-Frame: Metallic-Classification: M1 CSTB.

WASHABLE FILTERS

N1 N25/PG50

TYPE	DIMENSIONS (MM) WIDTHXHEIGHTXLENGTH	ORDERING NUMBER
N1 N25	025X375X375	FLR0047E
N1 N25	025X380X508	FLR0046E
N1 N25	025X400X500	FLR0043E
N1 N25	025X400X625	FLR0044E
N1 N25	025X440X500	FLR0182E
N1 N25	025X500X625	FLR0045E
N1 N25	025X560 X700	FLR0152E
N1 N25	025X595X620	FLR0151E
N1 N25	025X810X765	FLR0196E
N1 N25	025X625X700	FLR0153E
PG50	050X287X592	FLR0104E
PG50	050X287X879	FLR0105E
PG50	050X592X592	FLR0103E

Efficiency: 84 %-Class: G3-Media: Synthetic-Frame: Metallic-Classification: M1 CSTB.

BAG FILTERS

BAG FILTERS

DIMENSIONS (MM) HEIGHTXLENGTH	EFFICIENCY %	BAG NUMBER	ORDERING NUMBER
592X287	F65	4	FLR0199E
592X287	F85	4	FLR0203E
592X287	F95	4	FLR0207E
592X592	F65	8	FLR0200E
592X592	F85	8	FLR0204E
592X592	F95	8	FLR0208E
892X287	F65	4	FLR0201E
892X287	F85	4	FLR0205E
892X287	F95	4	FLR0209E
892X592	F65	8	FLR0202E
892X592	F85	8	FLR0206E
892X592	F95	8	FLR0210E

Type: DRY-PAK, Bag depth: 533-Media: Fiber glass-Frame wide (mm): 25-Classification: M1 CSTB.



FAN COIL FILTERS

FCK/FCC/FVC/FVK/FLC/FLK/FHK/FSC/FSK/FHS/HFO UNITS

PART DESCRIPTION	FAN COIL SIZE	ORDERING NUMBER
Permanent filter	01-02	FLR0138E
Permanent filter	03	FLR0139E
Permanent filter	04	FLR0140E
Permanent filter	06	FLR0141E
Permanent filter	08	FLR0142E
Permanent filter	10	FLR0143E
Permanent filter	11	FLR0144E
Permanent filter	12	FLR0145E
Permanent filter	14-15	FLR0146E
Permanent filter	16-20	FLR0147E

Type: T200-Serie F.E-Classification M1-Efficacy 76.6%-Armouring wire galvanized Dia 4mm-Material: polyester-1 spacer.



FCD UNITS

DIMENSIONS	FAN COIL SIZE	ORDERING NUMBER
0216X0793 TH 8mm	03	FLR0359E
0216X1093 TH 8mm	05	FLR0360E
0216X1393 TH 8mm	06	FLR0361E
0258X1393 TH 8mm	07	FLR0362E
0216X0413 TH 8mm	01	FLR0363E
0216X0563 TH 8mm	02	FLR0364E
0216X0943 TH 8mm	04	FLR0365E

FAN COIL FILTERS

FCU/FEU UNITS

DIMENSIONS	ORDERING NUMBER
0216X0612 TH 8mm	FLR0437E

FED UNITS

DIMENSIONS	FAN COIL SIZE	ORDERING NUMBER
0216X0793 TH 8mm	03	FLR0359E
0216X0413 TH 8mm	01	FLR0363E
0216X0563 TH 8mm	02	FLR0364E
0216X0943 TH 8mm	04	FLR0365E

BRACKET FILTER

PART DESCRIPTION	FAN COIL SIZE	ORDERING NUMBER
Bracket filter	All	BRK0081E



SPLIT SYSTEMS FILTERS

DUCTABLE UNIT: FWD

FAN COIL SIZE	FILTER	QUANTITY	ORDERING NUMBER
08	EU2	2	FLR0243E
10	EU2	2	FLR0244E
12	EU2	2	FLR0244E
14	EU2	2	FLR0245E
20	EU2	2	FLR0245E
30	EU2	2	FLR0246E
45	EU2	2	FLR0278E
10	Option: EU4	2	FLR0239E
12	Option: EU4	2	FLR0239E
14	Option: EU4	2	FLR0240E
20	Option: EU4	2	FLR0240E
30	Option: EU4	2	FLR0241E
45	Option: EU4	2	FLR0277E

Type: T200-Serie F.E-Classe M1-Efficiency 81%-Armature galvanized wire 4mm-Material: polyester.



DUCTABLE UNIT: MWD

FAN COIL SIZE	FILTER	QUANTITY	ORDERING NUMBER
524	EU2	2	FLR0243E
530-536	EU2	2	FLR0244E
530-536	Option: EU4	2	FLR0239E
48-60	EU2	2	FLR0245E
48-60	Option: EU4	2	FLR0240E

Type: T200-Serie F.E-Classe M1-Efficiency 81%-Armature galvanized wire 4mm-Material: polyester.

SPLIT SYSTEMS FILTERS

DUCTABLE UNIT: HWD

FAN COIL SIZE	QUANTITY	ORDERING NUMBER
531-540	1	FLR0193E
509-511-513-515-518	1	FLR0195E
24-30	1	FLR0194E
31-40	1	FLR0193E
50	1	FLR0192E
60	1	FLR0191E

Type: T200-Serie F.E-Classe M1-Efficiency 76.6%-
Armature galvanized wire 4mm-Material: polyester-2 spacers.



CASSETTE

UNIT TYPE	SIZE	ORDERING NUMBER
CAS	518	FLR0215E
CAS	524	FLR0215E
CAS	530	FLR0215E
CAS	536	FLR0215E
CAS	48	FLR0215E
CWS	409	FLR0215E
CWS	430	FLR0215E
CWS	450	FLR0215E
CWS 600	25	FLR0326E
CWS 600	45	FLR0326E
CWS 600	65	FLR0326E
CAS	524 à 048	KIT0521E
CWS	430 à 450	KIT0521E
CAS	518	KIT0565E
CWS	409	KIT0565E
CWS	600/25-45-65	ASS0155E
CWS	600/25-45-65	MOT0977E
CWS	600	GRL0023E
CWS	600/25-45-65	ASS0161E
CWS	600/25-45-65	FAN0316E
CWS	875/95-135-155	ASS0166E
CWS	875/95-135-155	MOT0978E
CWS	875/95-135-155	COL0308E
CWS	875/95-135-155	FAN0313E



SPLIT SYSTEMS FILTERS

VFS/VFX

BLOWER SIZE	QUANTITY	ORDERING NUMBER
404-405-408-411	2	FLR0148E

Type: Classe M1-Material: polypropylene and nylon.



MCW/MWW/MWX

BLOWER TYPE	SIZE	QUANTITY	ORDERING NUMBER
MCW	30-36	4	FLR0090E
MWW	30	4	FLR0090E
MWW	518-524	2	FLR01880
MWX	518	1	FLR01398
MWX	518-524	1	FLR01399
MWX	518-524	1	FLR01400
MWX	524	1	FLR01401



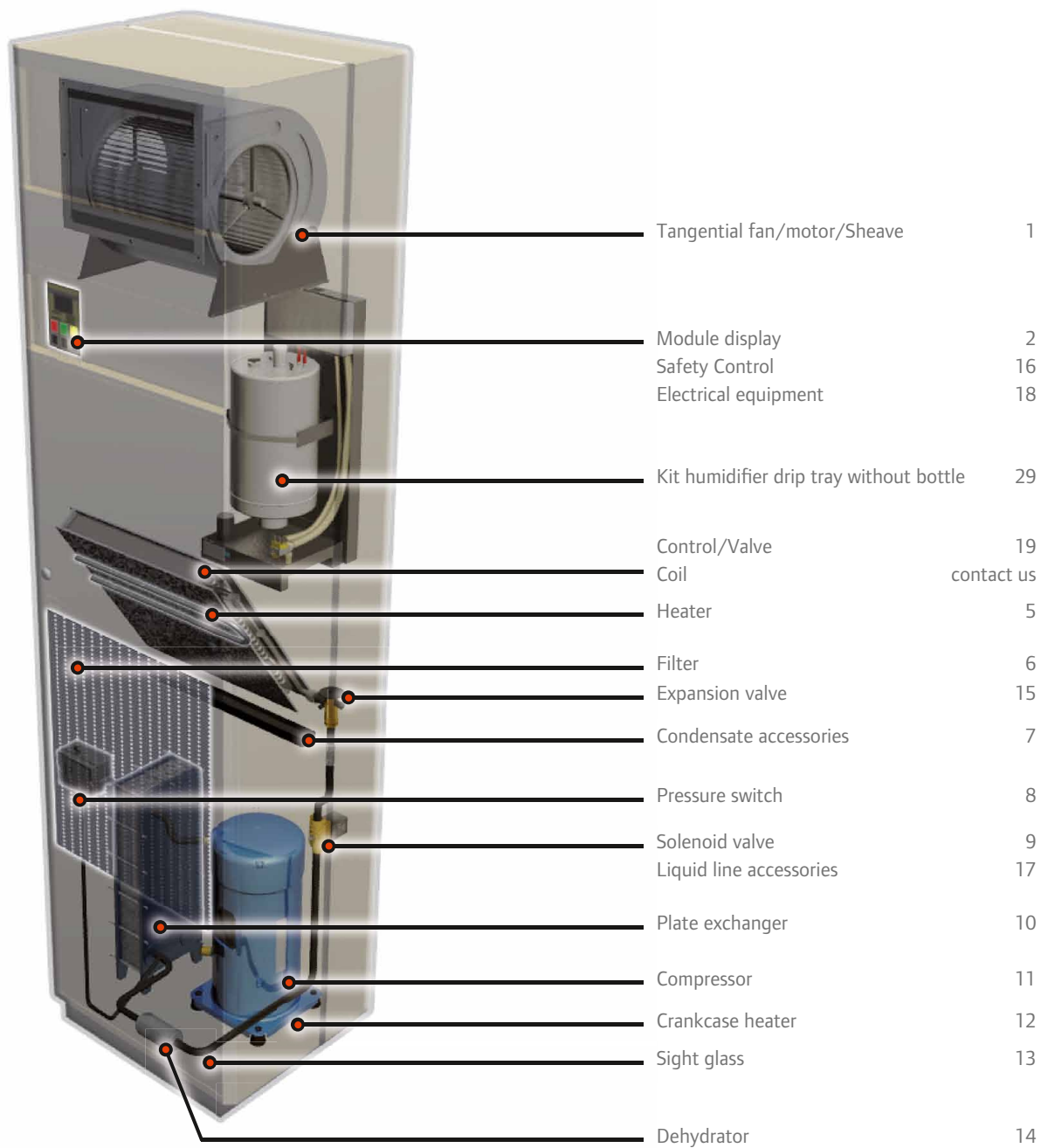
ROOFTOP AIR FILTERS

A300 AIR FILTER-N1 SERIE

TYPE	DIMENSIONS (MM)	ORDERING NUMBER
A 300	044X0398X0498	FLR0216E
A 300	040X0498X0498	FLR0217E
A 300	050X0500X0625	FLR0218E
A 300	050X0400X0625	FLR0219E
A 300	025X0400X0625	FLR0220E

Type: A300-Série N1-Classification M1 CSTB-Efficacy 94% (EU4)-Polyester.

PRODUCT VIEW-JUPITER/MERCURY



MERCURY

ITEM	ORDERING NB	DESCRIPTION	E-----0010A	E-----0013A	E-----0014A	E-----0018A	E-----0024A	E-----0026A	E-----1105A	E-----1106A	E-----1107A	E-----1108A	E-----1113A	E-----1114A	E-----2207A	E-----2208A	E-----2213A	E-----2214A	E-----2216A	E-----2217A	E-----2218A	E-----4216A	E-----4217A	E-----4218A
1	MOT0939E	MOTOR 4.0KW				1																		
1	MOT0940E	MOTOR 3.0KW		1	1																			
1	MOT0941E	MOTOR 2.2KW	1																					
1	MOT1078E	MOTOR 5.5KW					1	1																
1	SHE0309E	SHEAVE MAGIC LOCK-SPA 090-2 GROOVE-WITHOUT BUSHING		1	1	1																		
1	SHE0426E	SHEAVE TAPER-LOCK-SPA DP 090 - 1 GROOVE-DELIVERY WITHOUT BUSHING	1																					
1	SHE0428E	SHEAVE TAPER-LOCK-SPA DP 090-3 GROOVES-DELIVERY WITHOUT BUSHING					1	1																
1	SHE0427E	SHEAVE TAPER-LOCK-SPA DP 125-1 GROOVE-DELIVERY WITHOUT BUSHING	1																					
1	SHE0351E	SHEAVE TAPER-LOCK-SPA DP 125-2 GROOVE-DELIVERY WITHOUT BUSHING		1	1	1																		
1	SHE0429E	SHEAVE TAPER-LOCK-SPA DP 125-3 GROOVES-DELIVERY WITHOUT BUSHING					1	1																
1	FAN0279E	CENTRIFUGAL FAN TYPE: AT 12/12	1																					
1	FAN0281E	CENTRIFUGAL FAN DD12/12-1100W							1	1		2	2		2	2	3	3	3	3	3	3	3	3
1	FAN0368E	CENTRIFUGAL FAN DD12/9									2	2		2	2									
1	FAN0369E	RADIAL FAN-TYPE: RH56N-400/50/3	1	2	2	2	3	3	1	1	2	2	2	2	2	2	2	2	3	3	3	3	3	3
1	FAN0277E	CENTRIFUGAL DOUBLE FAN-TYPE: AT 12/9 G2L				1																		
1	FAN0278E	CENTRIFUGAL DOUBLE FAN-TYPE: AT 12/12 G2L		1	1																			
1	FAN0275E	CENTRIFUGAL TRIPLE FAN-TYPE: AT 12/12					1	1																
2	MOD0181E	LCD MODULE DISPLAY	1	1	1	1	1	1	1	1	1	1	1	1	1	1	1	1	1	1	1	1	1	1
5	ELM0023E	REHEAT ELEMENT 2-1KW-660MM	3	3	3	5	5	5	3	3	3	3	5	5	3	3	5	5	5	5	5	5	5	5
6	FLR0366E	FILTER EU4	3																					
6	FLR0367E	FILTER EU4		5	5																			
6	FLR0368E	FILTER EU4				3																		
6	FLR0369E	FILTER EU4					5	5																
6	FLR0370E	FILTER EU4 SPECIAL 855 X 295 X 100mm							3	3														
6	FLR0371E	FILTER EU4 SPECIAL 855 X 310 X 100mm							3	3														
6	FLR0372E	FILTER EU4 SPECIAL 855 X 265 X 100mm								5	5			5	5									
6	FLR0373E	FILTER EU4 SPECIAL 855 X 255 X 100mm								5	5			5	5									
6	FLR0374E	FILTER EU4 SPECIAL 855 X 510 X 100mm									3	3			3	3								
6	FLR0375E	FILTRE AIR SPECIAL 855 X 525 X 100mm									3	3			3	3								
6	FLR0376E	FILTER EU4 SPECIAL 855 X 455 X 100mm															5	5	5	5	5	5	5	5
6	FLR0377E	FILTER EU4 SPECIAL 855 X 435 X 100mm															5	5	5	5	5	5	5	5
7	PMP0140E	CONDENSATE DRAIN PUMP ECONOMY	1	1	1	1	1	1	1	1	1	1	1	1	1	1	1	1	1	1	1	1	1	1
8	CNT0216E	LOW PRESSURE SWITCH							1	1	1	1	1	1	2	2	2	2	2	2	2	2	2	2
8	CNT0224E	HIGH PRESSURE SWITCH TYPE: G63P50							1	1	1	1	1	1	2	2	2	2	2	2	2	2	2	2
8	CNT0307E	HIGH PRESSURE SWITCH-G63P5100							1	1	1	1	1	1	2	2	2	2	2	2	2	2	2	2
8	HSE0050E	FLEXIBLE PIPE DI 1.2 mm/DE 5.9 mm							1	1	1	1	1	1	2	2	2	2	2	2	2	2	2	2
8	CNT0186E	AIR DIFFERENTIAL PRESSURE CONTROL	2	2	2	2	2	2	2	2	2	2	2	2	2	2	2	2	2	2	2	2	2	2
9	VAL0598E	SOLENOID VALVE							1	1	1	1	1	1	1	1	1	1	1	1	1	1	1	1
10	CDS0739E	CONDENSER PLATE													2									
10	CDS0740E	CONDENSER PLATE														2	2							
10	CDS0741E	CONDENSER PLATE							1	1							2							
10	CDS0742E	CONDENSER PLATE									1	1						2	2		2	2		
10	CDS0743E	CONDENSER PLATE										1								2		2		2
10	CDS0744E	CONDENSER PLATE											1											
10	CDS0739E	CONDENSER PLATE													2									
10	CDS0740E	CONDENSER PLATE														2	2							
10	CDS0741E	CONDENSER PLATE							1	1							2							
10	CDS0742E	CONDENSER PLATE									1	1							2	2		2	2	
10	CDS0743E	CONDENSER PLATE											1								2			2
10	CDS0744E	CONDENSER PLATE												1										

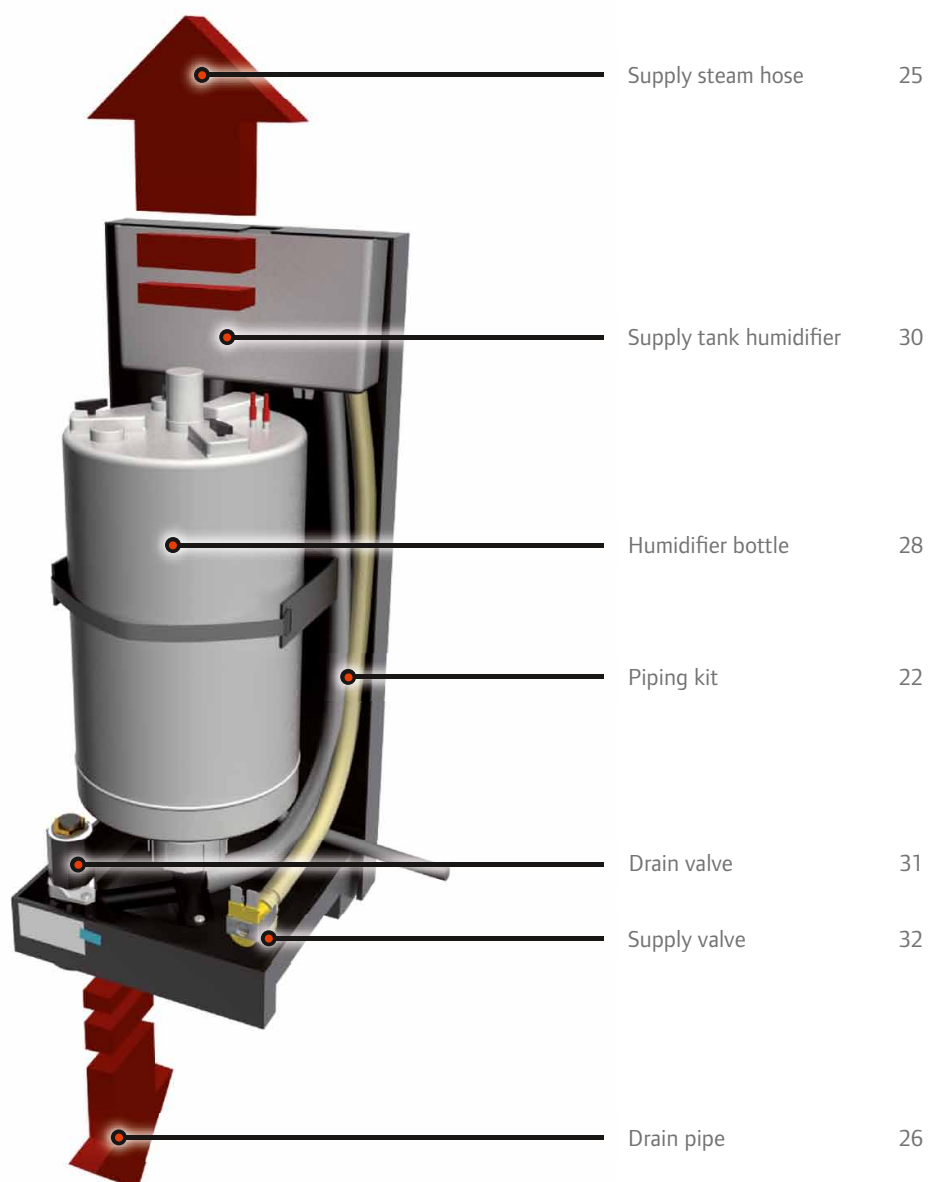
MERCURY

ITEM	ORDERING NB	DESCRIPTION	E-----0010A	E-----0013A	E-----0014A	E-----0018A	E-----0024A	E-----0036A	E-----1105A	E-----1106A	E-----1107A	E-----1108A	E-----1113A	E-----1114A	E-----2207A	E-----2208A	E-----2213A	E-----2214A	E-----2216A	E-----2217A	E-----2218A	E-----4216A	E-----4217A	E-----4218A	
11	COM0705E	COMPRESSOR SZ090 SCROLL							1	1										2					
11	COM0618E	COMPRESSOR SZ161 SCROLL										1									2				
11	COM0620E	COMPRESSOR SZ120 SCROLL											1												
11	COM0651E	COMPRESSEUR ZR72KCE-TFD-522 SCROLL																2							
11	COM0650E	COMPRESSEUR ZR61KCE TFD SCROLL													2	2									
11	COM0791E	COMPRESSEUR SZ084-4 SCROLL						1																	
11	COM0793E	COMPRESSEUR SZ110-4 SCROLL										1									2				
11	COM0796E	COMPRESSEUR ZR48K3E-TFD-522 SCROLL														2									
11	COM0798E	COMPRESSEUR ZRT096-K3E SCROLL																				2			
11	COM0799E	COMPRESSEUR ZRT144-K3E SCROLL																						2	
11	COM0800E	COMPRESSEUR ZRT122-K3E SCROLL																						2	
12	HTR0122E	CRANKCASE HEATER													2	2	2	2				4	4	4	
12	HTR0213E	CRANKCASE HEATER						1	1	1	1	1	1						2	2	2				
13	GLS0047E	SIGHT GLASS						1	1	1	1	1	1	1	2	2	2	2	2	2	2	2	2	2	2
14	DHY0038E	DEHYDRATOR						1	1	1	1	1	1	1	2	2	2	2	2	2	2	2	2	2	2
15	VAL0891E	EXPANSION VALVE TYPE TX3													2	2									
15	VAL0892E	EXPANSION VALVE TYPE TX6						1	1							2	2								
15	VAL0893E	EXPANSION VALVE TYPE TX6								1	1								2	2	2	2	2	2	
15	VAL0894E	EXPANSION VALVE TYPE TX6										1	1												
16	SEN0082E	TEMPERATURE+HUMIDITY SENSOR	1	1	1	1	1	1	1	1	1	1	1	1	1	1	1	1	1	1	1	1	1	1	
16	CAB0036E	CONNECTION CARD RS485 (IMPERATIVE SERIAL NUMBER FOR ORDER)						1	1	1	1	1	1	1	1	1	1	1	1	1	1	1	1	1	
16	BRD0119E	CONTROL BOARD MP20 HUMIDIFIER	1	1	1	1	1	1	1	1	1	1	1	1	1	1	1	1	1	1	1	1	1	1	
16	BRD0123E	CONTROL CARD PCO1-MEDIUM (IMPERATIVE SERIAL NUMBER FOR ORDER)	1	1	1	1	1	1	1	1	1	1	1	1	1	1	1	1	1	1	1	1	1	1	
16	BRD0120E	CONTROL CARD ON/OFF FAN						1	1	1	1	1	1	1	1	1	1	1	1	1	1	1	1	1	
16	BRD0121E	CLOCK BOARD POC1	1	1	1	1	1	1	1	1	1	1	1	1	1	1	1	1	1	1	1	1	1	1	
16	CNT0310E	FIRE DETECTOR	1	1	1	1	1	1	1	1	1	1	1	1	1	1	1	1	1	1	1	1	1	1	
16	CNT0311E	SMOKE DETECTOR	1	1	1	1	1	1	1	1	1	1	1	1	1	1	1	1	1	1	1	1	1	1	
16	SEN0076E	TEMPERATURE SENSOR	1	1	1	1	1	1	1	1	1	1	1	1	1	1	1	1	1	1	1	1	1	1	
16	SEN0072E	SENSOR WATER DETECTOR	1	1	1	1	1	1	1	1	1	1	1	1	1	1	1	1	1	1	1	1	1	1	
16	SEN0123E	FLOODING DETECTOR FSD	1	1	1	1	1	1	1	1	1	1	1	1	1	1	1	1	1	1	1	1	1	1	
16	SEN0124E	WATER TEMPERATURE SENSOR						1	1	1	1	1	1	1	1	1	1	1	1	1	1	1	1	1	
16	VAL0584E	MANUAL SAFETY THERMOSTAT	1	1	1	1	1	1	1	1	1	1	1	1	1	1	1	1	1	1	1	1	1	1	
17	VAL0887E	SAFETY VALVE						1	1	1	1	1	1	1	2	2	2	2	2	2	2	2	2	2	
17	VAL0616E	VALVE REGULATION OF PRESSION CONDENSER-TYPE HP8-TS						1	1	1	1	1	1	1	2	2	2	2	2	2	2	2	2	2	
18	TDR0010E	CURRENT TRANSFORMER - « TAM universel »	1	1	1	1	1	1	1	1	1	1	1	1	1	1	1	1	1	1	1	1	1	1	
18	TRR0204E	AUTOTRANSFORMER 3KVA -3 PHASE	1					1	1	1	1	1	1	1	1	1	1								
18	TRR0205E	AUTOTRANSFORMER 6KVA-3 PHASE	1	1	1					1	1	1	1	1	1	1	1	1	1	1	1	1	1	1	
18	TRR0206E	AUTOTRANSFORMER 9KVA-3 PHASE					1	1											1	1	1	1	1	1	
19	VAL0599E	MOTOR VALVE 0-10V	1	1	1	1	1	1	1	1	1	1	1	1	1	1	1	1	1	1	1	1	1	1	
19	VAL0615E	3 WAYS VALVE-DIA 1"						1	1	1	1	1	1	1	1	1	1	1	1	1	1	1	1	1	
19	VAL0597E	3 WAYS VALVE 1" 1/4 KVS 16	1	1	1	1	1			1	1	1	1	1	1	1	1								
19	VAL0595E	3 WAYS VALVE 1" 1/2 KVS 2		1	1	1													1	1	1	1	1	1	
19	VAL0883E	3 WAYS VALVE KVS 4.0					1	1																	
25	TUB0138E	SUPPLY STEAM HOSE DIA 30 mm	1	1	1	1	1	1	1	1	1	1	1	1	1	1	1	1	1	1	1	1	1	1	
26	HSE0054E	SUPPLY STEAM HOSE	2	1	1	1	4	4	2	2	2	2	3	3	2	2	3	3	4	4	4	4	4	4	
28	BOT0012E	HUMIDIFIER BOTTLE	1	1	1	1	1	1	1	1	1	1	1	1	1	1	1	1	1	1	1	1	1	1	
29	KIT1333E	KIT HUMIDIFIER DRIP TRAY	1	1	1	1	1	1	1	1	1	1	1	1	1	1	1	1	1	1	1	1	1	1	

JUPITER

ITEM	ORDERING NB	DESCRIPTION	J.....0115B	J.....0125B	J.....0133A	J.....0135A	J.....0150A	J.....0160A	J.....020B	J.....0025B	J.....0030B	J.....0040B	J.....0060A	J.....0060B
1	FAN0286E	FAN DD9/7-147W-6 POLE-230/50/1	1	1		2			1			2		
1	FAN0285E	FAN DD9/9-147W-4 POLE-230/50/1			1					1	1			
1	FAN0284E	FAN DD 9/9-300W-230/50/1					2	2					2	2
2	MOD0181E	LCD MODULE DISPLAY	1	1	1	1	1	1	1	1	1	1	1	1
5	ELM0022E	HEATING ELEMENT 1300+700W-480MM	1	1										
5	HTR0115E	HEATING ELEMENT 1300+700 W-230V			1									
5	HTR0109E	HEATING ELEMENT 2000+1000 W				1	2	2						
6	FLR0291E	FILTER EU2	1	1					1					
6	FLR0290E	FILTER EU2			1					1				
6	FLR0289E	FILTER EU2				1					1	1		
6	FLR0288E	FILTER EU2					1	1					1	1
6	SDA0013E	FILTER EU4	1	1				1						
6	SDA0014E	FILTRE A AIRE EU4			1					1				
6	SDA0015E	FILTER EU4				1					1	1		
6	SDA0016E	FILTER EU4					1	1					1	1
8	CNT0216E	LOW PRESSURE SWITCH	1	1	1	1	1	1						
8	CNT0186E	AIR DIFFERENTIAL PRESSURE CONTROL	2	2	2	2	2	2						
8	CNT0224E	HIGH PRESSURE SWITCH TYPE: G63P50	1	1	1	1	1	1						
8	HSE0050E	FLEXIBLE PIPE DI 1.2 mm/DE 5.9 mm	1	1	1	1	1	1						
10	CDS0656E	PLATE CONDENSER			1									
10	CDS0655E	PLATE CONDENSER				1								
10	CDS0654E	PLATE CONDENSER					1	1						
10	CDS0651E	PLATE CONDENSER	1											
10	CDS0738E	PLATE CONDENSER		1										
11	COM0642E	SCROLL COMPRESSOR ZR22K3E	1											
11	COM0974E	SCROLL COMPRESSOR		1										
11	COM0648E	SCROLL COMPRESSOR ZR40K3E-TFD-52			1									
11	COM0796E	SCROLL COMPRESSEUR ZR48K3E-TFD-522				1								
11	COM0650E	SCROLL COMPRESSOR ZR61KCE TFD					1							
11	COM0651E	SCROLL COMPRESSOR ZR72KCE-TFD-522						1						
11	COM0794E	SCROLL COMPRESSOR ZR34K3E-PFJ-522		1										
12	HTR0122E	CRANKCASE HEATER	1	1	1	1	1	1						
13	GLS0048E	SIGHT GLASS	1	1	1	1	1	1						
14	DHY0037E	DEHYDRATOR	1	1	1	1								
14	DHY0038E	DEHYDRATOR					1	1						
15	VAL0888E	EXPANSION VALVE TYPE:TX3	1											
15	VAL0889E	EXPANSION VALVE TYPE:TX3		1	1									
15	VAL0890E	EXPANSION VALVE TYPE:TX3				1								
15	VAL0891E	EXPANSION VALVE TYPE TX3					1	1						
16	SEN0082E	TEMPERATURE+HUMIDITY SENSOR	1	1	1	1	1	1	1	1	1	1	1	1
16	BRD0119E	CONTROL BOARD MP20 HUMIDIFIER	1	1	1	1	1	1						
16	BRD0122E	CONTROL CARD PC01-SMALL	1	1	1	1	1	1						
16	BRD0120E	CONTROL CARD ON/OFF FAN	1	1	1	1	1	1						
16	BRD0121E	CLOCK BOARD POC1	1	1	1	1	1	1						
16	SEN0076E	TEMPERATURE SENSOR							1	1	1	1	1	1
16	SEN0072E	SENSOR WATER DETECTOR	1	1	1	1	1	1	1	1	1	1	1	1
16	SEN0123E	FLOODING DETECTOR FSD	1	1	1	1	1	1	1	1	1	1	1	1
16	CNT0310E	FIRE DETECTOR	1	1	1	1	1	1	1	1	1	1	1	1
16	CNT0311E	SMOKE DETECTOR	1	1	1	1	1	1	1	1	1	1	1	1
16	VAL0584E	MANUAL SAFETY THERMOSTAT	1	1	1	1	1	1					1	
16	CNT0308E	SPEED CONTROLE FAN 4A	1	1	1				1	1	1			
16	CNT0309E	SPPED CONTROLER FAN 8A				1	1	1				1	1	1
18	TRD0010E	CURRENT TRANSFORMER	1	1	1	1	1	1						
18	TDR0010E	CURRENT TRANSFORMER - « TAM universel »	1	1	1	1	1	1	1	1	1	1	1	1
19	VAL0884E	3 WAYS VALVE							1					
19	VAL0885E	3 WAYS VALVE								1	1	1		
19	VAL0886E	3 WAYS VALVE											1	1
19	MOT1079E	VALVE MOTOR TYPE: SSC619							1	1	1	1	1	1
25	HSE0052E	SUPPLY STEAM HOSE DIA 22mm	1	1	1	1	1	1	1	1	1	1	1	1
28	BOT0011E	HUMIDIFIER BOTTLE	1	1	1	1	1	1						
29	KIT1332E	KIT HUMIDIFIER DRIP TRAY WITHOUT BOTTLE	1	1	1	1	1	1	1	1	1	1	1	1

PRODUCT VIEW-HUMIDIFIER BOTTLE



HUMIDIFIER BOTTLE

ITEM	DESCRIPTION	ORDERING NUMBER	JUPITER	MERCURY
25	SUPLY STEAM HOSE DIA 30 mm	TUB0138E		1
25	SUPPLY STEAM HOSE DIA 22mm	HSE0052E	1	
28	HUMIDIFIER BOTTLE	BOT0012E		1
28	HUMIDIFIER BOTTLE	BOT0011E	1	
28	CLEANABLE CYLINDER	BOT0013E		1
29	KIT HUMIDIFIER DRIP TRAY (WITHOUT BOTTLE)	KIT1333E		1
29	KIT HUMIDIFIER DRIP TRAY (WITHOUT BOTTLE)	KIT1332E	1	
-	KIT HUMIDIFIER DRIP TRAY-OEM313	KIT1337E	-	-
30	SUPPLY TANK HUMIDIFIER WITH CONDUCTIVITY ELECTRODES	REC0066E	1	1
31	DRAIN VALVE HUMIDIFIER	VAL0896E	1	1
32	SUPPLY VALVE HUMIDIFIER	VAL0895E	1	1



DESCRIPTION	TYPE	CAPACITY	ORDERING NUMBER
HUMIDIFIER BOTTLE	F 201MA	1 à 3 kg/h	BOT0008E
HUMIDIFIER BOTTLE	E 401T	8 à 13 kg/h	BOT0006E
HUMIDIFIER BOTTLE	F 401TA	3 à 5 kg/h	BOT0005E
HUMIDIFIER BOTTLE	E 4001TA	8 à 13 kg/h	BOT0004E
HUMIDIFIER BOTTLE	F 401T	-	BOT0007E
KIT CYLINDER FILTER	-	-	KIT0895E



HUMIDIFIER ACCESSORIES

PART DESCRIPTION	ORDERING NUMBER
KIT DRAIN HUMIDIFIER	KIT1336E
KIT INTERNAL PIPE HUMIDIFIER JUPITER UNIT	KIT1334E
KIT HUMIDIFICATION UNIFLAIR UNIT	KIT0943E
KIT INTERNAL PIPE HUMIDIFIER MERCURY UNIT	KIT1335E
KIT HUMIDIFICATION	KIT0942E

FILTERS

MDC/BDC/MUA/MUW

UNIT	SIZE	QUANTITY	ORDERING NUMBER
MDC/BDC	610	1	MDC0048E
MDC/BDC	710	1	FLR0300E
MDC/BDC	910	1	FLR0296E
MDC/BDC	1210	2	FLR0300E
MDC/BDC	1710	2	FLR0296E
MDC/BDC	2310-2510	3	FLR0296E
MDC/BDC	3010-3310-3510	3	FLR0295E
MUA/MUW	351	1	FLR0301E
MUA/MUW	501-651	1	FLR0299E
MUA/MUW	701-702	2	FLR0301E
MUA/MUW	1002-1302	2	FLR0293E
MUA/MUW	1352	3	FLR0293E

Type: EU4.



FILTERS

MDA/MDW/MDG/MDT/MDD/MDE/MUC

UNIT	SIZE	QUANTITY	ORDERING NUMBER
MDA-MDW-MDG	351	1	FLR0301E
MDA-MDW-MDG	701-702	2	FLR0301E
MDA-MDW-MDG	501-651	1	FLR0297E
MDA-MDW-MDG	1002-1302	2	FLR0297E
MDA-MDW-MDG	1352-1503	3	FLR0297E
MDT-MDD-MDE	651	2	FLR0301E
MDT-MDD-MDE	702	2	FLR0297E
MDT-MDD-MDE	1002-1302	3	FLR0297E
MUC	610-710	1	FLR0301E
MUC	1210	2	FLR0301E
MUC	910	1	FLR0299E
MUC	1710	2	FLR0293E
MUC	2310-2510	3	FLR0293E

Type: EU4.

SDA/SDW/SUA/SUW/SDC/SUC/MDA/MDW/MDG/MDT/MDD/MDE

UNIT	SIZE	QUANTITY	ORDERING NUMBER
SDA/SDW/SUA/SUW	151-251	1	FLR0305E
SDA/SDW/SUA/SUW	331	1	FLR0304E
SDA/SDW/SUA/SUW	351	1	FLR0303E
SDA/SDW/SUA/SUW	501	1	FLR0302E
SDC/SUC	200	1	FLR0305E
SDC/SUC	250	1	FLR0304E
SDC/SUC	300-400	1	FLR0303E
SDC/SUC	600	1	FLR0302E

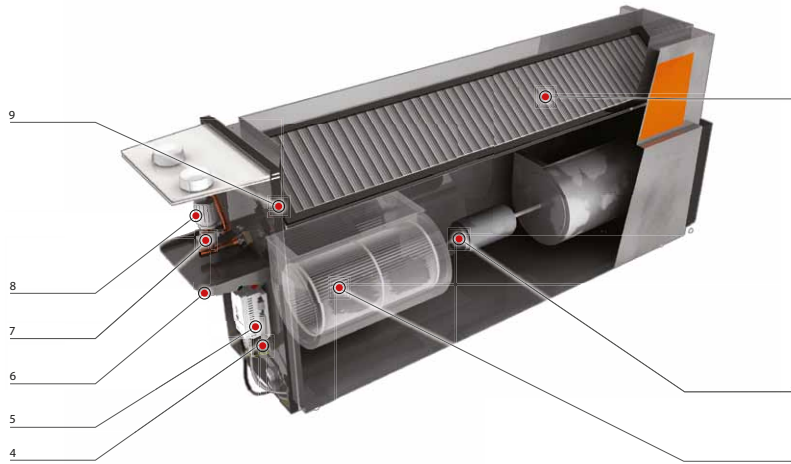
Standard Filter-type EU2-depth 12 mm.

FILTER OPTION EU4-SDA/SDW/SUA/SUW/SDC/SUC

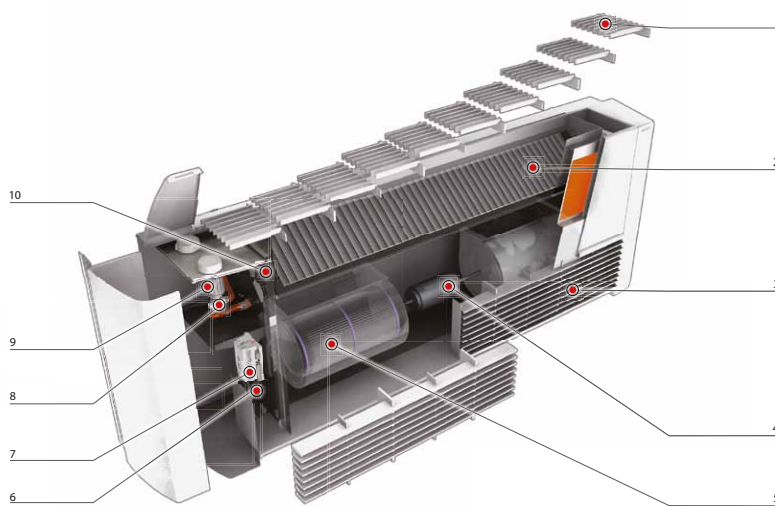
UNIT	SIZE	QUANTITY	ORDERING NUMBER
SDA/SDW/SUA/SUW	151-251	1	SDA0013E
SDA/SDW/SUA/SUW	331	1	SDA0014E
SDA/SDW/SUA/SUW	351	1	SDA0015E
SDA/SDW/SUA/SUW	501	1	SDA0016E
SDC/SUC	200	1	SDA0013E
SDC/SUC	250	1	SDA0014E
SDC/SUC	300-400	1	SDA0015E
SDC/SUC	600	1	SDA0016E

Filter option EU4-depth 48 mm.

PRODUCT VIEWS

**HVC**

- 1 = Coil
- 2 = Fan motor and capacitor
- 3 = Tangential fan
- 4 = Sensor
- 5 = Thermostat
- 6 = Drain pan
- 7 = Valve body
- 8 = Valve actuator
- 9 = Safety thermostat

**FVC**

- 1 = Supply guard
- 2 = Coil
- 3 = Filter
- 4 = Fan motor and capacitor
- 5 = Tangential fan
- 6 = Sensor
- 7 = Thermostat
- 8 = Valve body
- 9 = Valve actuator
- 10 = Safety thermostat

**HFO**

- 1 = Fan motor and capacitor
- 2 = Coil
- 3 = Tangential fan
- 4 = Thermostat heater
- 5 = Valve actuator
- 6 = Valve body
- 7 = Drain pan
- 8 = Sensor
- 9 = ZN controller

FAN COIL UNIT PARTS

FILTERS

TYPE	UNIT SIZE	DIMENSION	ORDERING NUMBER
T200	02	465X212X8	FLR0138E
T200	03	665X212X8	FLR0139E
T200	04	865X212X8	FLR0140E
T200	06	1065X212X8	FLR0141E
T200	08	1265X212X8	FLR0142E
T200	10	1465X212X8	FLR0143E
T200	11	1087X285X8	FLR0144E
T200	12	1287X285X8	FLR0145E
T200	14	1487X285X8	FLR0146E
T200	16	1687X285X8	FLR0147E

Fan coil identification



FILTERS (HFCE, HFXE, VFCE, VFXE)

FILTER TYPE	UNIT TYPE	UNIT SIZE	ORDERING NUMBER
F.C NYLON FILTER	HFCE/HFXE	3	FLR0439E
ALU FILTER	HFCE/HFXE/VFCE/VFXE	3	FLR0440E
NYLON FILTER	VFCE/VFXE	3	FLR0441E
F.C. NYLON	HFCE/HFXE	4	FLR06679
ALU FILTER	HFCE/HFXE/VFCE/VFXE	4	FLR0442E
NYLON FILTER	VFCE/VFXE	4	FLR0443E
F.C NYLON FILTER	HFCE/HFXE	6	FLR0444E
ALU FILTER	HFCE/HFXE	6	FLR0445E
NYLON FILTER	VFCE/VFXE	6	FLR0446E
F.C NYLON FILTER	HFCE/HFXE	8	FLR06681
ALU FILTER	HFCE/HFXE	8	FLR0447E
NYLON FILTER	VFCE/VFXE	8	FLR0448E
F.C. NYLON FILTER	HFCE/HFXE	10	FLR06682
ALU FILTER	HFCE/HFXE	10	FLR0449E
NYLON FILTER	VFCE/VFXE	10	FLR0450E
F.C NYLON FILTER	HFCE/HFXE	12	FLR06683
ALU FILTER	HFCE/HFXE	12	FLR0451E
NYLON FILTER	VFCE/VFXE	12	FLR0452E
R. AIR FILTER	HFCE/HFXE	16	FLR03405
ALU FILTER	HFCE/HFXE	16	FLR0453E
R. AIR FILTER	HFCE/HFXE	20	FLR06838
ALU FILTER	HFCE/HFXE	20	FLR0454E

FAN COIL UNIT PARTS

HOUSING AND FANS

DESCRIPTION	LENGTH (MM)	ORDERING NUMBER
Fan wheel dia 146	175	FAN0192E
Fan wheel dia 146	238	FAN0193E
Fan wheel dia 146	277	FAN0194E
Fan wheel dia 186	232	FAN0195E
Fan wheel dia 186	279	FAN0196E
Fan wheel dia 146	175	FAN0197E
Fan wheel dia 146	238	FAN0198E
Fan wheel dia 146	277	FAN0199E
Fan wheel dia 186	232	FAN0200E
Fan wheel dia 186	279	FAN0201E
Volute steel	290	FAN0202E
Volute steel	330	FAN0203E
Volute steel	362	FAN0204E
Volute steel	290	FAN0206E
Volute steel	330	FAN0207E
Volute steel	290	FAN0212E
Volute steel	277	FAN0213E
Fan steel assembly dia. 146	240	FAN0208E
Fan steel assembly dia. 146	280	FAN0209E
Fan steel assembly dia. 146	279	FAN0205E

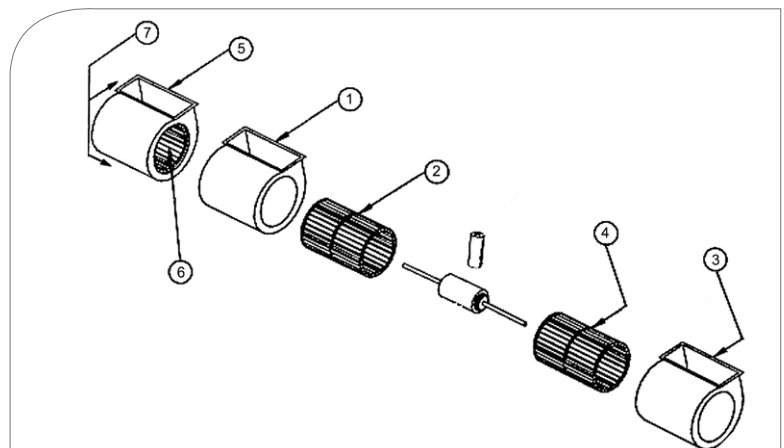
Complete fan: FAN0191E = 1XHUS0045E+1XHUS0044E+4XSCR0155E+4XCLP0030E.

FAN COIL UNIT PARTS

HOUSINGS AND FANS (BEFORE DESIGN G)

ITEM	PART DESCRIPTION	FAN COIL										ORDERING NUMBER
		SIZE 2	SIZE 3	SIZE 4	SIZE 6	SIZE 8	SIZE 10	SIZE 11	SIZE 12	SIZE 14	SIZE 16	
1 (1)	Half plastic housing	1	1	1	1	-	-	-	-	-	-	HUS0044E
1 (1)	Half plastic housing	1	1	1	1	-	-	-	-	-	-	HUS0045E
1 (1)	Housing screw	1	1	1	1	-	-	-	-	-	-	SCR0155E
1 (1)	Shaft clip	1	1	1	1	-	-	-	-	-	-	CLP0030E
1	Complete steel housing	-	-	-	-	-	-	1	-	1	-	FAN0202E
1	Complete steel housing	-	-	-	-	-	-	-	1	-	1	FAN0203E
1	Complete steel housing	-	-	-	-	1	-	-	-	-	-	FAN0212E
1	Complete steel housing	-	-	-	-	-	1	-	-	-	-	FAN0213E
2	Fan wheel (cw)	1	-	1	-	-	-	-	-	-	-	FAN0192E
2	Fan wheel (cw)	-	1	-	1	1	-	-	-	-	-	FAN0193E
2	Fan wheel (cw)	-	-	-	-	-	1	-	-	-	-	FAN0194E
2	Fan wheel (cw)	-	-	-	-	-	-	1	-	1	-	FAN0195E
2	Fan wheel (cw)	-	-	-	-	-	-	-	1	-	1	FAN0196E
3	Half plastic housing	-	-	1	1	-	-	-	-	-	-	HUS0044E
3	Half housing	-	-	1	1	-	-	-	-	-	-	HUS0045E
3	Housing screw	-	-	1	1	-	-	-	-	-	-	SCR0155E
3	Shaft clip	-	-	1	1	-	-	-	-	-	-	CLP0030E
3	Complete steel housing	-	-	-	-	1	-	-	-	-	-	FAN0206E
3	Complete steel housing	-	-	-	-	-	1	-	-	-	-	FAN0207E
4	Fan wheel (acw)	-	-	1	-	-	-	-	-	-	-	FAN0197E
4	Fan wheel (acw)	-	-	-	1	1	-	-	-	-	-	FAN0198E
4	Fan wheel (acw)	-	-	-	-	-	1	-	-	-	-	FAN0199E
4	Fan wheel (acw)	-	-	-	-	-	-	1	-	1	-	FAN0200E
4	Fan wheel (acw)	-	-	-	-	-	-	-	1	-	1	FAN0201E
7	Third fan	-	-	-	-	1	-	-	-	-	-	FAN0208E
7	Third fan	-	-	-	-	-	1	-	-	-	-	FAN0209E
7	Third fan	-	-	-	-	-	-	-	-	1	-	FAN0204E
7	Third fan	-	-	-	-	-	-	-	-	-	1	FAN0205E

(1) Complete fan = 1XHUS0045E+1XHUS0044E+4XSCR0155E+4XCLP0030E.

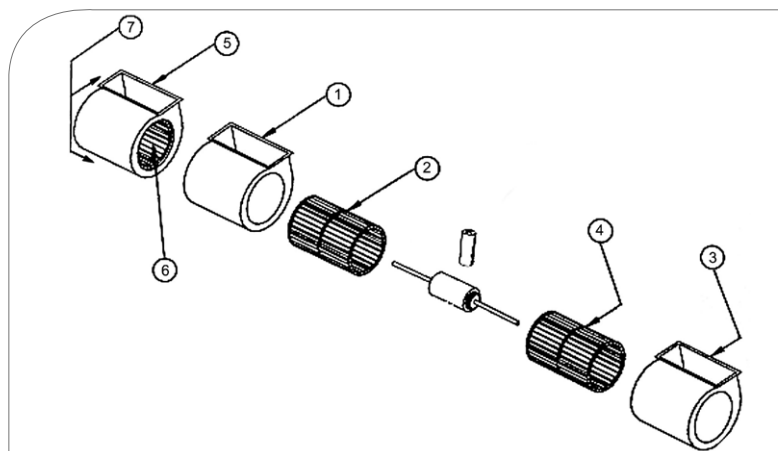


FAN COIL UNIT PARTS

HOUSINGS AND FANS (AFTER DESIGN G)

ITEM	PART DESCRIPTION	FAN COIL										ORDERING NUMBER
		SIZE 2	SIZE 3	SIZE 4	SIZE 6	SIZE 8	SIZE 10	SIZE 11	SIZE 12	SIZE 14-15	SIZE 16-20	
1 (1)	Half plastic housing	1	1	1	1	1	1	-	-	-	-	HUS0044E
1 (1)	Half plastic housing	1	1	1	1	1	1	-	-	-	-	HUS0045E
1 (1)	Housing screw	1	1	1	1	1	1	-	-	-	-	SCR0155E
1 (1)	Shaft clip	1	1	1	1	1	1	-	-	-	-	CLP0030E
1-3	Complete steel housing	-	-	-	-	-	-	1	-	1	-	FAN0202E
1-3	Complete steel housing	-	-	-	-	-	-	-	1	-	1	FAN0203E
2-4	Fan wheel (cw)	1	-	1	-	-	-	-	-	-	-	FAN0192E
2-4	Fan wheel (cw)	-	1	-	1	-	1	-	-	-	-	FAN0193E
2-4	Fan wheel (cw)	-	-	-	-	1	-	-	-	-	-	FAN0194E
2-4	Fan wheel (cw)	-	-	-	-	-	-	1	-	1	-	FAN0195E
2-4	Fan wheel (cw)	-	-	-	-	-	-	-	1	-	1	FAN0196E
4	Fan wheel (cw)	-	-	-	-	-	-	1	-	1	-	FAN0200E
4	Fan wheel (cw)	-	-	-	-	-	-	-	1	-	1	FAN0201E
3	Half plastic housing	-	-	1	1	1	1	-	-	-	-	HUS0044E
3	Half housing	-	-	1	1	1	1	-	-	-	-	HUS0045E
3	Housing screw	-	-	1	1	1	1	-	-	-	-	SCR0155E
3	Housing clip	-	-	1	1	1	1	-	-	-	-	CLP0030E
5	Half plastic housing	-	-	-	-	-	1	-	-	-	-	HUS0044E
5	Half plastic housing	-	-	-	-	-	1	-	-	-	-	HUS0045E
5	Housing screw	-	-	-	-	-	1	-	-	-	-	SCR0155E
5	Shaft clip	-	-	-	-	-	1	-	-	-	-	CLP0030E
6	Fan wheel	-	-	-	-	-	1	-	-	-	-	FAN0193E
7	Third fan	-	-	-	-	-	-	-	-	1	1	FAN0204E
7	Third fan	-	-	-	-	-	-	-	-	-	1	FAN0205E

(1) Complete fan = 1XHUS0045E+1XHUS0044E+4XSCR0155E+4XCLP0030E.



FAN COIL UNIT PARTS

CAPACITORS

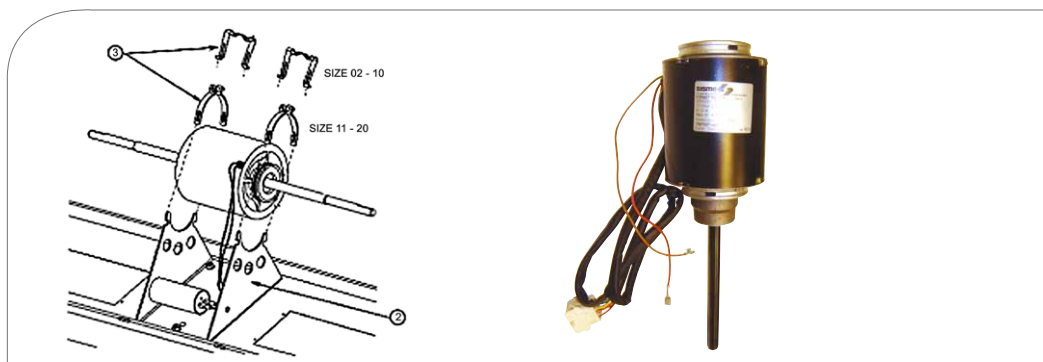
CAPACITY (MFD)	VOLTAGE (V)	ORDERING NUMBER
1	400	CPT0025E
1.25	400	CPT0065E
1.5	400	CPT0026E
2	400	CPT0027E
2.5	400	CPT0028E
3	400	CPT0029E
3.5	400	CPT0037E
4	400	CPT0030E
5	400	CPT0031E
6	400	CPT0032E
7	400	CPT0043E
8	400	CPT0033E
10	400	CPT0034E
15	400	CPT0036E
17.5	400	CPT0052E
20	400	CPT0048E
20	220	CPT0008E
21	300	CPT0039E
25	400	CPT0053E
30	400	CPT0063E
35	400	CPT0054E
40	400	CPT0055E
45	400	CPT0056E
55	400	CPT0067E
80	220	CPT0058E
190	220	CPT0066E



FAN COIL UNIT PARTS

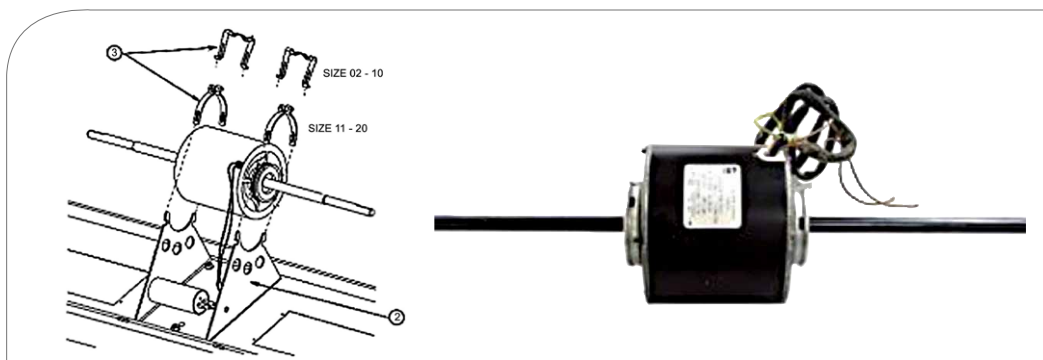
MOTORS (BEFORE DESIGN G)

PART DESCRIPTION	FAN COIL												ORDERING NUMBER
	SIZE 2	SIZE 3	SIZE 4	SIZE 6	SIZE 8	SIZE 10	SIZE 11	SIZE 12	SIZE 14	SIZE 15	SIZE 16	SIZE 20	
Motor 17w	1	1	-	-	-	-	-	-	-	-	-	-	MOT0785E
Motor 60w	-	-	1	1	-	-	-	-	-	-	-	-	MOT0786E
Motor 90w	-	-	-	-	1	1	-	-	-	-	-	-	MOT0807E
Motor 110w	-	-	-	-	-	-	1	1	-	-	-	-	MOT0881E
Motor 250w	-	-	-	-	-	-	-	-	1	1	1	1	MOT0804E
Capacitor 1mfd 400v	1	1	-	-	-	-	-	-	-	-	-	-	CPT0025E
Capacitor 2 mfd 400v	-	-	1	1	-	-	-	-	-	-	-	-	CPT0027E
Capacitor 6 mfd 400v	-	-	-	-	1	1	-	-	-	-	-	-	CPT0032E
Motor bracket	1	1	1	1	1	1	-	-	-	-	-	-	BRK0076E
Motor clip	2	2	2	2	2	2	-	-	-	-	-	-	CLP0011E



MOTORS (AFTER DESIGN G)

PART DESCRIPTION	FAN COIL												ORDERING NUMBER
	SIZE 2	SIZE 3	SIZE 4	SIZE 6	SIZE 8	SIZE 10	SIZE 11	SIZE 12	SIZE 14	SIZE 15	SIZE 16	SIZE 20	
Motor 17w	1	-	-	-	-	1	-	-	-	-	-	-	MOT0785E
Motor 60w	-	-	1	-	-	-	-	-	-	-	-	-	MOT0786E
Motor 90w	-	-	-	1	1	1	-	-	-	-	-	-	MOT0807E
Motor 110w	-	-	-	-	-	-	1	-	-	-	-	-	MOT0881E
Motor 250w	-	-	-	-	-	-	-	1	1	1	-	-	MOT0804E
Motor 340w	-	-	-	-	-	-	-	-	-	-	1	1	MOT0366E



FAN COIL UNIT PARTS

MOTOR (HFCE/HFXE/VFCE/VFXE)

PART DESCRIPTION	FAN COIL								ORDERING NUMBER
	SIZE 03	SIZE 04	SIZE 06	SIZE 08	SIZE 10	SIZE 12	SIZE 16	SIZE 20	
MOTOR STANDARD ESP 220/1/50	1	-	-	-	1	-	-	-	MOT12298
MOTOR HIGH ESP 220/1/50	1	-	-	-	1	-	-	-	MOT12299
MOTOR HIGH ESP 220-240/1/60	1	-	-	-	1	-	-	-	MOT12745
MOTOR STANDARD ESP 220/1/50	-	1	-	-	-	-	-	-	MOT12300
MOTOR HIGH ESP 220/1/50	-	1	-	-	-	-	-	-	MOT12301
MOTOR HIGH ESP 220-240/1/60	-	1	-	-	-	-	-	-	MOT12746
MOTOR STANDARD ESP 220-240/1/60	1	-	-	-	-	-	-	-	MOT1154E
MOTOR STANDARD ESP 220-240/1/60	-	1	-	-	-	-	-	-	MOT1155E
MOTOR STANDARD ESP 220-240/1/60	-	-	1	-	-	-	-	-	MOT1156E
MOTOR STANDARD ESP 220-240/1/60	-	-	-	1	-	-	-	-	MOT1157E
MOTOR STANDARD ESP 220/1/50	-	-	1	-	1	1	-	-	MOT12302
MOTOR HIGH ESP 220/1/50	-	-	1	-	1	1	-	-	MOT12303
MOTOR HIGH ESP 220-240/1/60	-	-	1	-	1	1	-	-	MOT12747
MOTOR STANDARD ESP 220/1/50	-	-	-	1	-	-	-	-	MOT12304
MOTOR HIGH ESP 220/1/50	-	-	-	1	-	-	-	-	MOT12305
MOTOR HIGH ESP 220-240/1/60	-	-	-	1	-	-	-	-	MOT12511
MOTOR STANDARD ESP 220/1/50	-	-	-	-	-	-	1	-	MOT10303
MOTOR STANDARD ESP 220-240/1/60	-	-	-	-	-	-	1	-	MOT10310
MOTOR STANDARD ESP 220/1/50	-	-	-	-	-	-	-	1	MOT10304
MOTOR STANDARD ESP 220-240/1/60	-	-	-	-	-	-	-	1	MOT10311

MOTORS (FCK/FVK/FHK/FCC/FVC)

PART DESCRIPTION	FAN COIL										ORDERING NUMBER
	SIZE 01	SIZE 02	SIZE 03	SIZE 04	SIZE 06	SIZE 08	SIZE 11	SIZE 12	SIZE 15	SIZE 20	
Fan-motor assembly 28W	1										MOT0986E
Fan-motor assembly 40W		1									MOT0987E
Fan-motor assembly 50W			1								MOT0988E
Fan-motor assembly 425W									1	1	MOT1069E
Fan-motor assembly 470W											MOT1070E
Motor 42W				1	1						MOT0998E
Motor 64W					1	1					MOT0999E
Motor 110W							1	1			MOT1000E
Fan 146X186				2							FAN0360E
Fan 146X226					2						FAN0361E
Fan 146X260						2					FAN0362E
Fan 180X240							2	2			FAN0363E

FAN COIL UNIT PARTS

MOTORS (FCU/FEU)

PART DESCRIPTION	FAN COIL						ORDERING NUMBER
	FCU 2	FCU 3	FCU 4	FEU 2	FEU 3	FEU 4	
Fan-motor assembly	1	1	1				MOT1107E
Fan-motor assembly				1	1	1	MOT1108E

MOTORS (FCD)

PART DESCRIPTION	FAN COIL														ORDERING NUMBER
	SIZE 101	SIZE 103	SIZE 203	SIZE 204	SIZE 304	SIZE 306	SIZE 406	SIZE 408	SIZE 508	SIZE 512	SIZE 612	SIZE 616	SIZE 716	SIZE 724	
Fan-motor assembly 28W	1														MOT0986E
Fan-motor assembly 50W		1	1												MOT0988E
Fan-motor assembly 70W				1	1										MOT1093E
Fan-motor assembly						1	1								MOT1106E
Fan-motor assembly							1	1							MOT1102E
Fan-motor assembly									1	1					MOT1105E
Fan-motor assembly												1	1		MOT1103E
Fan-motor assembly														1	MOT1104E

MOTORS (FED)

PART DESCRIPTION	FAN COIL					ORDERING NUMBER
	SIZE 100	SIZE 200	SIZE 300	SIZE 400	SIZE 500	
Fan-motor assembly 106W	1	1	1	2		FAN0378E

MOTORS (FWD/MWD)

MODEL NUMBER	PART DESCRIPTION	UNIT	ORDERING NUMBER
DPC 200-180 NB	Kit fan-motor 230/50/1-250W-1320 RPM-class F-IP 10-capacitor 6 MFD	MWD 530-536-FWD 10-12	KIT0549E
DPC 321-241 NB	Kit fan-motor 230/50/1-1000W-900 RPM-class F-IP10-capacitor 30 MFD	MWD 100-125-FWD 45	KIT0877E
DPA 216-236 NB	Kit fan-motor 230/50/1-373W-1230 RPM-class F-IP 10-capacitor 10 MFD	MWD 048	KIT0550E
DPA 160-176 NB	Kit fan-motor 230/50/1-184W-1400RPM-class B-IP 10-capacitor 4 MFD	FWD 08-MWD 518	KIT0547E
DPA 133-176 NB	Kit fan-motor 230/50/1-85W-1200 RPM-class B-IP 30-capacitor 3 MFD	MWD 509-512	KIT0546E
DPA 185-240 NB	Kit fan-motor 230/50/1-90W-1390 RPM-class B-IP 20-capacitor 5 MFD	MWD 524	KIT0548E

FAN COIL UNIT PARTS

W/VMP REGULATING VALVES

MODEL NUMBER	NUMBER OF WAY	KVS	CONNECTION	ACTUATOR (1)	ORDERING NUMBER
VMP 469.10-1	3	1	1/2	MOT0979E	VAL0785E
VMP 469.10-1.6	3	1.6	1/2	MOT0681E	VAL0786E
VMP 469.15-2.5	3	2.5	3/4	MOT0681E	VAL0787E
VMP45-10-1.0	4	1.0	1/2"	MOT0982E	VAL0544E
VMP45-10-1.6	4	1.6	1/2"	MOT0982E	VAL0545E
VMP45-15-2.5	4	2.5	3/4"	MOT0982E	VAL0546E

(1) See actuators table.



ACTUATORS FOR VALVE W/VMP

MODEL NUMBER	REGULATION	VOLTAGE (V/HZ/PH)	CABLE LENGTH (METER)	ORDERING NUMBER
STE22	on/off	127-220-240v/50hz/1	2.50	MOT0681E
STE72	Modulating	24v/50hz/1	2.00	BON0005E
SSB81	Modulating	24V/50Hz/1	2.00	MOT0982E
STA719	on/off	24V/50Hz/1	2.50	MOT0979E



FAN COIL UNIT PARTS

WATER VALVE KITS

PART DESCRIPTION	ORDERING NUMBER
KIT VALVE 2 WAYS 3/4-TOR STOP VALVE-CWS 01-02-03 2 PIPES	KIT1246E
KIT 2 WAYS VALVE 1"-TOR STOP VALVE-CWS 04-05-06 2 PIPES	KIT1247E
KIT 3 WAYS VALVE+BYPASS 3/4-TOR-STOP VALVE-CWS 01-02-03 2 PIPES	KIT1250E
KIT 3 WAYS VALVE+BYPASS 1"-TOR-STOP VALVE-CWS 04-05-06 2 PIPES	KIT1251E
KIT 3 WAYS VALVE+BYPASS 3/4+3/4-TOR-STOP VALVE-CWS 01-02-03-4 PIPES	KIT1252E
KIT 3 WAYS VALVE+BYPASS 3/4+1"-TOR-STOP VALVE-CWS 04-05-06-4 PIPES	KIT1253E
KIT 3 WAY VALVE WITH BY-PASS FWD 08 TO 20	KIT0908E
KIT 3 WAY VALVE WITH BY-PASS FWD 030-045	KIT0909E
KIT 3 WAY VALVE HOT WATER COIL MWD/FWD	KIT0552E
KIT 3 WAYS VALVE COOLING TOR	KIT1096E
KIT 3 WAYS VALVE HEATING TOR	KIT1097E
KIT 3 WAYS VALVE COOLING ZN 523-UNITRANE 2 SIZE 11 TO 20-THERMIC	KIT1186E
KIT 3 WAYS VALVE HEATING ZN 523-UNITRANE 2 SIZE 11 TO 20-THERMIC	KIT1187E
KIT CONNECTION VALVE 1/2"-FCD	KIT1321E
KIT CONNECTION VALVE 3/4" FCD	KIT1322E

CASSETTE ACCESSORIES

PART DESCRIPTION	ORDERING NUMBER
MANIFOLD CONDENSAT WATER TUBE CWS	KIT1243E
KIT SIDE FRESH AIR DISCHARGE FAK600-CWS 01-02-03	KIT1244E
KIT SIDE FRESH AIR DISCHARGE FAK800-CWS 04-05-06	KIT1245E
KIT CONNEXION COOLING VALVE CASSETTE 01 TO 03-2 PIPE	KIT1270E
KIT CONNEXION COOL/HEAT VALVE CASSETTE 01 TO 03-4 PIPES	KIT1271E

FAN COIL UNIT PARTS

THERMOSTAT (HFCE/HFXE/VFCE/VFXE)

PART DESCRIPTION	FAN COIL								ORDERING NUMBER
	SIZE 03	SIZE 04	SIZE 06	SIZE 08	SIZE 10	SIZE 12	SIZE 16	SIZE 20	
2 Pipe System W/single Cooling&Heating Thermostat controlling valve only/with 2-Way/ 3-Way Valve (Digital+Back Light)	1	1	1	1	1	1	1	1	THT0212E
2 Pipe System W/single Cooling&Heating Thermostat controlling valve only/with 3-Way Valve (Digital)	1	1	1	1	1	1	1	1	THT02827
2 Pipe System W/single Cooling&Heating Thermostat controlling valve and Fancoil/with 2-Way/3 Way Valve (Digital+Back Light)	1	1	1	1	-	-	1	-	THT02867
2 Pipe System W/single Cooling&Heating Thermostat controlling valve and Fancoil/with 3-Way Valve (Digital)	-	1	1	1	-	-	1	1	THT0213E
2 Pipe System W/single Cooling&Heating Thermostat controlling valve+Elec. Heater with 2-Way/3-Way Valve (Digital)	1	1	1	1	-	-	1	1	THT02707
4 Pipe System W/single Cooling& heating Thermostat Controlling Valve Only/with 2 Sets 3-Way Valve (Digital)	1	1	1	1	-	-	-	-	THT02850
2 Pipe System W/single Cooling&Heating Thermostat controlling valve and Fancoil (Manual on/off type)	1	1	1	1	-	1	1	1	THT02764
2 Pipe System W/single Cooling&Heating Thermostat controlling Fancoil Only (Manual on/off type)	1	1	1	1	1	-	1	1	THT02847

V REGULATING VALVES

MODEL NUMBER	NUMBER OF WAY	KVS	CONNECTION	ACTUATOR (1)	ORDERING NUMBER
V5833C1017T	3	0.6	1/2"	MOT0763E	VAL0397E
V5833C1025T	3	1.0	1/2"	MOT0763E	VAL0398E
V5833C4003	3	1.6	1/2"	MOT0763E	VAL0738E
V9071	2	1.6	1/2"	MOT0916E	VAL0781E
V5833C1041T	3	2.5	3/4"	MOT0763E	VAL0400E
V5833C1033	3	1.6	1/2"	MOT0763E OR MOT0916E	VAL0399E
V5832A1046	2	1.0	1/2"	-	VAL0492E
V5832A1053	2	1.6	1/2"	-	VAL0493E
V5832A1061	2	2.5	3/4"	-	VAL0494E
V5833C1058	3	4.0	3/4"	-	VAL0510E
V5833A2092	3	10.0	1"1/2	-	VAL0547E
V9071X0015	2	1.0	1/2"	MOT0916E	VAL0780E
V5832A4008	2	1.6	1/2"	MOT0369E	VAL0798E
V5832A4016	2	2.5	3/4"	-	VAL0799E
V5833C4011	3	2.5	3/4"	-	VAL0800E

(1) See actuator table.



FAN COIL UNIT PARTS

ACTUATORS FOR VALVES V

MODEL NUMBER	VOLTAGE (V/HZ/PH)	CABLE LENGTH (METER)	REGULATION	ORDERING NUMBER
M7410C	24v/50/1	3.00	-	MOT0368E
M6410	230v/50/1	1.50	TOR	MOT0370E
M100BG	230v/50/1	2.50	TOR	MOT0369E
M4450	230v/50/1	2.50	-	MOT0763E
M8450A	24v/50/1	2.10	TOR	MOT0916E
M100BOL	230v/50/60 hz	2.50	TOR	MOT0973E



SUPPLY GUARD AND ACCESSORIES

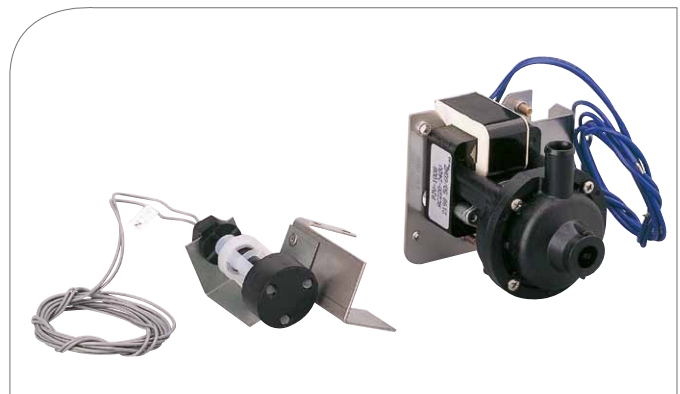
COLOR	LEAN	ELECTRICAL HEATER	RAL	ORDERING NUMBER
White	Fixe	No	9002	GRD0178E
White	Adjustable	Yes	9002	GRD0179E
Grey	Fixe	No	7001	GRD0070E
Beige	Adjustable	Yes	9010	GRD0133E
Plastic hinge	-	-	7001	HNG0007E
Right hand cover-stamed Trane black-CYCOLAC G101 plastic	-	-	9002	COV0018E
Left hand cover-Stamed Trane black-CYCOLAC G101 plastic	-	-	9002	COV0026E
Command plate-Régulation: on/off-CYCOLAC G101	-	-	9002	PLT0055E



FAN COIL UNIT PARTS

CONDENSATE PUMP AND ACCESSORIES

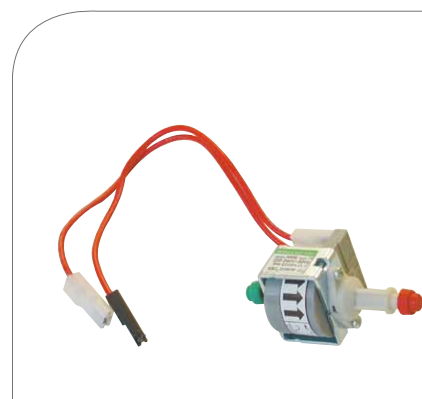
PART DESCRIPTION	WATER FLOW	ORDERING NUMBER
Drain pump 230/50-60 for fan coil	8l/h	PMP0028E
Drain pump 230/50-60 for fan coil	40l/h	PMP0027E
Lift pump for fan coil- Type KS2031	50l/h	PMP0128E
Condensate pump for cassette CWS	-	PMP0048E
Condensate pump	400cm ³ /min	PMP0052E
Condensate pump for cassette CWS with bracket	-	PMP0139E
Transducer condensate pump for PMP0028E or PMP0027E	-	CPR0010E
Transducer condensate pump for PMP0048E	-	CPR0007E
Float FSB0808-353	-	CPR0008E
Fan coil kit condensate pump	8l/h	KIT1198E
Kit lift pump Sauermann Type: KS2030	-	KIT1225E
Condensate pump kit -FCD	-	KIT1323E
Kit relay+base	230V	RLY0282E
Kit relay+base	24V	RLY0335E
Horizontal drain pan-unitrane2-FCC taille 01-08-with isolating	-	PNN0196E
Vertical drain pan-unitrane2-FCC taille 01-08-with isolating	-	PNN0197E
Auxiliary drain pan for CWS 95-155	-	PNN0160E
Horizontal/vertical drain pan-unitrane 2 FCK/FHK/FVC size 11-20 FCK horizontal size 01-08 only	-	PNN0195E
Condensat pump set 5m lift for CWS 600x600	-	KIT1015E



FAN COIL UNIT PARTS

CONDENSATE PUMPS

DESCRIPTION	UNIT	ORDERING NUMBER
Kit retrofit centrifugal pump-Cassette IMI	CWS	KIT0522E
Condensate pump cassette CWS 5M	CWS	PMP0048E



MECHANICAL CONTROL

PART DESCRIPTION	ORDERING NUMBER
Round plastic knob RAL9002	BTN0012E
Summer/winter switch	SWT0198E
Change-over thermostat	THT0106E
3 speeds selector (wallmounted)	SWT0212E
3 speed commutator 3 speed-Type 4RH-Connecting faston	SWT0199E
Control limit 135°F-Type thermodisc 60T13-closed 105°F-SPDT	CNT01015
Thermostat first stage +6/+33°C -TYPE TY95-Capillary length 1M-Connector Faston	THT0161E
Safety thermostat electrical coil-Manual reset 148°C 0°/-16°C	THT0175E

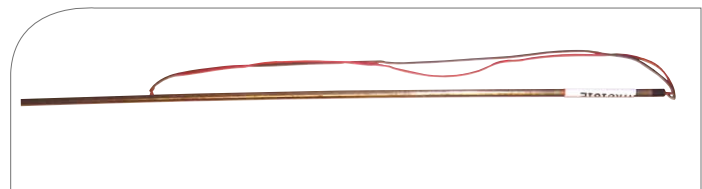
FAN COIL UNIT PARTS

HEATERS (HFCE/HFXE/VFCE/VFXE)

PART DESCRIPTION	FAN COIL								ORDERING NUMBER
	SIZE 03	SIZE 04	SIZE 06	SIZE 08	SIZE 10	SIZE 12	SIZE 16	SIZE 20	
HEATER 1000W	1			2	2	-	-	-	HTR0243E
HEATER 1400W	-	1	1	2	2	2	-	-	HTR0244E
HEATER 1800W	-	1	1	2	2	2	-	-	HTR0245E
HEATER 2300W	-	-	-	-	-	2	-	-	HTR0246E
HEATER 1000W	-	-	-	-	-	-	2	2	HTR0247E
HEATER 2000W	-	-	-	-	-	-	2	2	HTR0248E
HEATER 1500W	-	-	-	-	-	-	4	4	HTR0218E

ELECTRICAL HEATERS AND THERMOSTATS

TYPE	POWER (WATT)	VOLTAGE (V)	PIPE LENGTH (MM)	WIRE LENGTH (MM)	ORDERING NUMBER
Monotube	530	230	388	700	HTR0177E
Monotube	750	230	588	700	HTR0178E
Monotube	750	230	988	700	HTR0183E
Monotube	980	230	788	700	HTR0179E
Monotube	1530	230	988	700	HTR0180E
Monotube	1970	230	1188	700	HTR0181E
Heater element without bracket	1500/750	230	-	-	HTR0189E
Heater element without bracket	2000/1000	230	-	-	HTR0190E
Thermostat first stage +6/+33°C -Type: TY95	-	-	-	1000	THT0161E
Safety thermostat electrical coil-Manual reset 148°C 0°/-16°C	-	-	-	-	THT0175E



FAN COIL UNIT PARTS

ELECTRICAL HEATER INSTALLATION KITS

UNIT TYPE	UNIT SIZE	ELECTRICAL HEATER (KW)	ORDERING NUMBER
Low heat	02	0.53	KIT0596E
Medium heat	02	1.0	KIT0597E
High heat	02	1.6	KIT0598E
Low heat	03	0.75	KIT0599E
Medium heat	03	1.5	KIT0600E
High heat	03	2.25	KIT0601E
Low heat	04	1.0	KIT0602E
Medium heat	04	2.0	KIT0603E
High heat	04	3.0	KIT0604E
Low heat	06	1.5	KIT0605E
Medium heat/Low heat	06/11	3.0	KIT0606E
High heat	06	4.5	KIT0607E
Low heat	08	2.0	KIT0608E
Medium heat/Low heat	08/12	4.0	KIT0609E
High heat	08	6.0	KIT0610E
Low heat	10	2.5	KIT0611E
Medium heat/Low heat	10/14 to 20	5.0	KIT0612E
High heat	10	7.0	KIT0613E
Medium heat	11	6.0	KIT0614E
High heat	11	9.0	KIT0615E
Medium heat	12	8.0	KIT0616E
High heat	12	12.0	KIT0617E
Medium heat	14 to 20	9.5	KIT0618E
High heat	14 to 20	14.5	KIT0619E

Kit detail: Electrical heater(s), thermostats, components and installation manual, and wiring.

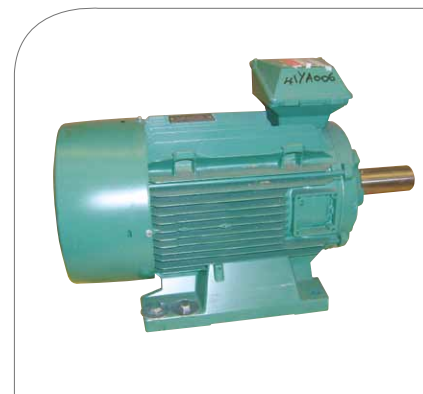
3-PHASE MOTORS

1 SPEED

TYPE	POWER (KW)	SHAFT DIAMETER	POWER SUPPLY (1)	SPEED (RPM)	ORDERING NUMBER
80 L4 B3	0.55	19	230-400/50/3	1500	MOT0257E
80 L4 B3	0.75	19	230-400/50/3	1500	MOT0290E
90 S LS2/IE2 B3	1.1	?	230-400/50/3	1500	MOT1145E
90 L4 B3	1.5	24	230-400/50/3	1500	MOT0285E
90 L4 B3	1.8	22	230-400/50/3	1500	MOT1131E
100 L LS2/IE2 B3	2.2	?	230-400/50/3	1500	MOT1149E
100 LR LS2/IE2 B3	3.0	?	230-400/50/3	1500	MOT1148E
100 L2 B3	3.0	22	230-400/50/3	3000	MOT1132E
112 MU LS2/IE2 B3	4.0	?	230-400-50-3	1500	MOT1146E
132 S2 B3/V5	4.6	28	230-400/50/3	3000	MOT1133E
132 SU LS2/IE2 B3	5.5	?	230-400/50/3	1500	MOT1163E
132 SU4 B3	5.5	38	230-400/50/3	1500	MOT1127E
132 S2- B3	5.5	38	230-400/50/3	3000	MOT1134E
132 M4 B3	7.5	38	230-400/50/3	1500	MOT0919E
132 M4 B3	7.5	38	230-400/50/3	1500	MOT1128E
132 SU2 B3	7.5	38	230-400/50/3	3000	MOT1135E
132 M2 B3	9.0	38	230-400/50/3	3000	MOT1136E
160 M4 B3	11.0	42	380-415/50/3	1500	MOT0437E
160 L4 B3	15.0	42	380-415/50/3	1500	MOT0438E
160 L4	15.0	42	380-415/50/3	1500	MOT1125E
180 MT LS2/IE2 B3	18.5	?	380-415/50/3	1500	MOT1150E
180 L4 B3	22.0	55	380-415/50/3	1500	MOT0439E
180 LR4	22.0	48	380-415/50/3	1500	MOT1126E
200 L4 B3	30.0	55	380-415/50/3	1500	MOT0441E
160 MR4 B3	11.0	42	230-400/50/3	1500	MOT1129E
160 L4 B3	15.0	42	230-400/50/3	1500	MOT1130E

Motors IP55, Class F, PTO.

(1) Power supply: if 400/50/3, operation possible with 460/60/3.



3-PHASE MOTORS

2 SPEEDS

TYPE	POWER (KW)	SHAFT DIAMETER	POWER SUPPLY (1)	SPEED (RMP)	ORDERING NUMBER
112 M4/8 B3	4-0.75	28	380-415/50/3	1500/750	MOT0357E
132 M4/8 B3	5.5-1.1	38	380-415/50/3	1500/750	MOT0358E
132 M4/8 B3	7.5-1.5	38	380-415/50/3	1500/750	MOT0359E
160 M4/8 B3	11-2.8	42	380-415/50/3	1500/750	MOT0360E
160 L4/8 B3	15-3.8	42	380-415/50/3	1500/750	MOT0361E
180 L4/8 B3	18.5-4.8	48	380-415/50/3	1500/750	MOT0362E
200 L4/8 B3	21-4.5	48	380-415/50/3	1500/750	MOT0627E
200 L4/8 B3	27-7.0	55	380-415/50/3	1500/750	MOT0628E
225 M4/8 B3	30.5-8.5	60	380-415/50/3	1500/750	MOT0629E

Motors IP55, Class F, PTO.

(1) Power supply: if 400/50/3, operation possible with 460/60/3.



SHEAVES

Sheaves and Bushings selection chart according to sheave external diameter

SHEAVE DIAMETER (MM)	BELT MODEL NUMBER	SHEAVES ORDERING NUMBER	BUSHING TYPE	SHEAVE DIAMETER (MM)	BELT MODEL NUMBER	SHEAVES ORDERING NUMBER	BUSHING TYPE
75	SPZ-1G	SHE0385E	n°1108	75	SPZ-2G	SHE0401E	n°1210
80	SPZ-1G	SHE0386E	n°1210	80	
85	SPZ-1G	SHE0387E		n°1210	85	SPZ-2G	SHE0402E
90	SPZ-1G	SHE0388E	n°1210		90	SPA-2G	SHE0309E
95		n°1210	95	SPZ-2G	SHE0403E
100	SPZ-1G	SHE0389E	n°1210		100	SPA-2G	SHE0295E
	SPA-1G	SHE0338E		n°1210		SPZ-2G	SHE0404E
106	SPZ-1G	SHE0390E	n°1210		106	SPZ-2G	SHE0405E
	SPA-1G	SHE0339E		n°1210		SPA-2G	SHE0310E
112	SPZ-1G	SHE0391E	n°1210		112	SPZ-2G	SHE0406E
	SPA-1G	SHE0340E		n°1210		SPZ-2G	SHE0407E
118	SPZ-1G	SHE0392E	n°1210		118	SPZ-2G	SHE0407E
	SPA-1G	SHE0393E		n°1210		SPA-2G	SHE0351E
125	SPZ-1G	SHE0393E	n°1210		125	SPZ-2G	SHE0408E
	SPA-1G	SHE0341E		n°1210		SPA-2G	SHE0311E
132	SPZ-1G	SHE0394E	n°1210		132	SPZ-2G	SHE0316E
	SPA-1G	SHE0342E		n°1210		SPA-2G	SHE0312E
140	SPZ-1G	SHE0395E	n°1610		140	SPB-2G	SHE0362E
		n°1610		SPZ-2G	SHE0409E
	SPA-1G	SHE0343E	n°1610			SPA-2G	SHE0352E
150	SPZ-1G	SHE0396E		n°1610	150	SPB-2G	SHE0363E
	n°1610			SPZ-2G	SHE0410E
	SPA-1G	SHE0344E		n°1610		SPA-2G	SHE0337E
160	SPZ-1G	SHE0397E	n°1610		160	SPB-2G	SHE0364E
		n°1610		SPZ-2G	SHE0411E
170	SPA-1G	SHE0345E	n°1610		170	SPB-2G	SHE0365E
	SPA-1G	SHE0346E		n°1610		SPA-2G	SHE0353E
180	SPZ-1G	SHE0398E	n°1610		180	SPB-2G	SHE0366E
		n°1610		SPZ-2G	SHE0317E
190	n°1610		190	SPB-2G	SHE0367E
	SPA-1G	SHE0347E		n°1610		SPA-2G	SHE0354E
200	SPZ-1G	SHE0399E	n°1610		200	SPB-2G	SHE0368E
		n°1610		SPZ-2G	SHE0318E
212	n°1610		212	SPB-2G	SHE0369E
	SPA-1G	SHE0348E		n°1610		SPA-2G	SHE0355E
224	SPZ-1G	SHE0400E	n°2012		224	SPB-2G	SHE0370E
		n°2012		SPZ-2G	SHE0319E
236	n°2012		236	SPB-2G	SHE0371E
	SPA-1G	SHE0349E		n°2012		SPA-2G	SHE0313E
250	n°2012		250	SPB-2G	SHE0372E
		n°2012		SPZ-2G	SHE0320E
280	SPA-1G	SHE0350E	n°2012			SPA-2G	SHE0314E
		n°2012	280	SPB-2G	SHE0373E
	n°2012			SPZ-2G	SHE0321E
		n°2012		SPA-2G	SHE0315E
	n°2012		315	SPB-2G	SHE0374E
		n°2012		SPZ-2G	SHE0412E

1 GROOVE

2 GROOVES

SHEAVES

SHEAVE DIAMETER (MM)	BELT MODEL NUMBER	SHEAVES ORDERING NUMBER	BUSHING TYPE	SHEAVE DIAMETER (MM)	BELT MODEL NUMBER	SHEAVES ORDERING NUMBER	BUSHING TYPE
90	SPZ-3G	SHE0322E	n°1610				
95	SPZ-3G	SHE0413E					
100	SPZ-3G	SHE0323E					
				100	SPA-4G	SHE0356E	n°1610
				106	SPA-4G	SHE0357E	n°2012
112	SPZ-3G	SHE0414E	n°2012	112	SPA-4G	SHE0358E	
118	SPZ-3G	SHE0415E		112	SPZ-4G	SHE0421E	
				125	SPZ-4G	SHE0328E	
125	SPA-3G	SHE0429E					
132	SPZ-3G	SHE0324E		132	SPA-4G	SHE0359E	n°2517
140	SPZ-3G	SHE0416E		140	SPA-4G	SHE0360E	
					SPZ-4G	SHE0329E	n°2012
150	SPB-3G	SHE0375E	n°2517				
160	SPZ-3G	SHE0417E	n°2012	160	SPZ-4G	SHE0330E	n°2517
	SPB-3G	SHE0376E	n°2517				
170	SPB-3G	SHE0377E					
180	SPZ-3G	SHE0418E	n°2012	180	SPZ-4G	SHE0331E	
190	SPB-3G	SHE0378E	n°2517				
200	SPB-3G	SHE0379E	n°2012				
	SPZ-3G	SHE0419E					
224	SPB-3G	SHE0380E	n°2517	224	SPZ-4G	SHE0332E	
	SPZ-3G	SHE0325E	n°2012				
250	SPZ-3G	SHE0326E		250	SPZ-4G	SHE0333E	
280	SPZ-3G	SHE0327E	n°2517	280	SPZ-4G	SHE0334E	
300	SPB-3G	SHE0381E	n°3020				
	SPB-3G	SHE0382E					
315	SPZ-3G	SHE0420E	n°2517				
355	SPB-3G	SHE0383E	n°3020				
400	SPB-3G	SHE0384E					
				450	SPA-4G	SHE0361E	n°3020

3 GROOVES

4 GROOVES

BELTS

BELTS SELECTION CHART

SPA			SPB			SPZ		
LENGTH IN MM	V BELT	GROOVED V BELT	LENGTH IN MM	V BELT	GROOVED V BELT	LENGTH IN MM	V BELT	GROOVED V BELT
775	B044E	B258E				660	...	B192E
800	...	B252E				687	...	B193E
850	...	B253E				710	...	B194E
875	...	B254E				730	B160E	...
900	...	B255E				750	B185E	...
925	...	B256E				775	...	B195E
950	B046E	...				800	B109E	B196E
957	...	B223E				825	...	B257E
1000	B158E	...				850	B127E	B198E
1030	...	B247E				875	B156E	B199E
1060	B162E	...				900	...	B200E
1120	B106E	B230E				925	B161E	B201E
1150	B157E	...				950	B108E	...
1180	B140E	...				962	...	B202E
1207	B149E	B229E	1250	B101E	...	975	B105E	...
1232	...	B231E	1280	B089E	...	987	...	B204E
1250	B152E	...	1360	B090E	...	1000	B150E	B205E
1307	B141E	B232E	1500	B155E	...	1030	B135E	B206E
1320	B043E	...	1600	B098E	...	1060	B114E	B207E
1360	B151E	...	1650	B125E	...	1087	B122E	B208E
1382	B137E	B233E	1700	B097E	...	1120	B115E	...
1400	B021E	B234E	1750	B099E	...	1125	...	B210E
1450	B144E	B235E	1800	B096E	...	1150	B187E	B211E
1500	B040E	...	1850	B146E	...	1180	...	B213E
1557	B176E	...	1900	...	B240E	1212	...	B214E
1600	B047E	...	1950	B129E	...	1220	B186E	...
1700	B042E	...	2000	...	B241E	1250	B116E	B217E
1800	B038E	...	2060	B130E	...	1280	...	B218E
1900	B041E	...	2120	B093E	...	1320	B107E	B226E
2000	B048E	...	2180	B168E	...	1360	B124E	B269E
2120	B050E	...	2240	...	B242E	1400	B133E	B164E
2240	B052E	B172E	2300	B088E	...	1450	...	B222E
2360	B037E	B173E	2360	...	B243E	1500	B120E	B227E
2500	B055E	B174E	2430	B087E	...	1550	B083E	B165E
2650	B056E	...	2500	...	B244E	1650	B126E	...
2720	B139E	...	2650	B073E	B250E	1700	B154E	...
2800	B057E	...	2800	B102E	B251E	1750	B153E	...
			2900	B086E	...	1800	B147E	...
			3000	B104E	...	1850	...	B236E
			3150	B077E	...	1900	...	B237E
			3250	B078E	...	1950	...	B238E
			3450	B079E	...	2000	...	B239E
						2120	...	B245E
						2240	B189E	B170E
						2360	B188E	B171E
						2500	...	B246E
						2650	...	B248E
						2800	...	B249E

...: Contact your Trane representative

BUSHINGS

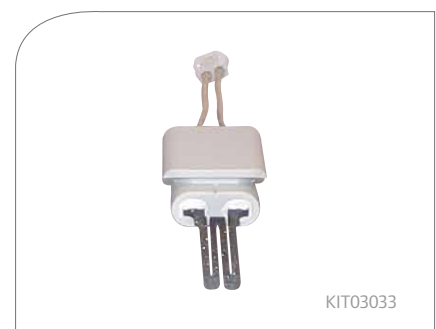
BUSHINGS SELECTION CHART

Bore diameter (mm)	Bushing type N° 1108	Bushing type N°1210	Bushing type N° 1610	Bushing type N° 2012	Bushing type N° 2517	Bushing type N° 3020
Trane ordering number						
14	BUS0145E	BUS0152E	BUS0160E	BUS0168E		
16	BUS0146E	BUS0153E	BUS0161E	BUS0169E		
19	BUS0147E	BUS0154E	BUS0162E	BUS0170E	BUS0178E	
20	BUS0148E	BUS0155E	BUS0163E	BUS0171E	BUS0179E	
24	BUS0149E	BUS0156E	BUS0130E	BUS0172E	BUS0180E	
25	BUS0150E	BUS0157E	BUS0129E	BUS0139E		BUS0189E
28	BUS0151E	BUS0158E	BUS0138E	BUS0173E	BUS0181E	BUS0190E
30		BUS0159E	BUS0164E	BUS0174E	BUS0182E	BUS0191E
35			BUS0165E	BUS0175E	BUS0135E	BUS0192E
38			BUS0133E	BUS0144E	BUS0183E	BUS0193E
40			BUS0166E	BUS0140E	BUS0136E	BUS0194E
42			BUS0167E	BUS0134E	BUS0184E	BUS0195E
45				BUS0176E	BUS0185E	BUS0196E
48				BUS0141E	BUS0142E	BUS0197E
50					BUS0143E	BUS0198E
55					BUS0186E	BUS0199E
60					BUS0187E	BUS0200
65					BUS0188E	BUS0201E
70						BUS0202E
75						BUS0203E

ROOFTOP ACCESSORIES

ACCESSORIES

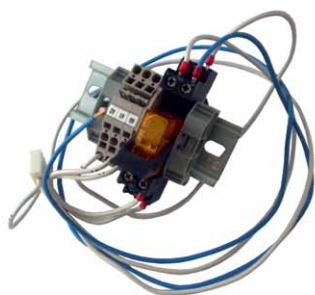
MODEL NUMBER	DESCRIPTION	ORDERING NUMBER
X13130447010	Kit ignitor burner gas	KIT03033
X10070192001	Sheave VH80 A14 1 groove-bore dia 3/8"	SHE01565
X13130454010	Control module including adapter	KIT08282
X13511193010	Temperature controller-Open 66F-Close 26F-SPST	CNT04672
X70671180017	Condenser Motor-0.75 Kw -400-460/50/1-Type: 5KCP395FL153CS-1125/0950 RPM-vertical mounting	MOT05717
X70671656010	Motor 0.75/1 HP-380-415/50-60/1-950/1125 RPM	MOT09192
X70421042010	Motor 3.70 kw-208-460/50-60/3-Type SC-Reversible rotation	MOT03765
X20600295010	Slinger-dia .50"	SLG00056
X20440035010	Slinger motor cover-dia 7.0x1.84 DEEP	SLG00123
X13651490020	Module unitary control-processor OTP	MOD01802
X13650882010	IGN card-Reliatel box	MOD01393
X13650867100	Module Reliatel Refrigeration Version 10.0-Dual circuit-cool/HP-Rooftop V3	MOD01848
X13650386030	Interface board thermostat-Type BAYCTHIO-01C-C	BRD00741
X13690206020	Defrost control-DFM-Module UCP (WCD, WCH...)	BRD00742
X10010235010	Bearing, rubber, cushioned-0.75 bore, permanently lubed, set screw locking device	BRC01578
X10010204017	Bearing, cartdrige, ball 1.0 bore	BRC00740
-	Kit burner fan 1/10 HP-208-230/60/1-3500/3000 RPM	KIT02591
X55010026350	Valve check-1/2" ID/1/2" OD-Lg 117 mm	VAL02189
X13650867140	Reliatel Refrigeration Module-Dual circuit-cool/HP	MOD02392
X13640419001	Smoke detector type lotus + 1W2C without battery (class 2)	CNT0341E
-	Kit gas valve, for 80,90,120 and 135 MBH heat exchangers, includes valve, elbow and nipple	KIT02048
-	Kit gas valve for 150-205-250 MBH heat exchangers, includes valve, elbow and nipple	KIT02049
X27016178037	Kit burner fan 1/20HP 208-230/60/1-3500/3000 RPM, includes fan with motor, sight glass and gasket	KIT02589
X27016178038	Kit burner fan 1/10HP 208-230/60/1-3500/3000 RPM, includes fan with motor, sight glass and gasket	KIT02590
X17040509001	Kit hoze adapter 1/4+1/8	KIT0414E
X01650527001	Option fan failure switch ROOFTOP V1-BAYDFPS004AB	KIT13704
X01650533001	Kit LTCl card-UCP BAYLTCl001AA	KIT07805
-	Kit plug mating connector includes wires	KIT08283
X01650535001	Motorized outside air damper type BAYDMPR057AA-RELIATEL	KIT08658
X01650534002	Kit economizer ROOFTOP V2 type: BAYECON090AA-RELIATEL	KIT08661
X01650534004	Kit economizer ROOFTOP V2 type: BAYECON092AA-RELIATEL	KIT08663
X13510685001	Fire thermostat ROOFTOP-BAYFRST003AA	KIT08666
X13540883001	Anti-freeze thermostat-no ROOFTOP-RELIATEL-BAYLOAM023A*	KIT08675
-	Kit belt drive tensioning gear hardware	KIT09200
X43661666197	Option card-RTOM RELIATEL ROOFTOP-BAYABRD001CA	KIT09433
X01650524002	Option LTCl-R CARD-ROOFTOP RELIATEL-BAYLTCl002B*	KIT09500
X01650528002	Kit oversized drive-3 HP ref: BAYHSMT097AC	KIT09701
X19995044005	Kit DAD-ROOFTOP smoke detector-all sizes	KIT1089E
-	Kit reversing valve+pipe WK* 400/500-R407C	KIT1241E
X01650532001	Kit CO2 sensor zone ref: BAYCO2K001BD	KIT15159
-	Kit exhaust fan ROOFTOP V2 RAL9002	KIT1301E
-	Kit reversing valve+pipe WK* 400-500-R410a	KIT1362E
X12001979001	Kit fault relay K3-ROOFTOP	KIT1391E
X01650532001	Kit CO2 sensor-BAYCO2K001BD	KIT15159
X01650532002	Kit CO2 duct sensor type: BAYCO2K003B*	KIT15160



ROOFTOP ACCESSORIES

ROOFTOP KITS

UNIT TYPE	UNIT SIZE	DESCRIPTION	KIT COMPONENTS	ORDERING NUMBER
All	All	Kit syphon	Syphon, threaded tubes, connection, assembly drawing	KIT0564E
All	All	Kit fire thermostat	Thermostat, components for assembly and wiring	KIT0567E
All	All	Kit clogged filter detector	Detector, switch, components for assembly and wiring	KIT0569E
V1	060	Electrical coil 17.4 Kw	Electrical heater, contactors, components for assembly and wiring, wiring diagrams	KIT1019E
V1	072-090	Electrical coil 27.0 kW-downflow	Electrical heater, contactors, components for assembly and wiring, wiring diagrams	KIT1020E
V1	102-120	Electrical coil 36.0 Kw	Electrical heater, contactors, components for assembly and wiring, wiring diagrams	KIT1021E
V1	072-090	Electrical coil 27.0 Kw-horizontal flow	Electrical heater, contactors, components for assembly and wiring, wiring diagrams	KIT1022E
V3	275-500	Kit speed variator 5.5 Kw with textil duct	Speed variator, switch, components for assembly and wiring	KIT1290E
V3	275-500	Kit speed variator 7.5 Kw with textil duct	Speed variator, switch, components for assembly and wiring	KIT1291E
V3	350-500	Kit speed variator 11.0 Kw with textil duct	Speed variator, switch, components for assembly and wiring	KIT1292E
V3	400/500	Kit speed variator 15.0 Kw with textil duct	Speed variator, switch, components for assembly and wiring	KIT1293E
V3	275-500	Kit speed variator 5.5 Kw	Speed variator, switch, components for assembly and wiring	KIT1081E
V3	275-500	Kit speed variator 7.5 Kw	Speed variator, switch, components for assembly and wiring	KIT1082E
V3	350-500	Kit speed variator 11.0 Kw	Speed variator, switch, components for assembly and wiring	KIT1083E
V3	400/500	Kit speed variator 15.0 Kw	Speed variator, switch, components for assembly and wiring	KIT1084E
All	All	Kit fault relay	Fault relay, communication card, module, components for assembly and wiring	KIT1390E
All	All	Option relay balanced phase-R407C	Relay, fuse and fuse holder	OPT0313E



HYDRAULIC

HYDRAULIC MODULE PUMP

MODEL NUMBER	NB POLE	SPEED (RPM)	HYDRAULIC MODULE	TYPE	ORDERING NUMBER
JRL 203-16/1-1	2	2900	HDM 1.1 + 150D + 200D	Double	PMP0103E
JRL 204-13/2.2	2	2900	HDM 2.2	Double	PMP0096E
JRL 205-15/4	-	2890	-	Double	PMP0108E
JRN 206-13/5.5	-	2900	-	Double	PMP0110E
JRN 208-13/5.5	-	2900	-	Double	PMP0126E
LRL 203-16/1-1	2	2900	HDM 1.1 + 150D + 200S	Simple	PMP0093E
LRL 204-13/2.2	2	2900	HDM 2.2	Simple	PMP0095E
LRL 205-15/4	-	2890	-	Simple	PMP0107E
Hydroson 402T	-	2900	Not self priming pump	-	PMP0065E
SHC20-134/2,2	-	2900	-	Simple	PMP0171E
IPL65/175-7.5/2-N66-400/50/3-460/60/3-7.5KW	-	2900	-	Single	PMP0144E
DPL65/175-7.5/2-N66-400/50/3-460/60/3-7.5KW	-	2900	-	Dual	PMP0145E
IPL80/135-7.5/2-N66-400/50/3-460/60/3-7.5KW	-	2900	-	Single	PMP0146E
IL80/160-11/2-N66-400/50/3-460/60/3-11KW	-	2900	-	Single	PMP0147E
DPL80/135-7.5/2-N66-400/50/3-460/60/3-7.5KW	-	2900	-	Dual	PMP0148E
DL80/160-11/2-N66-400/50/3-460/60/3-11KW	-	2900	-	Dual	PMP0149E
IPL65/140-5.5/2-N31-N66-400/50/3-460/60/3-5.5KW	-	2900	-	Single	PMP0150E
DPL65/140-5.5/2-N31-N66-400/50/3-460/60/3-5.5KW	-	2900	-	Dual	PMP0151E
IPL50/130-3/2-N31-N66-400/20/3-460/60/3-3.0KW	-	2900	-	Single	PMP0152E
IPL50/120-1.5/2-N66-400/50/3-460/60/3-1.5KW	-	2900	-	Single	PMP0153E
DPL50/130-3/2-N31-N66-400/50/3-460/60/3-3.0KW	-	2900	-	Dual	PMP0154E
DPL50/120-1.5/2-N66-400/50/3-460/60/3-1.5KW	-	2900	-	Dual	PMP0155E
IPL40/160-4/2-N66-400/50/3-460/60/3-4.0KW	-	2900	-	Single	PMP0156E
IPL40/160-5.5/2-N31-N66-400/50/3-460/60/3-5.5KW	-	2900	-	Single	PMP0157E
DPL40/160-4/2-N66-400/50/3-460/60/3-4.0KW	-	2900	-	Dual	PMP0158E
DPL40/160-5.5/2-N31-N66-400/50/3-460/60/3-5.5KW	-	2900	-	Dual	PMP0159E
IPL65/120-3/2-N31-N66-400/50/3-460/60/3-3.0KW	-	2900	-	Single	PMP0160E
IPL65/130-4/2-N31-N66-400/50/3-460/60/3-4.0KW	-	2900	-	Single	PMP0161E
DPL65/120-3/2-N31-N66-400/50/3-460/60/3-3.0KW	-	2900	-	Dual	PMP0162E
DPL65/130-4/2-N31-N66-400/50/3-460/60/3-4.0KW	-	2900	-	Dual	PMP0163E
IL80/150-11/2-N66-400/50/3-460/60/3-11KW	-	2900	-	Single	PMP0166E
IL80/170-15/2-N66-400/50/3-460/60/3-15KW	-	2900	-	Single	PMP0167E
DL80/150-11/2-N66-400/50/3-460/60/3-11KW	-	2900	-	Dual	PMP0168E
DL80/170-15/2-N66-400/50/3-460/60/3-15KW	-	2900	-	Dual	PMP0169E
SHC20-134/2.2-230-400/50/3-2.2KW	-	2900	-	Single	PMP0171E

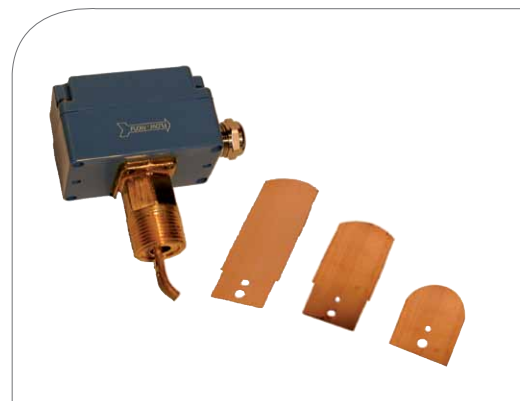
Replacement pump kit EUR062T-VGA-VXA :
PMP0065E+ADP0023E+VAL0383E+VAL01483+BUS0137E.



HYDRAULIC

FLOW SWITCH (BLADES)-10-10.3 BARS

BLADE DIAMETER	PRESSURE (BAR)	PRESSURE (PSIG)	PROTECTION RATING	ORDERING NUMBER
6"	10.3	150	IP 67	CNT0132E
50-80 mm	10	145	IP 65	CNT0282E
80 mm	10	145	IP 65	CNT0305E



FLOW SWITCH (ELECTRONIC)

REGULATION (CM3/S)	PRESSURE (BARS)	VOLTAGE (VAC)	PROTECTION RATING	ORDERING NUMBER
20	30	24	IP67	CNT0241E
40	30	24	IP67	CNT0242E
Connector cable pur-without halogen-length 5m	-	-	-	CON0101E
15	25	24	IP67	SWT03334
35	25	24	IP67	SEN01655
45	25	24	IP67	SEN01654
60	25	24	IP67	SWT03335



HYDRAULIC

ADJUSTABLE, EXTENDED LENGTH FLOW SENSOR U40100

DESCRIPTION	ORDERING NUMBER
Flow sensor, cabinet-mounted 90-240 VAC control monitor, 1/2" NPT adapter, cable and 3" DIN rail, wire-break indication if the sensor is disconnected or miss wired. Applications include chillers, heat exchangers, cooling and heating loops.	KIT12480



ACCESSORIES

DESCRIPTION	ORDERING NUMBER
Module flow sensor control	MOD02115
Sensor flow probe	SEN01318
Adaptor 1/2" NPT for flow probe	ADP01332
Cable micro DC , 10M length, pur jacket	CAB01408

VICTAULIC COUPLINGS

PART DESCRIPTION	ORDERING NUMBER
KIT 2 VICTAULIC COUPLING 5" PIPING LG 300	KIT0540E
KIT 2 VICTAULIC COUPLING 6" PIPING LG 300	KIT0541E
KIT 2 VICTAULIC COUPLING 8" PIPING LG 100	KIT0542E
KIT 2 VICTAULIC COUPLING 10" PIPING LG 300	KIT0543E
KIT 2 VICTAULIC COUPLING 12" PIPING LG 300	KIT0544E

FAN MOTORS AND WIRES

TRANE UNITS FAN MOTORS

FAMILY	TYPE	DIA [MM]	VOLTAGE [V]	FIXING	SPEED [RPM]	POWER [KW]	ORDERING NUMBER
Kit connector femelle-Fan motor GPF	-	-	-	Cable length 13 m	-	-	KIT1043E
Kit connector femelle-Fan motor GPF	-	-	-	Cable length 19 m	-	-	KIT1185E
Kit connector femelle-Fan motor GPF	-	-	-	Cable length 1 m	-	-	KIT1109E
Kit connector femelle-fan motor GPF	-	-	-	Cable length 5 m	-	-	KIT1331E
Scroll/Screw	GPF	762	380-420	Below plate	915/730	1.90/0.85	MOT0896E
Scroll/Screw	GPF	762	380-420	Below plate	690/560	0.80/0.50	MOT0897E
Scroll/Screw	GPF	762	380-420	Above plate	915/730	1.90/0.85	MOT0898E
Scroll/Screw	GPF	762	380-420	Above plate	690/560	0.80/0.50	MOT0899E
Unitary	4PR35	560	220-380	-	1000	0.47	MOT0619E
Scroll-Aquastream2	FE071	792	380	Above plate	680/510	0.42/0.30	FAN0304E
Scroll-Aquastream2	FE080	907	380	Above plate	680/530	1.05/0.77	FAN0305E
Scroll-Aquastream2	S710	710	380	Above plate	680/530	0.38/0.155	MOT0949E
Scroll-Aquastream2	S710	710	400	Above plate	900/700	1.00/0.55	MOT0950E
Scroll-Aquastream2	S800	800	380	-	700/550	1.00/0.40	MOT0964E
Recip.	4PB35	762	380-415	-	780/530	0.86/0.295	MOT0663E
CGAF Recip.	4PB35	762	380-415	-	1000/750	1.90/1.30	MOT0667E
CGAB-CGAD	4PR30	650	220-380	Below plate	1000	0.83	MOT0260E
CXAA	4PR30	650	220-380	Below plate	650	0.54	MOT0572E
CXAA	4PR30	650	220-380	Below plate	750	0.54	MOT0573E
CXAA	4PR30	650	220-380	Below plate	1000	1.40	MOT0302E
CGAV-CGAF	6PR24	650	220-380	Below plate	1500	1.10	MOT0659E
CGAB-9-58 KW	4PR20	560	220-380	-	1000	0.27	MOT0618E
CGAB-9-58 KW	4PR35	560	220-380	-	1000	0.47	MOT0619E
-	4PR35	650	380-415	-	770	0.75	MOT0735E
RTAC-RTAD	GPF1B	762	380-415	-	915/730	-	MOT1007E
RTAC-RTAD	GPF1B	762	380-415	-	915/730	-	MOT1009E
RTAC-RTAD	GPF1B	762	380-415	-	690/560	-	MOT1010E
RTAC-RTAD	CLIMAFAN	762	380-415	-	935/740	1.70/0.85	MOT1011E
CGAM-CXAM	SWEOPY JR-6	767	380-415	-	920	1	MOT1094E
CGAM-CXAM	SWEOPY JR-6A	767	380-415	-	920/740	1/0.5	MOT1095E
CGAM-CXAM	SKINNY IV-4	767	380-415	-	700	0.83	MOT1096E
CGAM-CXAM	SKINNY IV 4A	737	380-415	-	700/560	0.83/0.46	MOT1097E
CGAM-CXAM	FAN4-3	767	380-415	-	700	1.44	MOT1098E
CGAM-CXAM	MOTO-VENTILATEUR FAN4-3A	767	380-415	-	700/560	1.44/0.74	MOT1099E
CGAM-CXAM	SKINNY IV 7	737	380-415	-	920	1.94	MOT1100E
CGAM-CXAM	SWEOPY JR-5	767	380-415	-	700	0.45	MOT1109E
CGAM-CXAM	SWEOPY JR-5A	767	380-415	-	700/560	0.45/0.22	MOT1110E
CGAM-CXAM	GPF2B	762	380-415	-	930/750	1.7/0.85	MOT1143E
CGAM-CXAM	GPF2B	762	380-415	-	705/580	1/0.55	MOT1144E
CGAM-CXAM	SKINNY IV 7A	737	380-415	-	920/740	1.9/1	MOT1101E



FAN MOTORS AND WIRES

FAN WIRES FOR UNITS CGAM/CXAM

WIRE DESCRIPTION	NBR OF SPEED AND CONNECTOR TYPE	ORDERING NUMBER
FAN WIRE -LG 2500	1 SPEED-CONNECTOR 4 PINS	WIR0022E
FAN WIRE -LG 3500	1 SPEED-CONNECTOR 4 PINS	WIR0023E
FAN WIRE -LG 4500	1 SPEED-CONNECTOR 4 PINS	WIR0024E
FAN WIRE-LG 4000	1 SPEED-CONNECTOR 4 PINS	WIR0025E
FAN WIRE-LG 5000	1 SPEED-CONNECTOR 4 PINS	WIR0026E
FAN WIRE -LG 6000	1 SPEED-CONNECTOR 4 PINS	WIR0027E
FAN WIRE-LG 7000	1 SPEED-CONNECTOR 4 PINS	WIR0028E
FAN WIRE-LG 8000	1 SPEED-CONNECTOR 4 PINS	WIR0029E
FAN WIRE-LG 9000	1 SPEED-CONNECTOR 4 PINS	WIR0030E
FAN WIRE-LG 10000	1 SPEED-CONNECTOR 4 PINS	WIR0031E
FAN WIRE-LG 2500	2 SPEED-CONNECTOR 7 PINS	WIR0032E
FAN WIRE-LG 3500	2 SPEED-CONNECTOR 7 PINS	WIR0033E
FAN WIRE-LG 4500	2 SPEED-CONNECTOR 7 PINS	WIR0034E
FAN WIRE-LG 4000	2 SPEED-CONNECTOR 7 PINS	WIR0035E
FAN WIRE-LG 5000	2 SPEED-CONNECTOR 7 PINS	WIR0036E
FAN WIRE-LG 6000	2 SPEED-CONNECTOR 7 PINS	WIR0037E
FAN WIRE-LG 7000	2 SPEED-CONNECTOR 7 PINS	WIR0038E
FAN WIRE-LG 8000	2 SPEED-CONNECTOR 7 PINS	WIR0039E
FAN WIRE-LG 9000	2 SPEED-CONNECTOR 7 PINS	WIR0040E
FAN WIRE-LG 10000	2 SPEED-CONNECTOR 7 PINS	WIR0041E
FAN WIRE GPF	2 SPEED-CONNECTORS 7 PINS-LG2500	WIR0043E
FAN WIRE GPF	2 SPEED-CONNECTOR 7 PINS-LG4000	WIR0046E
FAN WIRE GPF	2 SPEED-CONNECTORS 7 PINS-LG5000	WIR0047E
FAN WIRE GPF	2 SPEED-CONNECTORS 7 PINS-LG6000	WIR0048E
FAN WIRE GPF	2 SPEED-CONNECTOR 7 PINS-LG7000	WIR0049E
FAN WIRE GPF	2 SPEED-CONNECTORS 7 PINS-LG8000	WIR0050E
FAN WIRE GPF	2 SPEED-CONNECTORS 7 PINS-LG9000	WIR0051E

SHOCK ABSORBER

NEOPRENE ISOLATORS AND SPRING MOUNT VIBRATION

MODEL NUMBER	MAX. LOAD (KG)	TYPE	COLOR	ORDERING NUMBER
CP 1D-900	408	Spring mount vibration	Green	MNT00368
CP 1D-1200	499	Spring mount vibration	Grey	MNT00369
CP 1D-1360	590	Spring mount vibration	White	MNT00400
C2P 1D-1350	544	Spring mount vibration	Purple	MNT00403
C2P 1D-1800	816	Spring mount vibration	Green	MNT00405
C2P 1D-2400	998	Spring mount vibration	Grey	MNT00406
C2P 1D-2720	1180	Spring mount vibration	White	MNT00407
RDP-3	340	Mount Neoprene isolator	Green	MNT00620
RDP-3	500	Mount Neoprene isolator	Grey	MNT00621
RDP-4	681	Mount Neoprene isolator	Black/Brown	MNT00622
RDP-4	1021	Mount Neoprene isolator	Red	MNT00645
RDP-4	1362	Mount Neoprene isolator	Green	MNT00646
RDP-4	1816	Mount Neoprene isolator	Grey	MNT00647
CP 1D-340	147	Spring mount vibration	Brown	MNT00364
CP 1D-510	204	Spring mount vibration	Red	MNT00365
CP 1D-675	272	Spring mount vibration	Purple	MNT00366
CP 1-27	340	Spring mount vibration	Orange	MNT00367



REFRIGERANT RECOVERY

DIABLO RESIDENTIAL LIGHT COMMERCIAL RECOVERY UNIT

MODEL NUMBER	DIRECT LIQUID (KG/MIN) (R22)	STEAM FLOW (KG/MIN) (R22)	PUSH-PULL (KG/MIN) (R22)	WEIGHT (KG)	MOTOR (HP)	POWER SUPPLY (V/HZ/PH)	DIMENSIONS	ORDERING NUMBER
Diablo	3.5	0.34	8.02	20.9	0.5	230/60/1-220/50/1	406x254x330	TOL03084

Refrigerant: All high pressure including R410a

MITYVAC LIGHT COMMERCIAL RECOVERY UNIT

MODEL NUMBER	STEAM FLOW (KG/MIN) (R22)	PUSH-PULL (KG/MIN) (R22)	WEIGHT (KG)	MOTOR (HP)	POWER SUPPLY (V/HZ/PH)	DIMENSIONS (MM)	ORDERING NUMBER
MRH-115-E	0.71	24.95	45.5	2.0	115/60/1 - 110/50/1	483x356x534	TOL01152
MRH-240-E	0.71	24.95	45.5	2.0	230/60/1 - 220/50/1	483x356x534	TOL01154

Refrigerant: R12/R22/R500/R502/R134a/MP39/R409/R507 and all high pressure refrigerants and blends

MITYVAC ASME PACKAGED RECOVERY/STORAGE UNIT

MODEL NUMBER	STEAM FLOW (KG/MIN) (R22)	PUSH PULL (KG/MIN) (R22)	WEIGHT (KG)	MOTOR (HP)	POWER SUPPLY (V/HZ/PH)	DIMENSIONS (MM)	ORDERING NUMBER
MRH-240-A-250	0.71	24.95	386	2.0	230/60/1 - 220/50/1	2388x1677x966	TOL01793
MRH-240-A-500	0.71	24.95	636	2.0	230/60/1 - 220/50/1	2871x1855x1143	TOL01795

Refrigerant: R12/R22/R500/R502/R134a/MP39/R409/R507 and all high pressure refrigerants and blends

EVAC COMMERCIAL HIGH PRESSURE RECOVERY UNIT

MODEL NUMBER	STEAM FLOW (KG/MIN) (R22)	PUSH PULL (KG/MIN) (R22)	WEIGHT (KG)	MOTOR (HP)	POWER SUPPLY (V/HZ/PH)	DIMENSIONS (MM)	ORDERING NUMBER
CRH-A-240-1-E	2.72	148	125	2.0	230/60/1 - 220/50/1	813x737x1143	TOL01161
CRH-A-460-3-E	2.72	148	125	2.0	460/60/3 - 415/50/3	813x737x1143	TOL01163

Refrigerant: R12/R22/R500/R502/R134a/MP39/R409/R507 and all high pressure refrigerants and blends

LOVAC LOW PRESSURE REFRIGERANT RECOVERY UNIT

MODEL NUMBER	STEAM FLOW (KG/MIN) (R22)	PUSH PULL (KG/MIN) (R22)	WEIGHT (KG)	MOTOR (HP)	POWER SUPPLY (V/HZ/PH)	DIMENSIONS (MM)	ORDERING NUMBER
CRL-240-E	0.3	45	96	2.0	230/60/1 - 220/50/1	674x470x902	TOL02068

Refrigerant: R11/R123 and low pressure refrigerants and blends

HANDI VAC LIGHT COMMERCIAL RECOVERY UNIT

MODEL NUMBER	MOTOR (HP)	DIRECT LIQUID (KG/MIN) (R22)	VAPOR RATE (KG/H) (R22)	PUSH-PULL (KG/MIN) (R22)	WEIGHT (KG)	CONNECTION (INCHES)	POWER SUPPLY (V/HZ/PH)	DIMENSIONS	ORDERING NUMBER
RTO-500-240-F	Dual 0.5	212.47	16.8	681	28.6	3/8"-1/4"	220-230/50-60/1	450x250x400	TOL01145

Refrigerant: R12/R22/R500/R502/R134a/MP39/R409/R507 and all high pressure refrigerants and blends



ACCESSORIES

TOOLS FOR SCREW UNIT CONTROL

DESCRIPTION	USE	ORDERING NUMBER
Tool screwdriver magnet	-	TOL01343
Cable assembly multi-connector	IPC BUS with connectors	CAB00896
Flat Cable 4 wires- Roll 152 m (500 ft)	RTAC - RTHD - CVGF	CAB00905
Cap end for flat cable	-	CAP00876
Kit butterfly connector	-	CON01166



PRODUCT FOCUS



The regulatory, environmental and economic conditions of our industrial situation are subject to deep and rapid changes.

Operating cost controls and compliance with new regulations are essential for the optimal management of your system.

Trane offers a complete range of highly modular environmental controllers suited to air conditioning systems.

F-GAS regulation

The European regulation EC No 842/2006, which came into force on 4 July 2007, aims to cut emissions of certain fluorinated gases that contribute to the greenhouse effect, including refrigerating fluids.

This regulation imposes regular inspections in order to check cooling systems for leaks.

For all cooling systems containing at least 300 kg of refrigerant fluid, it also requires the installation of a fixed refrigerant detector or an environmental controller.

Moreover, the use of leak detectors can divide twofold the frequency of mandatory inspections, irrespective of the size of the cooling system.

Automatic leak detector

An essential addition to your system

Why use an automatic leak detector?

- To meet the demands of the European F-Gas regulation
- To protect the environment by combating global warming and the reduction of the ozone layer
- To optimize maintenance and operating costs
- To avoid costly repairs that are made more expensive by the rising price of refrigerant gases
- To keep your equipment reliable

Specifications

- Management of one or more refrigerants: applicable to R22/R134a/R404A/R407C
- Up to 6 detection channels with two levels of sensitivity
- Manual or automatic reset
- Different alarms included: visual, audible, relays
- Power supply: 230 V/120 V-50 hz/60 hz
- Easy to install, use and maintain
- Excellent value for money

Trane also offers other types of environmental controllers for industrial applications and for large plant rooms.

For more information, contact your nearest Trane representative.

TEST EQUIPMENT

STAND ALONE REFRIGERANT LEAK DETECTOR SYSTEMS

PART DESCRIPTION	REFRIGERANT	CHANNELS	ORDERING NUMBER
Monitors	R134a, R404a, R407C, R22	2	MOD0156E
Monitors	R134a, R404a, R407C, R22	4	MOD0157E
Monitors	R134a, R404a, R407C, R22	6	MOD0158E
Sensors	R134a	-	SEN0117E
Sensors	R22	-	SEN0118E
Sensors	R404a	-	SEN0119E
Sensors	R407C	-	SEN0120E
Sensors housing IP66 Sensors	R134a	-	SEN0129E
For vent pipe outdoor/relief valve	R134a	-	SEN0130E



Premium refrigerant leak detector system:

- Refrigerant detection as low as 1 ppm
- Infrared photo acoustic technology
- Extended communication capabilities to BMS
- Available in self-contained or split configuration
- Available for most common refrigerants

Contact your local Trane representative to learn more.

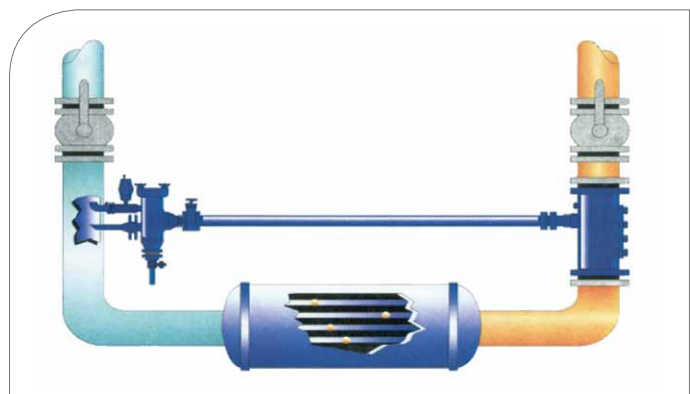


AUTOMATIC TUBE CLEANING

AUTOMATIC TUBE CLEANING SYSTEM

MODEL	ORDERING NUMBER
BES-3"	TOL0158E
BES-4"	TOL0159E
BES-5"	TOL0161E
BES-6"	TOL0160E
BES-8"	TOL0162E
BMS-5"	TOL0096E
BMS-6"	TOL0097E
BMS-8"	TOL0098E
BMS-10"	TOL0099E
BMS-12"	TOL0100E
BLS-5"	TOL0101E
BLS-6"	TOL0102E
BLS-8"	TOL0103E
BLS-10"	TOL0104E
BLS-12"	TOL0105E
BLS-14"	TOL0106E
BIS-8"	TOL0107E
BIS-10"	TOL0108E
BIS-12"	TOL0109E
BIS-14"	TOL0110E
BIS-16"	TOL0111E
BIS-18"	TOL0112E
BNS-10"	TOL0113E
BOS-10"	TOL0114E

Contact your Trane representative for selection.



AUTOMATIC TUBE CLEANING

SPARE PARTS FOR HYDROMECHANICAL SYSTEM

PART DESCRIPTION	ORDERING NUMBER
Injector Cover	TOL0115E
Injector Cover Oring	TOL0116E
Check Valve	TOL0117E
Check Valve Door's seal	TOL0118E
Check Valve Oring	TOL0119E
Injector's Butterfly Nut	TOL0120E
Injector's Stainless Washer	TOL0121E
Service Cover's Oring	TOL0122E
1 1/2" Electrical Valve (Butterfly Valve)	TOL0123E
2" Electrical Valve (Butterfly Valve)	TOL0124E
Complete PLC type E1010	TOL0125E
Programmed EPROM	TOL0126E
Fuse automatic cleaner	TOL0127E
Sponge Ball-14mm	TOL0128E
Sponge Ball-15mm	TOL0129E
Sponge Ball-16mm	TOL0130E
Sponge Ball-18mm	TOL0131E
Sponge Ball-21mm	TOL0132E
Sponge Ball-22mm	TOL0133E





Chiller Health Check Program

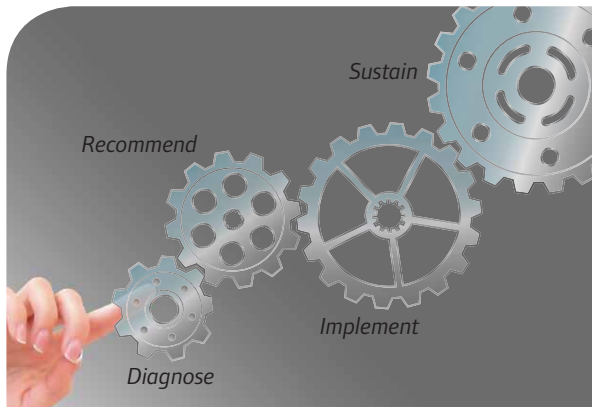
Customer benefits

Reliable, efficient performance and lower operational costs are directly linked to how your Trane chiller is maintained. The Trane Chiller Health Check Program is a step-by-step evaluation of the current performance status of your equipment. With the right information to hand, your Trane service expert will analyze the current status and provide you with a detailed report and suggestions for chiller performance enhancement.

Main features

Trane offers either a basic or comprehensive program. Both programs include an oil sample analysis in a laboratory to evaluate the presence of wear on the components and compare the current oil parameters to original specifications. The comprehensive program includes the eddy current and vibration analyses to verify the internal condition of the heat exchanger tube and the compressor respectively. The additional thermographic inspection provides immediate status of the electrical panel.

Any signs of deterioration will be noted during the different inspections. Your Trane expert will be able to suggest the best solution to fix any issues and quickly restore your Trane chiller to optimal operating conditions.



Trane Boost

Cooling System Optimization Program

Customer benefits

- Operating cost management
- Utility cost management
- High efficiency system
- Carbon footprint reduction
- Resources allocation
- Risk management

Main features

A transparent, logical and fact-based four step process is employed to ensure optimum return on investment with cooling systems demonstrating operational improvement around: Components, Systems and Controls.

The Trane Boost program is offered in four distinct levels, depending on the scale and complexity of the project. Customers know they are embarking on a process tailored to the specific needs of their plant and organizational goals.

COMPONENTS

Equipment retrofit solutions

- Chiller replacement
- Pump VFD retrofit
- Cooling tower VFD retrofit
- Heat rejection replacement
- Heat rejection retrofit

SYSTEMS

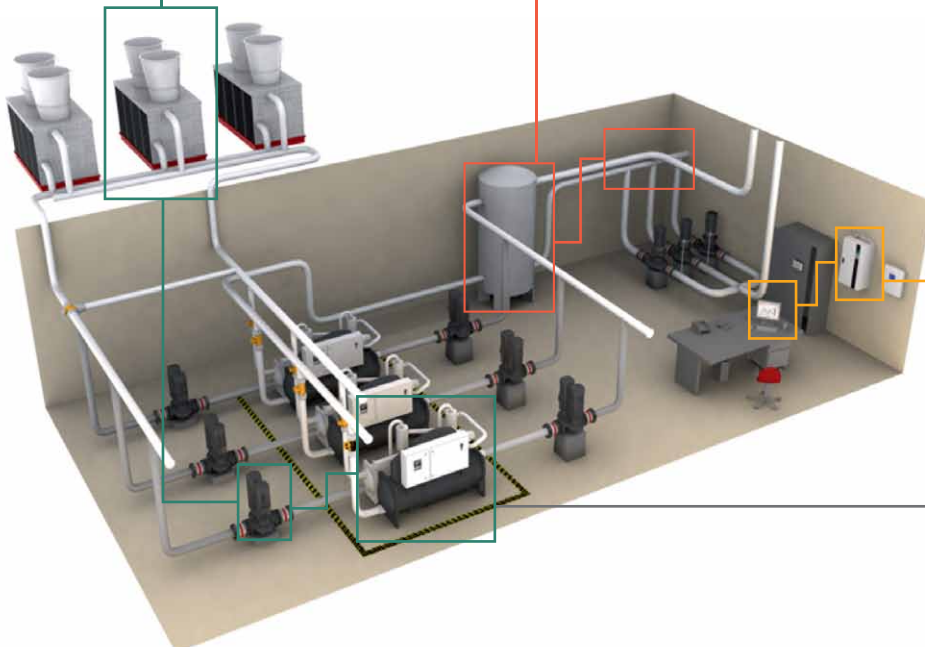
Water system upgrades

- Decoupled System
- Variable primary flow
- Free cooling
- Heat recovery
- Thermal storage

CONTROLS

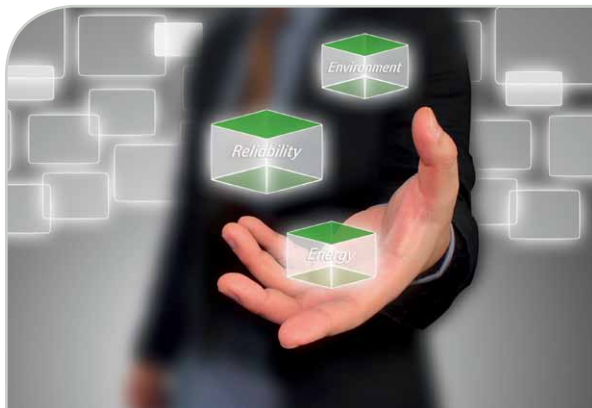
Chiller plant control

- Chiller Plant Scheduler
- Chilled Water Reset
- Chiller Plant Sequencer
- Chiller Plant Manager
- Chiller Plant Optimizer



Trane Care™ Services

Chiller enhancement solutions for reliability, energy and environment



Trane Care™ Services

Comprehensive HVAC service solutions for high-performance buildings

Customer benefits

- Optimize your system performance
- Protect your investment

Main features

No matter where your equipment is in its lifecycle, Trane Care™ can restore and modernize your installation to help your building perform at its best and sustain it day in and day out:

- Renewal services
- Technology upgrades
- Replace/repair decision consultations
- Reprioritization

Trane will turn your building systems into business advantages in terms of reliability, energy and environment.

Reliability Solutions

Our service experts will identify where your HVAC installation is not performing to its full potential and offer the solutions that will restore like-new reliability.

Energy Solutions

Trane Care™ offers cost-effective solutions to optimize the energy efficiency of your existing system and generate immediate savings.

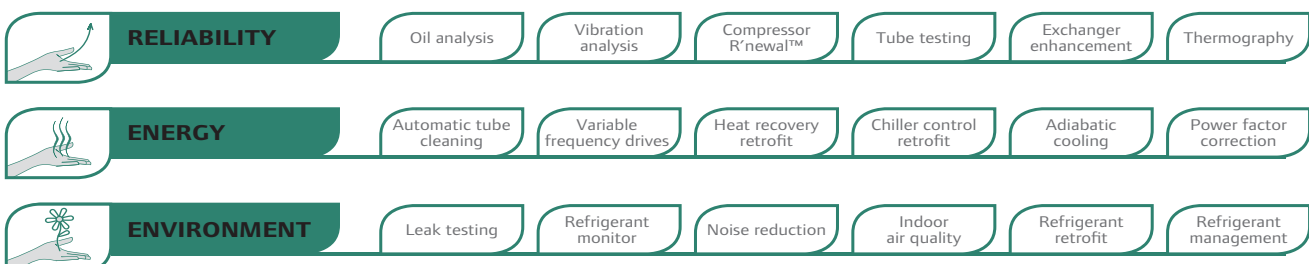
Environment Solutions

Trane Care™ can provide solutions that reduce the impact of buildings and systems on the environment and human health.

A Trane Care™ upgrade of your HVAC installation will provide peak performance:

- Right level of indoor air quality
- Reduced operating costs
- Extended equipment life
- Compliance with governmental and environmental regulations

We have the same goal: your business success.



TRANE CARE™ OPTIMIZES RELIABILITY

Our experts can find out where and why your HVAC system does not work at optimal capacity and propose solutions that will restore reliability equivalent to a new system.

OIL ANALYSIS

Measures the oil's moisture, acidity, and metal concentration levels.

If unacceptable wear conditions develop, a change in the characteristics of the oil will be evident. Minor problems can be detected and repaired before they become major problems. This analysis is recommended for all compressor types, on all types of chiller technology.

Our specialists provide a bill of health of your system using the Tribology method:

- 3 paths of research
- 5 levels of alarms



<http://www.youtube.com/watch?v=KoGNBbnMWqs>



VIBRATION ANALYSIS

Every piece of HVAC equipment with rotating components has its own vibration signature.

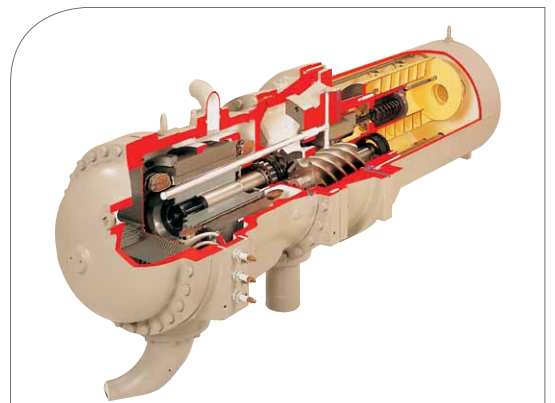
If a problem occurs, the signature of the vibrations changes. These variations can be used to identify developing problems (bearing wear, shaft imbalance, loose screws, etc.). Significant savings can be made on major repairs amounting to as much as 50% of the cost of replacing a compressor.



COMPRESSOR R'NEWAL™

Renew... to become new or as new; to begin again - this is what Trane can do for the most

expensive component of your chiller. Compressor R'newal™ is an investment that will deliver Trane's original commitment of reliability and performance. It is backed by a long term warranty on the compressor. Also any chiller that undergoes a compressor R'newal™ will automatically qualify for coverage on a Trane Select™ Contract, which further enhances your level of assurance.



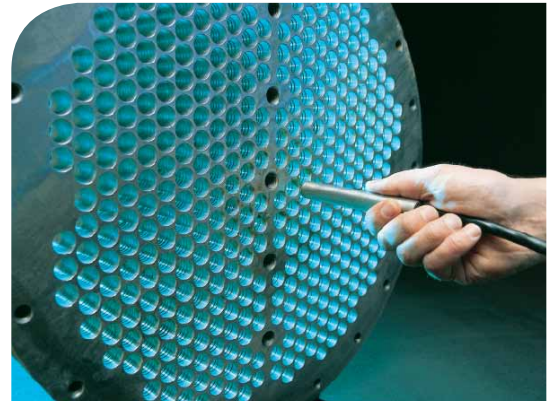
TUBE TESTING

The condition of the tubes in heat exchangers has a direct impact on the efficiency of your cooler.

Depending on its size, a heat exchanger can contain hundreds or thousands of tubes that are subject to mechanical stress and chemical corrosion. Tubular exchangers make an essential contribution to the performance of a cooler. But standard maintenance techniques are inefficient when it comes to testing the tube bundles.

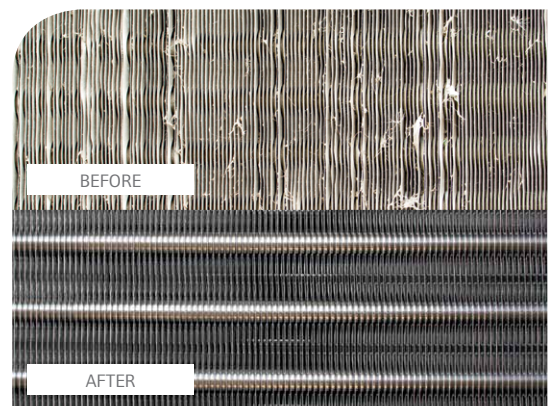
Equipped with the latest technological tools, Trane can detect, locate and record internal and external corrosion, deposits, wear or cracking before their consequences start to damage your installation.

This Eddy current tube analysis takes the shape of a detailed report containing all the data, photographs of defective zones and, more importantly, recommendations on the technical actions and practices required to correct the situation.



EXCHANGER ENHANCEMENT

Atmospheric pollution can cause corrosion on fin tube heat exchangers, which will result in reduced equipment life. Trane can enhance your fin tube heat exchangers to provide protection against corrosion whilst maintaining their original performance. In addition, on shell and tube type heat exchangers, Trane can provide ceramic coating to water boxes to reduce the formation of dangerous scale and corrosion.



THERMOGRAPHY

Trane Thermography is a predictive tool to identify potential problems before they happen. It is a proven way to detect and diagnose

problems in a completely non-invasive manner while your plant is in operation.

Early detection allows more time for appropriate maintenance.

- Thermal imaging is the non-contact detection and measurement of thermal energy emitted from an object.
- Thermal imagers allow you to easily inspect electrical equipment, electrical circuits, mechanical equipment, electronics, and other applications



TRANE CARE™ ENHANCES ENERGY USE

Trane Care™ Services propose economic solutions to enhance the energy performance of your system and to make immediate savings.

AUTOMATIC TUBE CLEANING

Fouled heat exchangers can decrease system effectiveness dramatically, for instance just 1 mm of scale can result in a 45% reduction in efficiency. For this reason, all properly maintained heat exchangers are cleaned regularly. Imagine a system that cleans your exchangers while they are working. Trane can provide you with such a system, ensuring that your system always operates at peak efficiency and saving on maintenance costs and downtime.

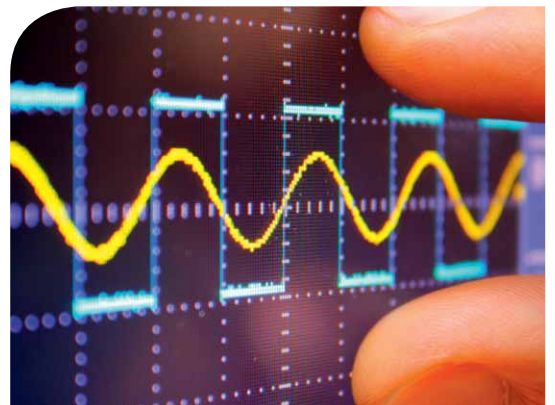


VARIABLE FREQUENCY DRIVES

An easy way to cut right into an energy bill is to adapt the motor speed of the fans and pumps that are components of your system. Buildings do not face the same loads 24/7 so why should fans and pumps always run at the same speed? Trane can retrofit existing fans and pumps with variable frequency drives so that their speed will adjust to the exact needs and load of your building and in return reduce energy use.

Built into a BMS, the VarioTrane variable frequency drives provide a complete solution for all applications:

- Lower sound level
- More precise regulation
- Flow adjustment without TA valve
- Sustained flow despite filter clogging



HEAT RECOVERY RETROFIT

Letting waste heat from air cooled chillers escape into the atmosphere is akin to throwing money away. Trane can retrofit your existing air cooled chiller so that the waste heat is recovered and reused to heat or preheat water used for either domestic hot water or process applications.



CHILLER CONTROL
RETROFIT

The Trane Tracer AdaptiView™ upgrade improves your operator productivity, increases chiller operation efficiency, gives you the same operator interface on your old and new chillers, and supports new communication protocol -all backed by Trane.

Built on the reputation and reliability of the Trane centrifugal chiller, this innovation enhances new or legacy Trane chillers with an easy to use color graphic display and advanced control technology.



ADIABATIC COOLING

Adiabatic cooling reduces the temperature of the air entering the coil, facilitating improvement of equipment reliability and efficiency. The concept is based on the natural thermodynamic properties of water. Water is sprayed intermittently onto large non-metallic mesh panels installed in front of the heat rejection coils of chillers, remote condensers, rooftops, etc.

The evaporating water creates the cooling effect, lowering the air temperature before it reaches the condenser coil. The system is designed for versatility, simple installation and economical operation.



POWER FACTOR
CORRECTION

Utility companies often impose an economic penalty on customers with low power factors as they must generate and supply surplus current.

This increases the energy costs. By installing Trane's factory designed capacitor panel directly on the chiller, the power factor is improved.

Trane Power Factor Correction is the environmentally responsible, green solution that will help you:

- Reduce your energy costs
- Increase your system distribution capacity
- Improve power quality
- Achieve a greener system
- Comply with local regulation



TRANE CARE™ PROTECTS THE ENVIRONMENT

Trane Care™ Services can provide solutions that reduce the impact of buildings and systems on the environment and human health.

LEAK TESTING

Refrigerant leaks into the atmosphere may contribute not only to ozone depletion but also to global warming effects. Trane's leak testing procedures can ensure that your system's refrigerant stays where it belongs, in the system. With Trane leak testing you are not only protecting the environment but also the effectiveness of your system; in addition it will help you to remain in compliance with relevant laws and regulations.



REFRIGERANT MONITOR

The range of Trane refrigerant monitors provide reliable leak detection for equipment in mechanical plant rooms and give early warning of refrigerant leaks.

Trane refrigerant monitors are designed to operate in conjunction with Trane equipment controls and send remote alarms and even activate building ventilation systems.

Trane refrigerant monitors can control your environment and meet applicable regulations:

- Mono- and multi-fluid detection
- Visual and audible alerts
- Possibility of using remotely controlled alarm relays



NOISE REDUCTION

Sometime between the initial purchase of your system and the need to replace it the sound attenuation level required may change. Trane can provide noise retrofit kits for most Trane chillers, this reduces their noise levels and as such improves the surrounding acoustics.



INDOOR
AIR QUALITY

Good IAQ contributes to a safe, healthy, productive, and comfortable working environment. To maximize occupant comfort and your building rental/selling value, Trane IAQ program provides efficient filtration, ventilation, contaminant source control, and humidity management.



REFRIGERANT
RETROFIT

Trane refrigerant retrofit is a comprehensive refrigerant compatibility service consisting of materials, engineering analysis and technical support. A refrigerant retrofit allows the chiller to be compliant with current legislation and to be optimized to meet your current system needs without having to go through the costs associated with full chiller replacement.



REFRIGERANT
MANAGEMENT

We recognize that the choice of management is not always easy as several factors have to be considered and balanced in order to make the right decision. Trane is committed to providing our customers with equipment and systems that are environmentally responsible and good for business. Trane service representatives are experts in offering the right refrigerant for the right application at the right time, while remaining compliant to all regulations.





Trane Controls Services

Comprehensive service contracts for building controls systems

Customer benefits

Maintaining 100% fitness:

- Contain operational costs
- Ensure system reliability
- Avoid waste and losses
- Comply with environmental regulations
- Gain the needed peace of mind to focus on your core business or activity

Regular controls servicing results in continuous comfort for the occupants, and the lowest possible operating and maintenance costs. By regularly monitoring and adjusting your existing controls system Trane will also enable you to operate without emergency failures.

Trane has the expertise to optimize the safety, comfort, and efficiency of all the mechanical and electronic components of your HVAC system.

We can help you manage your building systems to ensure their optimum operation. With a Trane Controls Service plan, each passing minute generates energy savings and improves your cost of ownership.

Main features

Your building is a complex, interrelated set of systems.

Over time lots of small changes can cause major shifts in comfort, efficiency and safety levels. Trane maintenance for building controls systems is your strategy to keep everything optimized.

Our trained specialists can advise you on what impact any change may have. They can also monitor your system and identify clues, such as a 1°C deviation as being caused by a 10% leakage elsewhere in the system. Most importantly, our engineers will treat your building controls system as an integrated whole and when changes are necessary they will take appropriate programming actions to ensure there are no negative effects elsewhere in the system.



Trane Intelligent Services

Advanced capabilities in remote building system monitoring

Customer benefits

Trane Intelligent Services help minimize the occurrence and severity of system failures through early detection of alarms and performance issues. With automated monitoring that's always on, and Technical Specialists watching non-stop, nothing slips by unnoticed.

If you need to consolidate or centralize your Operations, Trane Intelligent Services can deliver the standardized procedures and consistent outcomes you want, at a fraction of the costs you would incur to set up the capabilities in-house. Trane invests in leading technologies and top-notch personnel, so you don't have to.

Main features

Trane Intelligent Services is available in three options that provide increasing levels of functionality.

Level 1: Alarm notification

A custom notification procedure assures rapid response to system faults.

Level 2: Active monitoring

The benefits of level 1, plus alarm management, timely diagnosis and intelligent mobilization of local resources.

Level 3: Building performance

Provides the benefits of levels 1 and 2, plus open gateway to Trane expertise and recommendations to keep your building operating at peak efficiency. Close monitoring and analysis of the system trends by Trane analytical programs and technical specialists elevates decisions regarding HVAC system performance to a strategic business level.



Trane Rental Services

Temporary cooling solutions

Customer benefits

Trane Rental Services can provide fast, safe and cost-effective solutions using modern and reliable equipment.

Fast

Because speed of unit installation can be extremely important to your business, all Trane rental equipment has been fitted with enhancements that save installation time.

Safe and reliable

Whilst getting your system up and running is of utmost importance to your operation, safety and reliability of the equipment provided are equally important. You can depend on Trane modern equipment.

Cost-effective

Whatever the application, Trane can provide a cost-effective temporary cooling solution for your organization until you are able to repair or replace your existing equipment.

Main features

A temporary cooling system will keep your business operational whilst you repair, replace or upgrade your existing system.

Our team of account managers, engineers, service technicians and logistics professionals can rapidly transform the equipment you need into a smoothly functioning system that will exceed your expectations.

For more information on Trane Rental Services, visit:
www.trane-chiller-rental.eu/



To watch our Rental Services video visit:
<http://www.youtube.com/watch?v=a3wqcmPb1Hg&feature=youtu.be>





Trane Academy

Become an expert

Expertise within your reach

In response to our customers' needs, Trane Academy offers modular and progressive courses that cover every aspect of air conditioning and refrigeration.

The subjects covered range from high-capacity liquid chillers to low-capacity air conditioning systems, plus air handling systems and terminals.

There is a clear focus on regulation, new technologies and equipment operation. Made-to-measure courses can be designed on demand in addition to the sessions available in our yearly calendar. In this case, the location is selected in order to provide the means required, either on site at the Trane Academy on the production site in Golbey or on one of the other sites, such as Dardilly.

Trane Academy is located close to the production sites, test labs and design offices, which means that it benefits from the skills and experience of our engineers tasked with developing and monitoring our units.

All the courses are permanently updated and supplemented by practical exercises on products and simulators. Extensive training resources are available to trainees in order to quickly learn all the technologies that are a part of our business. Courses and tests are run by a team of permanent staff members.

Trainees receive complete documentation at the start of the courses.

A certificate is awarded at the end of each course. Our organisation is officially registered, so all our courses qualify for further training programs.

For additional information, contact:

Trane Academy
Soci t  TRANE
1 rue des Am riques
88190 GOLBEY
France
Tel. : +33 (0)3 29 31 74 14
Fax: +33 (0)3 29 31 76 80
Email: Pascale_Fremiot@trane.com

PART NUMBER INDEX

PART NUMBER	PAGE	PART NUMBER	PAGE	PART NUMBER	PAGE	PART NUMBER	PAGE
ADP00012	43	B160E	159	BKR0078E	58	BRD0132E	73
ADP00082	46	B161E	159	BKR0082E	57	BRD0133E	73
ADP0063E	66	B162E	159	BKR0084E	59	BRD0134E	73
ADP0063E	69	B164E	159	BKR0088E	58	BRD0135E	73
ADP0063E	71	B165E	159	BKR0089E	58	BRD0136E	73
ADP01332	165	B168E	159	BKR0090E	58	BRD0137E	73
ANL0006E	115	B170E	159	BKR0091E	58	BRD01670	81
ANL0008E	115	B171E	159	BKR0092E	58	BRD01672	81
ANL0009E	115	B172E	159	BKR0093E	58	BRD01713	81
ANL0010E	115	B173E	159	BKR0094E	58	BRD01721	82
ASS0150Z	45	B174E	159	BKR0095E	58	BRD02079	82
ASS0155E	127	B176E	159	BKR0096E	58	BRD02102	66
ASS0161E	127	B185E	159	BKR0097E	58	BRD02889	81
ASS0166E	127	B186E	159	BKR0101E	59	BRD02893	84
B021E	159	B187E	159	BKR0103E	57	BRD02944	66
B037E	159	B188E	159	BKR0104E	57	BRD02946	66
B038E	159	B189E	159	BKR0105E	57	BRD02947	66
B040E	159	B192E	159	BKR0106E	57	BRD02948	66
B041E	159	B193E	159	BKR0108E	59	BRD03359	84
B042E	159	B194E	159	BKR0109E	59	BRD03542	66
B043E	159	B195E	159	BKR0111E	59	BRD03827	82
B044E	159	B196E	159	BKR0112E	59	BRD04279	66
B046E	159	B198E	159	BKR0118E	59	BRG00046	46
B047E	159	B199E	159	BKR0120E	59	BRG00066	46
B048E	159	B200E	159	BKR0121E	59	BRG00289	42
B050E	159	B201E	159	BKR0126E	57	BRG00290	42
B052E	159	B202E	159	BKR0127E	57	BRG00740	161
B055E	159	B204E	159	BKR0128E	57	BRG01174	46
B056E	159	B205E	159	BKR0129E	57	BRG01578	161
B057E	159	B206E	159	BKR0134E	59	BRK0076E	144
B073E	159	B207E	159	BKR0140E	57	BRK0081E	125
B077E	159	B208E	159	BKR0141E	57	BTN0012E	152
B078E	159	B210E	159	BKR0142E	57	BUS0129E	160
B079E	159	B211E	159	BKR0143E	59	BUS0130E	160
B083E	159	B213E	159	BKR0144E	59	BUS0133E	160
B086E	159	B214E	159	BKR0146E	59	BUS0134E	160
B087E	159	B217E	159	BKR0150E	57	BUS0135E	160
B088E	159	B218E	159	BOD0001E	102	BUS0136E	160
B089E	159	B222E	159	BOD0002E	102	BUS0138E	160
B090E	159	B223E	159	BOD0003E	102	BUS0139E	160
B093E	159	B226E	159	BOD0004E	102	BUS0140E	160
B096E	159	B227E	159	BOD0005E	102	BUS0141E	160
B097E	159	B229E	159	BOD0006E	102	BUS0142E	160
B098E	159	B230E	159	BOD0007E	102	BUS0143E	160
B099E	159	B231E	159	BOD0008E	102	BUS0144E	160
B101E	159	B232E	159	BOD0010E	102	BUS0145E	160
B102E	159	B233E	159	BOD0011E	102	BUS0146E	160
B104E	159	B234E	159	BOD0012E	102	BUS0147E	160
B105E	159	B235E	159	BOD0013E	102	BUS0148E	160
B106E	159	B236E	159	BON0005E	147	BUS0149E	160
B107E	159	B237E	159	BOT0004E	135	BUS0150E	160
B108E	159	B238E	159	BOT0005E	135	BUS0151E	160
B109E	159	B239E	159	BOT0006E	135	BUS0152E	160
B114E	159	B245E	159	BOT0007E	135	BUS0153E	160
B115E	159	B246E	159	BOT0008E	135	BUS0154E	160
B116E	159	B247E	159	BOT0011E	133	BUS0155E	160
B120E	159	B248E	159	BOT0011E	135	BUS0156E	160
B122E	159	B249E	159	BOT0012E	132	BUS0157E	160
B124E	159	B252E	159	BOT0012E	135	BUS0158E	160
B125E	159	B253E	159	BOT0013E	135	BUS0159E	160
B126E	159	B254E	159	BOT0018E	115	BUS0160E	160
B127E	159	B255E	159	BOX0012E	76	BUS0161E	160
B129E	159	B256E	159	BRD0043E	82	BUS0162E	160
B130E	159	B257E	159	BRD0071E	70	BUS0163E	160
B133E	159	B258E	159	BRD0072E	70	BUS0164E	160
B135E	159	B269E	159	BRD00741	161	BUS0165E	160
B137E	159	BKR0023E	59	BRD00742	161	BUS0166E	160
B139E	159	BKR0025E	59	BRD00933	81	BUS0167E	160
B140E	159	BKR0027E	59	BRD00935	81	BUS0168E	160
B141E	159	BKR0029E	59	BRD00936	81	BUS0169E	160
B144E	159	BKR0040E	57	BRD01016	82	BUS0170E	160
B146E	159	BKR0046E	59	BRD01114	81	BUS0171E	160
B147E	159	BKR0056E	59	BRD0117E	71	BUS0172E	160
B149E	159	BKR0057E	59	BRD0119E	132	BUS0173E	160
B150E	159	BKR0059E	59	BRD0119E	133	BUS0174E	160
B151E	159	BKR0060E	59	BRD0120E	132	BUS0175E	160
B152E	159	BKR0062E	58	BRD0120E	133	BUS0176E	160
B153E	159	BKR0063E	58	BRD0121E	132	BUS0178E	160
B154E	159	BKR0064E	58	BRD0121E	133	BUS0179E	160
B155E	159	BKR0065E	58	BRD0122E	133	BUS0180E	160
B156E	159	BKR0072E	59	BRD0123E	132	BUS0181E	160
B157E	159	BKR0076E	58	BRD0130E	73	BUS0182E	160
B158E	159	BKR0077E	58	BRD0131E	73	BUS0183E	160

PART NUMBER	PAGE	PART NUMBER	PAGE	PART NUMBER	PAGE	PART NUMBER	PAGE
BUS0184E	160	CNT0033E	90	COL0395E	95	COM0597E	14
BUS0185E	160	CNT0038E	89	COL0396E	95	COM0598E	14
BUS0186E	160	CNT0041E	87	COL12849	94	COM0599E	14
BUS0187E	160	CNT0078E	89	COL15650	38	COM0600E	14
BUS0188E	160	CNT01015	152	COL15650	49	COM0601E	14
BUS0189E	160	CNT0102E	88	COM0001Z	31	COM0602E	14
BUS0190E	160	CNT0116E	78	COM0002Z	31	COM0603E	14
BUS0191E	160	CNT0117E	78	COM0003Z	31	COM0604E	14
BUS0192E	160	CNT0126E	88	COM0005Z	31	COM0605E	14
BUS0193E	160	CNT0127E	88	COM0008Z	31	COM0606E	14
BUS0194E	160	CNT0130E	78	COM0009Z	31	COM0607E	14
BUS0195E	160	CNT0132E	66	COM0010Z	31	COM0608E	14
BUS0196E	160	CNT0132E	164	COM0011Z	31	COM0609E	14
BUS0197E	160	CNT0135E	66	COM0012Z	31	COM0610E	14
BUS0198E	160	CNT0135E	90	COM0013Z	31	COM0611E	14
BUS0199E	160	CNT0146E	88	COM0014Z	31	COM0612E	14
BUS0200E	160	CNT0147E	88	COM0015Z	31	COM0613E	14
BUS0201E	160	CNT0148E	88	COM0016Z	31	COM06159	30
BUS0202E	160	CNT0153E	89	COM0017Z	31	COM06162	30
BUS0203E	160	CNT0165E	71	COM0018Z	31	COM06165	30
CAB00028	77	CNT0186E	131	COM0019Z	31	COM06167	30
CAB00029	77	CNT0186E	133	COM0020Z	31	COM0616E	22
CAB0007E	84	CNT0216E	131	COM0021Z	31	COM06172	17
CAB0008E	84	CNT0216E	133	COM0027Z	31	COM06173	17
CAB0036E	132	CNT0224E	131	COM0028Z	31	COM06182	30
CAB00896	170	CNT0224E	133	COM0029Z	31	COM06185	30
CAB00900	81	CNT0238E	87	COM0110E	37	COM06189	30
CAB00905	170	CNT0241E	66	COM0111E	37	COM0618E	22
CAB01149	66	CNT0241E	164	COM0118E	36	COM0618E	132
CAB01155	66	CNT0242E	66	COM0119E	36	COM0620E	22
CAB01206	83	CNT0242E	164	COM0120E	36	COM0620E	132
CAB01408	165	CNT0271E	78	COM0121E	36	COM0621E	27
CAG0001E	100	CNT0272E	78	COM0122E	36	COM0622E	27
CAG0002E	100	CNT0274E	88	COM0141E	18	COM06257	17
CAG0003E	100	CNT0282E	164	COM0166E	36	COM0626E	14
CAG0004E	100	CNT0294E	66	COM0167E	36	COM06364	30
CAG0005E	100	CNT0294E	87	COM0349E	18	COM0642E	26
CAG0006E	100	CNT0295E	87	COM03748	20	COM0642E	133
CAG0007E	100	CNT0305E	66	COM03758	20	COM0643E	26
CAG0008E	100	CNT0305E	164	COM03759	20	COM0644E	26
CAG0009E	100	CNT0306E	87	COM0379E	32	COM0645E	26
CAG0010E	100	CNT0307E	131	COM0380E	32	COM0646E	26
CAG0011E	100	CNT0308E	133	COM0381E	32	COM0648E	26
CAG0012E	100	CNT0309E	133	COM0382E	18	COM0648E	133
CAG0013E	100	CNT0310E	132	COM0383E	18	COM0649E	26
CAG0014E	100	CNT0310E	133	COM0384E	18	COM0650E	26
CAG0015E	100	CNT0311E	132	COM0386E	18	COM0650E	132
CAG0016E	100	CNT0311E	133	COM0388E	18	COM0650E	133
CAP00876	170	CNT0334E	23	COM03919	20	COM0651E	26
CBT01625	72	CNT0335E	23	COM0394E	18	COM0651E	132
CDS0629E	106	CNT0336E	73	COM0398E	32	COM0651E	133
CDS0630E	106	CNT0340E	87	COM0399E	32	COM0652E	26
CDS0631E	106	CNT0341E	161	COM0400E	18	COM0653E	26
CDS0632E	106	CNT04672	161	COM0401E	18	COM0654E	26
CDS0651E	133	CNT05044	43	COM0402E	18	COM0655E	26
CDS0654E	133	CNT06619	78	COM0403E	18	COM0662E	22
CDS0655E	133	COL0002Z	45	COM0404E	15	COM0663E	22
CDS0656E	133	COL0074E	91	COM0405E	15	COM0664E	22
CDS0657E	106	COL0074E	94	COM0406E	15	COM0665E	15
CDS0658E	106	COL0079E	64	COM0407E	18	COM0666E	15
CDS0659E	106	COL0080E	64	COM0408E	17	COM0667E	15
CDS0660E	106	COL0091E	64	COM0409E	17	COM0668E	15
CDS0710E	106	COL0092E	64	COM0410E	17	COM0669E	15
CDS0711E	106	COL0094E	64	COM0411E	18	COM0670E	15
CDS0712E	106	COL01639	38	COM0412E	18	COM0671E	15
CDS0738E	133	COL01639	49	COM0418E	18	COM0672E	15
CDS0739E	131	COL0165E	64	COM0419E	32	COM0673E	30
CDS0740E	131	COL0166E	64	COM0420E	32	COM0674E	30
CDS0741E	131	COL0168E	64	COM0421E	32	COM0675E	30
CDS0742E	131	COL0169E	91	COM0422E	32	COM0676E	14
CDS0743E	131	COL0171E	91	COM0423E	32	COM0677E	32
CDS0744E	131	COL0171E	94	COM0424E	32	COM0678E	32
CHM0005E	120	COL0173E	94	COM0425E	32	COM0679E	32
CHM0007E	120	COL0175E	94	COM0426E	32	COM0680E	32
CHM0008E	120	COL0181E	64	COM0427E	32	COM0681E	32
CHM0009E	120	COL0183E	64	COM0446E	17	COM0682E	32
CHM0010E	120	COL0184E	64	COM0447E	21	COM0683E	32
CLP0011E	144	COL0185E	64	COM0448E	30	COM0684E	32
CLP0030E	141	COL0193E	94	COM0449E	30	COM0687E	14
CLP0030E	142	COL0308E	127	COM0552E	32	COM0688E	14
CLP0036E	91	COL0321E	92	COM0562E	30	COM0689E	22
CNT00004	49	COL03780	38	COM0563E	30	COM0691E	17
CNT0002E	89	COL03780	49	COM0565E	32	COM0693E	17
CNT0002Z	45	COL0392E	93	COM0594E	14	COM06995	28
CNT0008E	88	COL0392E	95	COM0595E	14	COM0702E	26
CNT0009E	87	COL0393E	95	COM0596E	14	COM0703E	26

PART NUMBER	PAGE	PART NUMBER	PAGE	PART NUMBER	PAGE	PART NUMBER	PAGE
COM0705E	22	CON01166	170	CTR0207E	62	CTR0359E	63
COM0705E	132	COR00020	111	CTR0209E	62	CTR0360E	63
COM0706E	26	COR00049	111	CTR0210E	62	CTR0361E	63
COM0707E	26	COR0004E	111	CTR0213E	62	CTR0362E	63
COM07172	28	COR0008E	112	CTR0221E	63	DHY0004E	110
COM0740E	14	COR0009E	111	CTR0222E	63	DHY00101	111
COM0741E	14	COV00004	49	CTR0241E	64	DHY00103	111
COM0742E	14	COV0018E	150	CTR0242E	64	DHY00105	111
COM07475	19	COV0026E	150	CTR0243E	64	DHY00107	111
COM07477	19	CPR0007E	151	CTR0244E	64	DHY00109	111
COM07478	19	CPR0008E	151	CTR0247E	62	DHY00111	110
COM07482	19	CPR0010E	151	CTR0250E	62	DHY00115	110
COM07490	19	CPT0008E	143	CTR0251E	62	DHY00116	110
COM07494	19	CPT00091	21	CTR0252E	62	DHY00120	110
COM07499	19	CPT0025E	143	CTR0253E	64	DHY00131	109
COM0754E	23	CPT0025E	144	CTR0254E	64	DHY00137	109
COM0755E	23	CPT0026E	143	CTR0255E	62	DHY00140	108
COM0756E	25	CPT0027E	143	CTR0256E	62	DHY00143	109
COM0757E	25	CPT0027E	144	CTR0257E	62	DHY00144	108
COM0758E	26	CPT0028E	143	CTR0258E	62	DHY00145	109
COM0759E	26	CPT0029E	143	CTR0259E	62	DHY00146	108
COM0766E	22	CPT0030E	143	CTR0260E	62	DHY00149	109
COM0768E	22	CPT0031E	143	CTR0261E	62	DHY00150	108
COM0771E	22	CPT0032E	143	CTR0262E	62	DHY00151	109
COM0772E	22	CPT0032E	144	CTR0263E	62	DHY00152	108
COM0774E	22	CPT0033E	143	CTR0266E	62	DHY00154	108
COM0775E	22	CPT0034E	143	CTR0267E	62	DHY00156	109
COM0776E	22	CPT0036E	143	CTR0268E	62	DHY00157	108
COM0788E	22	CPT0037E	143	CTR0269E	24	DHY00158	109
COM0791E	132	CPT0039E	143	CTR0269E	62	DHY00159	108
COM0793E	132	CPT0043E	143	CTR0270E	62	DHY00161	108
COM0794E	133	CPT0048E	143	CTR0271E	62	DHY00166	109
COM0796E	132	CPT0052E	143	CTR0272E	24	DHY00167	108
COM0796E	133	CPT0053E	143	CTR0272E	62	DHY00169	108
COM0798E	132	CPT0054E	143	CTR0273E	62	DHY00170	108
COM0799E	132	CPT0055E	143	CTR0274E	62	DHY00172	108
COM0800E	132	CPT0056E	143	CTR0275E	62	DHY00177	109
COM0803E	22	CPT0058E	143	CTR0276E	62	DHY00178	109
COM0807E	32	CPT0063E	143	CTR0277E	62	DHY00179	109
COM0808E	32	CPT0065E	143	CTR0278E	62	DHY00180	109
COM0809E	32	CPT0066E	143	CTR0279E	62	DHY00181	109
COM0810E	32	CPT0067E	143	CTR0283E	63	DHY00182	109
COM0811E	32	CTC0011E	65	CTR0284E	63	DHY0021E	110
COM0812E	32	CTC0014E	65	CTR0285E	63	DHY0022E	110
COM0813E	32	CTC0022E	65	CTR0286E	63	DHY0033E	110
COM0814E	32	CTC0023E	65	CTR0287E	63	DHY0034E	110
COM0815E	28	CTC0029E	65	CTR0291E	63	DHY0037E	133
COM0817E	28	CTC0035E	65	CTR0292E	63	DHY0038E	132
COM0818E	28	CTC0036E	65	CTR0295E	63	DHY0038E	133
COM0819E	28	CTC0042E	65	CTR0296E	63	DOR02240	66
COM0820E	28	CTC0047E	65	CTR0297E	63	ELF0001E	67
COM08244	28	CTC0048E	65	CTR0298E	63	ELM0015	112
COM08479	20	CTC0050E	65	CTR0299E	24	ELM0016E	112
COM08482	20	CTC0051E	65	CTR0300E	24	ELM0017E	112
COM08485	20	CTC0052E	65	CTR0312E	65	ELM0022E	133
COM08535	20	CTC0055E	65	CTR0315E	65	ELM0023E	131
COM08538	20	CTC0056E	65	CTR0316E	65	ELM01042	112
COM08540	20	CTC0058E	65	CTR0318E	63	ELM01405	112
COM08542	20	CTC0059E	65	CTR0320E	63	EVPO585E	106
COM08838	28	CTC0060E	65	CTR0322E	63	EVPO588E	107
COM08847	28	CTC0065E	65	CTR0323E	63	EVPO589E	107
COM09045	26	CTC0066E	65	CTR0326E	63	EVPO590E	107
COM09051	26	CTC0073E	65	CTR0327E	63	EVPO591E	107
COM09550	28	CTC0074E	65	CTR0328E	63	EVPO597E	106
COM09636	28	CTC0075E	65	CTR0329E	62	EVPO598E	106
COM09657	28	CTR0058E	24	CTR0330E	62	EVPO599E	106
COM0974E	133	CTR0058E	63	CTR0331E	62	EVPO600E	106
COM09854	25	CTR0061E	63	CTR0332E	65	EVPO603E	107
COM10038	28	CTR0062E	63	CTR0333E	62	EVPO604E	107
COM10053	28	CTR0083E	63	CTR0334E	62	EVPO605E	107
COM10720	28	CTR0085E	63	CTR0335E	62	EVPO635E	107
COM9002E	26	CTR0086E	63	CTR0336E	62	EVPO636E	107
COM9004E	26	CTR0087E	63	CTR0337E	62	EVPO640E	107
COM9006E	26	CTR0088E	63	CTR0338E	62	EVPO641E	107
COM9111E	25	CTR0113E	63	CTR0339E	62	EVPO642E	107
COM9121E	25	CTR0139E	62	CTR0340E	62	EVPO643E	107
COM9131E	25	CTR0140E	62	CTR0341E	63	EVPO644E	107
COM9141E	25	CTR0141E	62	CTR0343E	63	EVPO645E	107
COM9151E	25	CTR0162E	63	CTR0344E	63	EVPO646E	107
COM9161E	25	CTR0166E	63	CTR0348E	63	EVPO647E	107
COM9171E	26	CTR0171E	63	CTR0349E	63	EVPO648E	107
CON0006Z	45	CTR0184E	62	CTR0354E	63	EVPO649E	107
CON00204	66	CTR0185E	62	CTR0355E	63	EVPO650E	107
CON00204	73	CTR0186E	63	CTR0356E	63	EVPO651E	107
CON0101E	164	CTR0188E	63	CTR0357E	63	EVPO652E	107
CON01166	72	CTR0206E	62	CTR0358E	63	EXC0001E	106

PART NUMBER	PAGE	PART NUMBER	PAGE	PART NUMBER	PAGE	PART NUMBER	PAGE
EXC0002E	106	FAN0212E	141	FLR0195E	127	FLR0449E	139
EXC0003E	106	FAN0213E	140	FLR0196E	122	FLR0450E	139
EXC0004E	106	FAN0213E	141	FLR0199E	123	FLR0451E	139
EXC0005E	106	FAN0275E	131	FLR0200E	123	FLR0452E	139
EXC0006E	106	FAN0277E	131	FLR0201E	123	FLR0453E	139
EXC0012E	107	FAN0278E	131	FLR0202E	123	FLR0454E	139
EXC0013E	107	FAN0279E	131	FLR0203E	123	FLR06679	139
EXC0015E	107	FAN0281E	131	FLR0204E	123	FLR06681	139
EXC0017E	106	FAN0284E	133	FLR0205E	123	FLR06682	139
EXC0018E	106	FAN0285E	133	FLR0206E	123	FLR06683	139
EXC0019E	106	FAN0286E	133	FLR0207E	123	FLR06838	139
EXC0020E	107	FAN0304E	166	FLR0208E	123	FUS0095E	53
EXC0021E	107	FAN0305E	166	FLR0209E	123	FUS0098E	53
EXC0022E	106	FAN0313E	127	FLR0210E	123	FUS0099E	53
EXC0023E	106	FAN0316E	127	FLR0215E	127	FUS0100E	53
EXC0024E	106	FAN0360E	145	FLR0216E	129	FUS0108E	54
EXC0025E	107	FAN0361E	145	FLR0217E	129	FUS0109E	54
EXC0035E	106	FAN0362E	145	FLR0218E	129	FUS0111E	53
EXC0096E	106	FAN0363E	145	FLR0219E	129	FUS0113E	53
EXC0097E	106	FAN0368E	131	FLR0220E	129	FUS0115E	53
EXC0098E	106	FAN0369E	131	FLR0239E	126	FUS0116E	54
EXC0165E	107	FAN0378E	146	FLR0240E	126	FUS0117E	53
EXC0169E	106	FIN0012E	120	FLR0241E	126	FUS0118E	53
EXC0170E	106	FLR0002E	121	FLR0243E	126	FUS0119E	53
EXC0171E	106	FLR0003E	121	FLR0244E	126	FUS0122E	54
EXC0172E	106	FLR0004E	46	FLR0245E	126	FUS0124E	53
EXC0173E	106	FLR0004E	121	FLR0246E	126	FUS0127E	53
EXC0174E	106	FLR0043E	122	FLR0277E	126	FUS0128E	53
EXC0175E	106	FLR0044E	122	FLR0278E	126	FUS0129E	53
EXC0176E	106	FLR0045E	122	FLR0279E	112	FUS0135E	53
EXC0177E	106	FLR0046E	122	FLR0288E	133	FUS0136E	53
EXC0178E	106	FLR0047E	122	FLR0289E	133	FUS0137E	53
EXC0179E	106	FLR0048E	121	FLR0290E	133	FUS0139E	53
EXC0180E	106	FLR00779	112	FLR0291E	133	FUS0140E	53
EXC0250E	107	FLR00779	113	FLR0293E	136	FUS0141E	53
EXC0251E	107	FLR0078E	121	FLR0293E	137	FUS0142E	53
EXC0252E	107	FLR0085E	121	FLR0295E	136	FUS0144E	53
EXC0253E	107	FLR0086E	121	FLR0296E	136	FUS0145E	53
FAN0192E	140	FLR0087E	121	FLR0297E	137	FUS0148E	53
FAN0192E	141	FLR0088E	121	FLR0299E	136	FUS0149E	53
FAN0192E	142	FLR0089E	121	FLR0299E	137	FUS0150E	53
FAN0193E	140	FLR0090E	128	FLR0300E	136	FUS0155E	54
FAN0193E	141	FLR00952	113	FLR03018	113	FUS0156E	54
FAN0193E	142	FLR0095E	121	FLR0301E	136	FUS0157E	54
FAN0194E	140	FLR0096E	121	FLR0301E	137	FUS0165E	54
FAN0194E	141	FLR0099E	121	FLR0302E	137	FUS0167E	54
FAN0194E	142	FLR0100E	121	FLR0303E	137	FUS0172E	54
FAN0195E	140	FLR0101E	121	FLR0304E	137	GAG0012E	104
FAN0195E	141	FLR0103E	122	FLR0305E	137	GAG0024E	104
FAN0195E	142	FLR0104E	122	FLR0326E	127	GAG0046E	104
FAN0196E	140	FLR0105E	122	FLR03405	139	GAG0047E	104
FAN0196E	141	FLR01353	112	FLR03434	112	GAG0048E	104
FAN0196E	142	FLR0138E	124	FLR0359E	124	GAG0049E	104
FAN0197E	140	FLR0138E	139	FLR0359E	125	GAG0050E	104
FAN0197E	141	FLR01398	128	FLR0360E	124	GAG0053E	104
FAN0198E	140	FLR01399	128	FLR0361E	124	GAG0069E	104
FAN0198E	141	FLR0139E	124	FLR0362E	124	GAG0071E	104
FAN0199E	140	FLR0139E	139	FLR0363E	124	GKT0002Z	45
FAN0199E	141	FLR01400	128	FLR0363E	125	GKT0016Z	45
FAN0200E	140	FLR01401	128	FLR0364E	124	GKT0017Z	45
FAN0200E	141	FLR0140E	124	FLR0364E	125	GKT0018Z	45
FAN0200E	142	FLR0140E	139	FLR0365E	124	GKT0034Z	45
FAN0201E	140	FLR0141E	124	FLR0365E	125	GKT0035Z	45
FAN0201E	141	FLR0141E	139	FLR0366E	131	GKT0037Z	45
FAN0201E	142	FLR0142E	124	FLR0367E	131	GKT00988	43
FAN0202E	140	FLR0142E	139	FLR0368E	131	GKT00989	43
FAN0202E	141	FLR0143E	124	FLR0369E	131	GKT02686	49
FAN0202E	142	FLR0143E	139	FLR0370E	131	GKT02701	38
FAN0203E	140	FLR0144E	124	FLR0371E	131	GKT02705	38
FAN0203E	141	FLR0144E	139	FLR0372E	131	GKT02707	38
FAN0203E	142	FLR0145E	124	FLR0373E	131	GKT02714	38
FAN0204E	140	FLR0145E	139	FLR0374E	131	GKT02719	46
FAN0204E	141	FLR0146E	124	FLR0375E	131	GKT02721	49
FAN0204E	142	FLR0146E	139	FLR0376E	131	GKT02768	51
FAN0205E	140	FLR0147E	124	FLR0377E	131	GKT03229	33
FAN0205E	141	FLR0147E	139	FLR0437E	125	GKT03232	33
FAN0205E	142	FLR0148E	128	FLR0439E	139	GKT03647	41
FAN0206E	140	FLR0151E	122	FLR0440E	139	GKT03647	42
FAN0206E	141	FLR0152E	122	FLR0441E	139	GKT03656	43
FAN0207E	140	FLR0153E	122	FLR0442E	139	GKT03658	42
FAN0207E	141	FLR0182E	122	FLR0443E	139	GKT03659	41
FAN0208E	140	FLR01880	128	FLR0444E	139	GKT03659	42
FAN0208E	141	FLR0191E	127	FLR0445E	139	GKT03660	41
FAN0209E	140	FLR0192E	127	FLR0446E	139	GKT03660	46
FAN0209E	141	FLR0193E	127	FLR0447E	139	GKT03661	43
FAN0212E	140	FLR0194E	127	FLR0448E	139	GKT03662	42

PART NUMBER	PAGE	PART NUMBER	PAGE	PART NUMBER	PAGE	PART NUMBER	PAGE
GKT03663	40	INS00199	43	KIT0610E	154	KIT1081E	162
GKT03669	51	INS00200	43	KIT0611E	154	KIT1082E	162
GKT03670	46	INS0030E	23	KIT0612E	154	KIT1083E	162
GKT03826	113	INS0031E	23	KIT0613E	154	KIT1084E	162
GKT03852	113	INS0064E	23	KIT0614E	154	KIT1089E	161
GKT04138	47	INS0065E	23	KIT0615E	154	KIT1096E	148
GKT04140	49	INS0066E	23	KIT0616E	154	KIT1097E	148
GKT04141	50	INS02690	51	KIT0617E	154	KIT1103E	76
GKT04150	41	INS02691	51	KIT0618E	154	KIT1109E	166
GKT04151	41	KEY0031E	65	KIT0619E	154	KIT1111E	33
GKT04151	51	KIT00040	44	KIT06279	33	KIT1111E	34
GLS0001E	103	KIT00139	46	KIT06279	34	KIT1113E	29
GLS00030	40	KIT00140	46	KIT06282	33	KIT1115E	29
GLS00034	49	KIT00141	46	KIT06337	43	KIT1116E	29
GLS0003E	103	KIT00142	46	KIT06604	33	KIT1118E	29
GLS0011E	103	KIT00180	48	KIT06604	34	KIT1119E	29
GLS0013E	103	GLS00686	44	KIT06659	43	KIT1120E	29
GLS0018E	103	KIT00988	21	KIT06841	34	KIT1125E	29
GLS0027E	103	KIT02048	161	KIT07614	113	KIT1126E	29
GLS0028E	103	KIT02049	161	KIT07618	33	KIT1185E	166
GLS0029E	103	KIT02065	46	KIT07618	34	KIT1186E	148
GLS0047E	132	KIT02066	46	KIT07620	33	KIT1187E	148
GLS0048E	133	KIT02067	46	KIT07620	34	KIT1198E	151
GLS0049E	103	KIT02068	38	KIT07805	161	KIT1204E	29
GLS0050E	103	KIT02069	38	KIT08032	33	KIT1208E	29
GLS0052E	103	KIT02309	33	KIT08061	33	KIT1225E	151
GLS0053E	103	KIT02330	44	KIT08061	34	KIT1226E	72
GRD0070E	150	KIT02331	44	KIT08282	161	KIT1228E	72
GRD0133E	150	KIT02333	44	KIT08283	161	KIT1229E	72
GRD0178E	150	KIT02338	44	KIT08323	33	KIT1230E	72
GRD0179E	150	KIT02589	161	KIT08323	34	KIT1241E	161
GRL0023E	127	KIT02590	161	KIT08325	33	KIT1243E	148
GRM00242	27	KIT02591	161	KIT08325	34	KIT1244E	148
HD0005Z	45	KIT03033	161	KIT08328	33	KIT1245E	148
HNG0007E	150	KIT0335E	92	KIT08328	34	KIT1246E	148
HSE0050E	131	KIT0336E	92	KIT08331	33	KIT1247E	148
HSE0050E	133	KIT0337E	92	KIT08331	34	KIT12480	165
HSE0052E	133	KIT0338E	92	KIT08333	33	KIT1250E	148
HSE0052E	135	KIT0398E	29	KIT08333	34	KIT1251E	148
HSE0054E	132	KIT0399E	29	KIT08334	33	KIT1252E	148
HTR0001Z	45	KIT0400E	29	KIT08334	34	KIT1253E	148
HTR00174	19	KIT0401E	51	KIT08335	33	KIT12559	66
HTR00176	19	KIT0402E	51	KIT08335	34	KIT12559	72
HTR0050E	16	KIT0403E	51	KIT08658	161	KIT1266E	71
HTR0050E	19	KIT0404E	44	KIT08661	161	KIT1270E	148
HTR0066E	19	KIT0405E	44	KIT08663	161	KIT1271E	148
HTR0109E	133	KIT0406E	44	KIT08666	161	KIT1282E	73
HTR0115E	133	KIT0407E	51	KIT08675	161	KIT1290E	162
HTR0116E	23	KIT0408E	51	KIT0877E	146	KIT1291E	162
HTR0116E	24	KIT0409E	51	KIT0888E	29	KIT1292E	162
HTR0117E	23	KIT0414E	161	KIT0889E	29	KIT1293E	162
HTR0117E	24	KIT0467E	29	KIT0890E	44	KIT1295E	82
HTR0120E	27	KIT0468E	29	KIT0891E	44	KIT1301E	161
HTR0121E	27	KIT0469E	29	KIT0892E	44	KIT1321E	148
HTR01222	21	KIT0521E	127	KIT0895E	135	KIT1322E	148
HTR01226	21	KIT0522E	152	KIT0902E	44	KIT1323E	151
HTR0122E	132	KIT0524E	82	KIT0903E	44	KIT1324E	33
HTR0122E	133	KIT0540E	165	KIT0908E	148	KIT1324E	34
HTR01566	38	KIT0541E	165	KIT0909E	148	KIT1330E	33
HTR01566	46	KIT0542E	165	KIT09200	161	KIT1330E	34
HTR01614	21	KIT0543E	165	KIT0942E	135	KIT1331E	166
HTR0177E	153	KIT0544E	165	KIT09433	161	KIT1332E	133
HTR0178E	153	KIT0546E	146	KIT0943E	135	KIT1332E	135
HTR0179E	153	KIT0547E	146	KIT0945E	34	KIT1333E	132
HTR0180E	153	KIT0548E	146	KIT09500	161	KIT1333E	135
HTR0181E	153	KIT0549E	146	KIT09700	33	KIT1334E	135
HTR0183E	153	KIT0550E	146	KIT09700	34	KIT1335E	135
HTR0189E	153	KIT0552E	148	KIT09701	161	KIT1336E	135
HTR0190E	153	KIT0564E	162	KIT0991E	92	KIT1337E	135
HTR02047	34	KIT0565E	127	KIT0992E	92	KIT1345E	115
HTR0213E	132	KIT0567E	162	KIT0993E	92	KIT1346E	33
HTR0218E	153	KIT0569E	162	KIT1015E	151	KIT1346E	34
HTR0243E	153	KIT0596E	154	KIT1019E	162	KIT1347E	33
HTR0244E	153	KIT0597E	154	KIT1020E	162	KIT1347E	34
HTR0245E	153	KIT0598E	154	KIT1021E	162	KIT1348E	33
HTR0246E	153	KIT0599E	154	KIT1022E	162	KIT1348E	34
HTR0247E	153	KIT0600E	154	KIT1043E	166	KIT1349E	71
HTR0248E	153	KIT0601E	154	KIT1045E	29	KIT1358E	71
HTR03384	21	KIT0602E	154	KIT1047E	29	KIT1360E	73
HTR04353	21	KIT0603E	154	KIT1054E	29	KIT1362E	161
HUS0044E	141	KIT0604E	154	KIT1056E	29	KIT13704	161
HUS0044E	142	KIT0605E	154	KIT1062E	29	KIT13723	72
HUS0045E	141	KIT0606E	154	KIT1064E	29	KIT1390E	162
HUS0045E	142	KIT0607E	154	KIT1071E	29	KIT1391E	161
INS00197	43	KIT0608E	154	KIT1072E	29	KIT1392E	33
INS00198	43	KIT0609E	154	KIT1073E	29	KIT1395E	33

PART NUMBER	PAGE	PART NUMBER	PAGE	PART NUMBER	PAGE	PART NUMBER	PAGE
KIT1403E	29	MOD01422	72	MOT0619E	166	MOT1146E	155
KIT1408E	29	MOD01422	84	MOT0627E	156	MOT1148E	155
KIT1435E	29	MOD01423	66	MOT0628E	156	MOT1149E	155
KIT1439E	29	MOD01423	72	MOT0629E	156	MOT1150E	155
KIT1440E	29	MOD01424	66	MOT0659E	166	MOT1154E	145
KIT1481E	33	MOD01424	72	MOT0663E	166	MOT1155E	145
KIT1481E	34	MOD01425	66	MOT0667E	166	MOT1156E	145
KIT1482E	33	MOD01425	72	MOT0681E	147	MOT1157E	145
KIT1482E	34	MOD01540	72	MOT0735E	166	MOT1163E	155
KIT1483E	33	MOD0156E	172	MOT0763E	150	MOT12298	145
KIT1483E	34	MOD0157E	172	MOT0785E	144	MOT12299	145
KIT1484E	33	MOD0158E	172	MOT0786E	144	MOT12300	145
KIT1484E	34	MOD01628	83	MOT0804E	144	MOT12301	145
KIT15159	161	MOD01668	83	MOT0807E	144	MOT12302	145
KIT15160	161	MOD0169E	71	MOT0881E	144	MOT12303	145
KIT15548	83	MOD01702	83	MOT0896E	166	MOT12304	145
KIT15634	83	MOD0170E	71	MOT0897E	166	MOT12305	145
LBL0031E	78	MOD0171E	71	MOT0898E	166	MOT12511	145
LBL0032E	78	MOD01786	83	MOT0899E	166	MOT12745	145
LNR00033	48	MOD01802	161	MOT0916E	150	MOT12746	145
LNR00034	48	MOD0181E	131	MOT09192	161	MOT12747	145
LNR00036	48	MOD0181E	133	MOT0919E	155	NU00258	51
LNR00038	39	MOD01840	83	MOT0939E	131	NU000970	39
LNR00039	39	MOD01848	161	MOT0940E	131	NU000970	47
LOG0009E	81	MOD0184E	66	MOT0941E	131	OIL00003	116
LUG00004	43	MOD0184E	71	MOT0949E	166	OIL00022	116
LUG00011	43	MOD0185E	66	MOT0950E	166	OIL0014E	116
MAG00015	40	MOD0185E	71	MOT0964E	166	OIL0020E	116
MAG00015	46	MOD0188E	66	MOT0973E	150	OIL0021E	116
MDA0017E	70	MOD0188E	72	MOT0977E	127	OIL0023E	116
MDC0048E	136	MOD01898	82	MOT0978E	127	OIL0025E	116
MFL0004E	85	MOD0190E	81	MOT0979E	147	OIL0027E	116
MFL0006E	85	MOD01919	83	MOT0982E	147	OIL0048E	116
MFL0007E	85	MOD01923	83	MOT0986E	145	OIL0050E	116
MFL0013E	85	MOD01924	83	MOT0986E	146	OIL0057E	116
MFL0015E	85	MOD02047	83	MOT0987E	145	OIL0058E	116
MFL0016E	85	MOD02051	82	MOT0988E	145	OIL0059E	116
MNT00364	168	MOD02071	83	MOT0988E	146	OIL0060E	116
MNT00365	168	MOD02085	84	MOT0998E	145	OIL0062E	116
MNT00366	168	MOD02092	66	MOT0999E	145	OPT0001E	36
MNT00367	168	MOD02092	72	MOT1000E	145	OPT0002E	36
MNT00368	168	MOD02093	84	MOT1007E	166	OPT0003E	36
MNT00369	168	MOD02115	165	MOT1009E	166	OPT0006E	36
MNT00400	168	MOD02392	161	MOT1010E	166	OPT0007E	36
MNT00403	168	MOT0001Z	45	MOT1011E	166	OPT0008E	36
MNT00405	168	MOT0002Z	45	MOT10303	145	OPT0012E	37
MNT00406	168	MOT0003Z	45	MOT10304	145	OPT0013E	37
MNT00407	168	MOT0004Z	45	MOT10310	145	OPT0014E	36
MNT00533	21	MOT0005Z	45	MOT10311	145	OPT0313E	162
MNT00620	168	MOT0179R	50	MOT1069E	145	PAI0003E	120
MNT00621	168	MOT0180R	50	MOT1070E	145	PLT0005Z	45
MNT00622	168	MOT0181R	50	MOT1078E	131	PLT0006Z	45
MNT00645	168	MOT0182R	50	MOT1079E	133	PLT0007Z	45
MNT00646	168	MOT0183E	50	MOT1093E	146	PLT0017Z	45
MNT00647	168	MOT0184R	50	MOT1094E	166	PLT00216	50
MNT0105E	46	MOT0185E	50	MOT1095E	166	PLT00500	48
MNT0129E	23	MOT0186R	50	MOT1096E	166	PLT0055E	150
MOD0001E	67	MOT0197E	41	MOT1097E	166	PLT00570	39
MOD0013E	70	MOT0198E	41	MOT1098E	166	PLT00970	51
MOD0054E	66	MOT0200E	41	MOT1099E	166	PMP00009	46
MOD0054E	69	MOT0202E	41	MOT1100E	166	PMP0001Z	45
MOD0055E	66	MOT0257E	155	MOT1101E	166	PMP0027E	151
MOD0055E	69	MOT0260E	166	MOT1102E	146	PMP0028E	151
MOD0074E	81	MOT0285E	155	MOT1103E	146	PMP00460	42
MOD00942	66	MOT0290E	155	MOT1104E	146	PMP0048E	151
MOD00942	72	MOT0302E	166	MOT1105E	146	PMP0048E	152
MOD0095E	84	MOT0357E	156	MOT1106E	146	PMP0052E	151
MOD0096E	84	MOT0358E	156	MOT1107E	146	PMP0065E	163
MOD0097E	84	MOT0359E	156	MOT1108E	146	PMP0093E	163
MOD0099E	84	MOT0360E	156	MOT1109E	166	PMP0095E	163
MOD0100E	84	MOT0361E	156	MOT1110E	166	PMP0096E	163
MOD0102E	84	MOT0362E	156	MOT1125E	155	PMP0103E	163
MOD0103E	84	MOT0366E	144	MOT1126E	155	PMP0107E	163
MOD0105E	70	MOT0368E	150	MOT1127E	155	PMP0108E	163
MOD0117E	66	MOT0369E	150	MOT1128E	155	PMP0110E	163
MOD0118E	66	MOT0370E	150	MOT1129E	155	PMP0126E	163
MOD01254	82	MOT03765	161	MOT1130E	155	PMP0128E	151
MOD01257	84	MOT0437E	155	MOT1131E	155	PMP0139E	151
MOD01373	83	MOT0438E	155	MOT1132E	155	PMP0140E	131
MOD01387	83	MOT0439E	155	MOT1133E	155	PMP0144E	163
MOD01388	83	MOT0441E	155	MOT1134E	155	PMP0145E	163
MOD01389	83	MOT05717	161	MOT1135E	155	PMP0146E	163
MOD01393	161	MOT0572E	166	MOT1136E	155	PMP0147E	163
MOD01394	72	MOT0573E	166	MOT1143E	166	PMP0148E	163
MOD01394	84	MOT0613E	51	MOT1144E	166	PMP0149E	163
MOD01396	84	MOT0618E	166	MOT1145E	155	PMP0150E	163

PART NUMBER	PAGE	PART NUMBER	PAGE	PART NUMBER	PAGE	PART NUMBER	PAGE
PMP0151E	163	RLY0239E	61	SEN0010E	68	SHE0313E	157
PMP0152E	163	RLY0282E	151	SEN0010E	69	SHE0314E	157
PMP0153E	163	RLY0292E	61	SEN00113	66	SHE0315E	157
PMP0154E	163	RLY0293E	61	SEN00113	73	SHE0316E	157
PMP0155E	163	RLY0294E	61	SEN00118	73	SHE0317E	157
PMP0156E	163	RLY0295E	61	SEN0011E	66	SHE0318E	157
PMP0157E	163	RLY0296E	61	SEN0011E	71	SHE0319E	157
PMP0158E	163	RLY0297E	24	SEN0012E	67	SHE0320E	157
PMP0159E	163	RLY0297E	61	SEN00132	66	SHE0321E	157
PMP0160E	163	RLY0298E	61	SEN0015E	73	SHE0322E	158
PMP0161E	163	RLY0299E	24	SEN0015E	75	SHE0323E	158
PMP0162E	163	RLY0299E	61	SEN00202	66	SHE0324E	158
PMP0163E	163	RLY0300E	61	SEN00202	73	SHE0325E	158
PMP0166E	163	RLY0301E	61	SEN00204	66	SHE0326E	158
PMP0167E	163	RLY0302E	61	SEN00204	73	SHE0327E	158
PMP0168E	163	RLY0303E	61	SEN00205	66	SHE0328E	158
PMP0169E	163	RLY0304E	61	SEN00216	66	SHE0329E	158
PMP0171E	163	RLY0306E	61	SEN00296	66	SHE0330E	158
PNL14797	82	RLY0307E	61	SEN00306	66	SHE0331E	158
PNN0160E	151	RLY0308E	24	SEN00306	73	SHE0332E	158
PNN0195E	151	RLY0309E	24	SEN0037E	66	SHE0333E	158
PNN0196E	151	RLY0335E	151	SEN0037E	69	SHE0334E	158
PNN0197E	151	RLY0336E	61	SEN00404	73	SHE0337E	157
PNT0008E	120	RLY0337E	61	SEN00405	73	SHE0338E	157
PST00017	47	RLY0338E	61	SEN00406	73	SHE0339E	157
PST00018	47	RLY0351E	60	SEN0044E	76	SHE0340E	157
PST00043	40	RLY0352E	60	SEN0045E	76	SHE0341E	157
PST00044	40	RNG00037	43	SEN0051E	71	SHE0342E	157
PST00049	38	RNG00038	43	SEN0053E	79	SHE0343E	157
PST00113	33	RNG00052	49	SEN0054E	79	SHE0344E	157
PST00114	33	RNG00065	48	SEN0055E	79	SHE0345E	157
PST00115	33	RNG00069	46	SEN0057E	79	SHE0346E	157
PWR0001E	101	RNG00087	40	SEN0058E	79	SHE0347E	157
PWR0002E	101	RNG00088	48	SEN0059E	79	SHE0348E	157
PWR0003E	101	RNG00133	50	SEN0060E	79	SHE0349E	157
PWR00042	82	RNG00133	51	SEN0061E	79	SHE0350E	157
PWR0004E	101	RNG00145	40	SEN0062E	79	SHE0351E	131
PWR0005E	101	RNG00207	49	SEN0072E	132	SHE0351E	157
PWR0006E	101	RNG0021E	50	SEN0072E	133	SHE0352E	157
PWR0007E	101	RNG00229	48	SEN0076E	132	SHE0353E	157
PWR0008E	101	RNG00410	39	SEN0076E	133	SHE0354E	157
PWR0009E	101	RNG00411	40	SEN0077E	70	SHE0355E	157
PWR0010E	101	RNG00412	40	SEN0081E	70	SHE0356E	158
PWR0011E	101	RNG00413	43	SEN0082E	70	SHE0357E	158
PWR0012E	101	RNG00818	40	SEN0082E	132	SHE0358E	158
PWR0015E	101	RNG00891	43	SEN0082E	133	SHE0359E	158
PWR0016E	101	RNG01157	113	SEN0086E	66	SHE0360E	158
PWR0017E	101	RNG01248	113	SEN0086E	71	SHE0361E	158
PWR0018E	101	RNG01252	47	SEN00951	66	SHE0362E	157
PWR0020E	101	RNG01406	33	SEN00951	73	SHE0363E	157
PWR0021E	101	RNG01410	33	SEN0102E	71	SHE0364E	157
PWR0022E	101	RNG01410	113	SEN0103E	66	SHE0365E	157
PWR0023E	101	RNG01433	50	SEN0103E	69	SHE0366E	157
PWR0024E	101	RNG01651	51	SEN0103E	71	SHE0367E	157
PWR0025E	101	RNG01697	113	SEN01092	79	SHE0368E	157
PWR0026E	101	RNG0201E	113	SEN0117E	172	SHE0369E	157
PWR0027E	101	RNG0208E	113	SEN0118E	172	SHE0370E	157
PWR0028E	101	RNG02146	113	SEN0119E	172	SHE0371E	157
RCM0001E	67	ROD0002Z	45	SEN0120E	172	SHE0372E	157
RCM0002E	67	ROD00034	47	SEN0123E	132	SHE0373E	157
RCM0003E	67	ROD0003Z	45	SEN0123E	133	SHE0374E	157
RCM0004E	67	ROD00149	40	SEN0124E	132	SHE0375E	158
RCM0006E	67	ROD00163	40	SEN0129E	172	SHE0376E	158
REC0066E	135	SCM0001E	69	SEN0130E	172	SHE0377E	158
RES00967	83	SCM0002E	69	SEN01318	165	SHE0378E	158
RES00968	83	SCR0155E	141	SEN01447	77	SHE0379E	158
RLY0102E	24	SCR0155E	142	SEN01448	76	SHE0380E	158
RLY0102E	60	SDA0013E	133	SEN01448	77	SHE0381E	158
RLY0105E	60	SDA0013E	137	SEN01449	77	SHE0382E	158
RLY0106E	60	SDA0014E	133	SEN01517	77	SHE0383E	158
RLY0107E	60	SDA0014E	137	SEN01518	77	SHE0384E	158
RLY0108E	60	SDA0015E	133	SEN01523	76	SHE0385E	157
RLY0109E	24	SDA0015E	137	SEN01564	79	SHE0386E	157
RLY0109E	60	SDA0016E	133	SEN01577	76	SHE0387E	157
RLY0110E	60	SDA0016E	137	SEN01654	164	SHE0388E	157
RLY0112E	60	SELO0022	46	SEN01655	164	SHE0389E	157
RLY0113E	60	SELO0193	46	SEN01959	66	SHE0390E	157
RLY0114E	60	SEN0004E	67	SEN01960	66	SHE0391E	157
RLY0142E	60	SEN0004E	68	SEN02133	72	SHE0392E	157
RLY0156E	60	SEN0004E	69	SHE01565	161	SHE0393E	157
RLY0184E	60	SEN0006E	67	SHE0295E	157	SHE0394E	157
RLY0212E	61	SEN0006E	68	SHE0309E	131	SHE0395E	157
RLY0221E	16	SEN0006E	69	SHE0309E	157	SHE0396E	157
RLY0226E	60	SEN0007E	75	SHE0310E	157	SHE0397E	157
RLY0237E	61	SEN0009E	73	SHE0311E	157	SHE0398E	157
RLY0238E	61	SEN0010E	67	SHE0312E	157	SHE0399E	157

PART NUMBER	PAGE	PART NUMBER	PAGE	PART NUMBER	PAGE	PART NUMBER	PAGE
SHE0400E	157	TDR0019E	79	TOL01163	169	VAL0439E	99
SHE0401E	157	TDR00354	66	TOL0116E	174	VAL0455E	93
SHE0402E	157	TER00008	43	TOL0117E	174	VAL0469E	91
SHE0403E	157	TER00008	50	TOL0118E	174	VAL0489E	93
SHE0404E	157	TER00008	51	TOL0119E	174	VAL0492E	149
SHE0405E	157	TER00010	51	TOL0120E	174	VAL0493E	149
SHE0406E	157	TER0001E	50	TOL0121E	174	VAL0494E	149
SHE0407E	157	THT0001E	74	TOL0122E	174	VAL0495E	91
SHE0408E	157	THT0008E	74	TOL0123E	174	VAL0510E	149
SHE0409E	157	THT0017E	74	TOL0124E	174	VAL0539E	99
SHE0410E	157	THT0018E	74	TOL0125E	174	VAL0544E	147
SHE0411E	157	THT00225	74	TOL0126E	174	VAL0545E	147
SHE0412E	157	THT0034E	74	TOL0127E	174	VAL0546E	147
SHE0413E	158	THT0035E	74	TOL0128E	174	VAL0547E	149
SHE0414E	158	THT0058E	75	TOL0129E	174	VAL0584E	132
SHE0415E	158	THT0059E	75	TOL0130E	174	VAL0584E	133
SHE0416E	158	THT0060E	74	TOL0131E	174	VAL0595E	132
SHE0417E	158	THT0079E	74	TOL0132E	174	VAL0597E	132
SHE0418E	158	THT0086E	75	TOL0133E	174	VAL0598E	131
SHE0419E	158	THT0095E	75	TOL01343	170	VAL0599E	132
SHE0420E	158	THT0106E	152	TOL0156E	71	VAL0615E	132
SHE0421E	158	THT0123E	76	TOL0158E	173	VAL0616E	132
SHE0426E	131	THT0124E	76	TOL0159E	173	VAL0649E	16
SHE0427E	131	THT0126E	76	TOL0160E	173	VAL0650E	16
SHE0428E	131	THT0127E	76	TOL0161E	173	VAL0667E	92
SHE0429E	131	THT0141E	75	TOL0162E	173	VAL06711	42
SHE0429E	158	THT0142E	75	TOL01793	169	VAL06711	46
SLG00056	161	THT0143E	76	TOL01795	169	VAL06712	42
SLG00123	161	THT0144E	76	TOL02068	169	VAL0718E	93
SPG00276 (1)	48	THT0149E	76	TOL03084	169	VAL0738E	149
SPG00277 (1)	39	THT0150E	76	TRD0010E	133	VAL0748E	91
SPG00277 (1)	47	THT0152E	76	TRR0080E	67	VAL0766E	86
SPG00278 (1)	48	THT0154E	75	TRR01026	82	VAL0767E	86
SPG00282 (1)	48	THT0158E	75	TRR01279	81	VAL0768E	86
SPG00285 (1)	39	THT0161E	152	TRR01279	82	VAL0769E	86
SPG00861(1)	42	THT0161E	153	TRR0204E	132	VAL0771E	86
SRA00033	46	THT0163E	75	TRR0205E	132	VAL0772E	86
SRA00064	41	THT0166E	82	TRR0206E	132	VAL0773E	86
SRA00073	41	THT0175E	152	TUB0138E	132	VAL0774E	86
SRA00149	46	THT0175E	153	TUB0138E	135	VAL0775E	86
SRA00854	40	THT0177E	77	VAL00008	42	VAL0776E	86
SRA00855	40	THT0191E	75	VAL00009	42	VAL0777E	86
SRN00002	49	THT0192E	77	VAL00009	46	VAL0778E	86
SRN00004	46	THT0194E	77	VAL00031	46	VAL0780E	149
STU00067	43	THT0212E	149	VAL00035	41	VAL0781E	149
STU00068	43	THT0213E	149	VAL00035	46	VAL0785E	147
STU00140	51	THT02707	149	VAL00042	46	VAL0786E	147
SWT0081E	52	THT02764	149	VAL00043	41	VAL0787E	147
SWT0086E	52	THT02827	149	VAL00043	46	VAL0798E	149
SWT0175E	52	THT02847	149	VAL0008Z	45	VAL0799E	149
SWT0176E	52	THT02850	149	VAL00138	46	VAL0800E	149
SWT0177E	52	THT02867	149	VAL0016E	86	VAL0810E	93
SWT0179E	52	TMR0016E	55	VAL0017E	86	VAL0825E	94
SWT0180E	52	TMR0025E	56	VAL0017Z	45	VAL0826E	94
SWT0198E	152	TMR0026E	55	VAL01090	47	VAL0830E	94
SWT0199E	152	TMR0029E	55	VAL01091	48	VAL0833E	94
SWT0204E	52	TMR0039E	55	VAL01118	38	VAL0834E	94
SWT0206E	52	TMR0040E	55	VAL01121	39	VAL08350	93
SWT0207E	52	TMR0044E	56	VAL01122	39	VAL08358	93
SWT0212E	76	TMR0047E	55	VAL01123	39	VAL0839E	98
SWT0212E	152	TOL0049E	104	VAL01161E	86	VAL0840E	98
SWT0216E	52	TOL0096E	173	VAL0214E	91	VAL0841E	94
SWT0217E	52	TOL0097E	173	VAL0216E	91	VAL0883E	132
SWT0218E	52	TOL0098E	173	VAL02189	161	VAL0884E	133
SWT0219E	52	TOL0099E	173	VAL0218E	91	VAL0885E	133
SWT0222E	52	TOL0100E	173	VAL0219E	91	VAL0886E	133
SWT0223E	52	TOL0101E	173	VAL0233E	16	VAL0887E	132
SWT0226E	52	TOL01026	80	VAL0234E	16	VAL0888E	133
SWT0231E	52	TOL0102E	173	VAL0235E	16	VAL0889E	133
SWT0232E	52	TOL0103E	173	VAL0236E	16	VAL0890E	133
SWT0233E	52	TOL0104E	173	VAL0237E	16	VAL0891E	132
SWT03334	66	TOL0105E	173	VAL0397E	149	VAL0891E	133
SWT03334	164	TOL0106E	173	VAL0398E	149	VAL0892E	132
SWT03335	164	TOL0107E	173	VAL0399E	149	VAL0893E	132
TDR0009E	66	TOL0108E	173	VAL0400E	149	VAL0894E	132
TDR0009E	69	TOL0109E	173	VAL0427E	99	VAL0895E	135
TDR0010E	132	TOL0110E	173	VAL0429E	99	VAL0896E	135
TDR0010E	133	TOL0111E	173	VAL0430E	99	VAL08972	99
TDR0014E	66	TOL0112E	173	VAL0431E	99	VAL08975	99
TDR0014E	69	TOL0113E	173	VAL0432E	99	VAL08976	99
TDR0014E	71	TOL01145	169	VAL0433E	99	VAL08977	99
TDR0014E	79	TOL0114E	173	VAL0434E	99	VAL08978	99
TDR0015E	79	TOL01152	169	VAL0435E	99	VAL0919E	98
TDR0018E	66	TOL01154	169	VAL0436E	99	VAL0920E	98
TDR0018E	79	TOL0115E	174	VAL0437E	99	VAL0921E	98
TDR0019E	66	TOL01161	169	VAL0438E	99	VAL0922E	98

PART NUMBER	PAGE
VAL0923E	98
VAL0924E	98
VAL0925E	98
VAL0926E	98
VAL0927E	98
VAL0928E	98
VAL0929E	98
VAL0930E	98
VAL0931E	98
VAL0932E	98
VAL0933E	98
VAL0934E	98
VAL0935E	98
VAL0945E	98
VAL0946E	98
VAL0947E	98
VAL0948E	98
VAL0949E	98
VAL0950E	98
VAL0951E	98
VAL0952E	98
VAL09587	99
VAL09588	99
VAL09589	99
VAL10427	38
VAL10643	49
VAL10691	42
WAS00582	51
WIR0022E	167
WIR0023E	167
WIR0024E	167
WIR0025E	167
WIR0026E	167
WIR0027E	167
WIR0028E	167
WIR0029E	167
WIR0030E	167
WIR0031E	167
WIR0032E	167
WIR0033E	167
WIR0034E	167
WIR0035E	167
WIR0036E	167
WIR0037E	167
WIR0038E	167
WIR0039E	167
WIR0040E	167
WIR0041E	167
WIR0043E	167
WIR0046E	167
WIR0047E	167
WIR0048E	167
WIR0049E	167
WIR0050E	167
WIR0051E	167
XCM0001E	68
XCM0002E	68

MANUFACTURER NUMBER TO PART NUMBER INDEX

MANUFACTURER NBR	PART NUMBER	PAGE	MANUFACTURER NBR	PART NUMBER	PAGE	MANUFACTURER NBR	PART NUMBER	PAGE
*27201135041	MOD0184E	71	309001806200	BRD01713	81	90 L4 B3	MOT0285E	155
*27201135042	MOD0185E	71	309002136200	BRD02079	82	90 L4 B3	MOT1131E	155
037-061-9-P	MOD0169E	71	309002156200	CAB00900	81	90 S LS2/IE2 B3	MOT1145E	155
037-062-9-P	MOD0170E	71	309003116200	MOD02093	84	9100 /RA7	COL0321E	92
037-108-9-P	MOD0171E	71	309003196200	PNL14797	82	A 110 30 00	CTR0277E	62
061F9259	CNT0306E	87	309003206200	MOD01254	82	A 110 30 11	CTR0252E	62
061F9262	CNT0340E	87	309003256200	MOD02085	84	A 12 30 01	CTR0278E	62
061F9606	CNT0294E	87	309004286200	BRD02889	81	A 12 30 10	CTR0140E	62
061F9607	CNT0295E	87	309004866200	TRR01026	82	A 12 30 10	CTR0256E	62
061L2094	COL0392E	95	309004926200	TRR01279	81	A 12 30 10	CTR0267E	62
100 L LS2/IE2 B3	MOT1149E	155	309004926200	TRR01279	82	A 145 30 11	CTR0329E	62
100 L2 B3	MOT1132E	155	309005406200	MOD01257	84	A 145 30 11	CTR0336E	62
100 LR LS2/IE2 B3	MOT1148E	155	30900584-062	MOD01668	83	A 16 30 01	CTR0279E	62
1098/7	VAL0667E	92	30900614-062	RES00967	83	A 16 30 10	CTR0139E	62
112 M4/8 B3	MOT0357E	156	30900615-062	RES00968	83	A 16 30 10	CTR0213E	62
112 MU LS2/IE2 B3	MOT1146E	155	309006296200	MOD01898	82	A 16 30 10	CTR0268E	62
132 M2 B3	MOT1136E	155	309006326200	BRD03827	82	A 185 30 11	CTR0333E	62
132 M4 B3	MOT0919E	155	36 T39626	SWT0226E	52	A 185 30 11	CTR0337E	62
132 M4 B3	MOT1128E	155	36 T43005	SWT0223E	52	A 210 30 11	CTR0334E	62
132 M4/8 B3	MOT0358E	156	36 T43016	SWT0207E	52	A 210 30 11	CTR0338E	62
132 M4/8 B3	MOT0359E	156	36 T43039	SWT0204E	52	A 26 30 10	CTR0185E	62
132 S2 B3/V5	MOT1133E	155	361 R3012	SWT0206E	52	A 26 30 10	CTR0257E	62
132 S2- B3	MOT1134E	155	377G31501521	THT0079E	74	A 26 30 10	CTR0269E	62
132 SU LS2/IE2 B3	MOT1163E	155	3RT	CTR0299E	24	A 30 30 00	CTR0258E	62
132 SU2 B3	MOT1135E	155	3RT	CTR0300E	24	A 30 30 10	CTR0209E	62
132 SU4 B3	MOT1127E	155	3RU	RLY0308E	24	A 30 30 10	CTR0270E	62
140051	RLY0299E	24	3RU	RLY0309E	24	A 300 30 11	CTR0335E	62
14016	RLY0297E	24	40201053001	KIT0524E	82	A 300 30 11	CTR0339E	62
160 L4	MOT1125E	155	40201076001	BRD0043E	82	A 40 30 10	CTR0263E	62
160 L4 B3	MOT0438E	155	40201082001	MOD0074E	81	A 40 30 10	CTR0275E	62
160 L4 B3	MOT1130E	155	40201111-V17	LOG0009E	81	A 50 30 00	CTR0210E	62
160 L4/8 B3	MOT0361E	156	415050776200	BRD01114	81	A 50 30 00	CTR0260E	62
160 M4 B3	MOT0437E	155	43733357001	KIT1266E	71	A 50 30 00	CTR0272E	62
160 M4/8 B3	MOT0360E	156	43902332051	MOD0102E	84	A 63 30 00	CTR0261E	62
160 MR4 B3	MOT1129E	155	43902332052	MOD0103E	84	A 63 30 00	CTR0273E	62
180 L4 B3	MOT0439E	155	43902386052	MOD0100E	84	A 75 30 00	CTR0262E	62
180 L4/8 B3	MOT0362E	156	43902500051	MOD0095E	84	A 75 30 00	CTR0274E	62
180 LR4	MOT1126E	155	43902500052	MOD0096E	84	A 9 30 01	CTR0259E	62
180 MT LS2/IE2 B3	MOT1150E	155	43902500053	MOD0097E	84	A 9 30 01	CTR0271E	62
200 L4 B3	MOT0441E	155	43902661051	MOD0099E	84	A 9 30 10	CTR0141E	62
200 L4/8 B3	MOT0627E	156	501007376200	BRD00933	81	A 9 30 10	CTR0255E	62
200 L4/8 B3	MOT0628E	156	501007566200	BRD00935	81	A 9 30 10	CTR0266E	62
206280	CTR0269E	24	501007576200	BRD00936	81	A 95 30 00	CTR0276E	62
208180	CTR0272E	24	501008296200	BRD01016	82	A 95 30 11	CTR0251E	62
225 M4/8 B3	MOT0629E	156	52021271-020	KIT15548	83	A19 AAC 9009	THT0034E	74
240 RA 12T 7T	VAL0219E	91	5242/235	VAL0161E	86	A19 ABC 9011	THT0018E	74
240 RA 12T 9T	VAL0218E	91	60120006	FUS0155E	54	A19 ABC 9036	THT0017E	74
240 RA 16T 11T	VAL0748E	91	60120008	FUS0156E	54	A19 ACC 9116	THT0060E	74
240 RA 16T 9T	VAL0495E	91	60120010	FUS0157E	54	A27 A1 N12	THT0154E	75
240 RA 20T 11M	VAL0469E	91	60130010	FUS0122E	54	A27 A1 N12	THT0163E	75
240 RA 9T 5T	VAL0214E	91	60230025	FUS0109E	54	A27 A2 N15	THT0191E	75
240 RA 9T 7T	VAL0216E	91	60230040	FUS0108E	54	A27A2N22	THT0059E	75
2455 RMT 146 B201A	THT0141E	75	60330063	FUS0116E	54	A28 AA 9106	THT0008E	74
2455 RMT 147 B201A	THT0142E	75	63613/300	VAL0016E	86	A36 AHB 9109	THT0001E	74
260 R3013	SWT0175E	52	63618-1	VAL0017E	86	A99BB300C	SEN0015E	75
260 R3016	SWT0219E	52	66010016	FUS0145E	53	A99BB500C	SEN0007E	75
260 R3025	SWT0176E	52	66010032	FUS0137E	53	ACS350-210DQ	EXC0035E	106
260 R3040	SWT0177E	52	66010050	FUS0139E	53	ACS208-IP65	COL0074E	91
260 R3063	SWT0179E	52	66930040	FUS0144E	53	AE 5465E	COM0384E	18
260 R3080	SWT0180E	52	66930063	FUS0119E	53	AE 5470E	COM0400E	18
260 R3100	SWT0086E	52	66930080	FUS0135E	53	AF 400 30 11	CTR0330E	62
260 R3120	SWT0081E	52	66930100	FUS0118E	53	AF 580 30 11	CTR0340E	62
26033006	SWT0216E	52	66930125	FUS0124E	53	AF 750 30 11	CTR0331E	62
26033008	SWT0217E	52	66930160	FUS0142E	53	AH 5524E	COM0403E	18
26033010	SWT0218E	52	67030125	FUS0117E	53	AJ 5510F	COM0382E	18
29990012	SWT0216E	52	67030160	FUS0115E	53	AJ 5512E	COM0401E	18
29990012	SWT0217E	52	67130160	FUS0148E	53	AJ 5513E	COM0383E	18
29990012	SWT0218E	52	67130200	FUS0141E	53	AJ 5515E	COM0386E	18
3030/44C170	VAL0766E	86	67130250	FUS0149E	53	AJ 5518E	COM0394E	18
3030/66C245	VAL0776E	86	67230160	FUS0129E	53	AJ 5519E	COM0402E	18
3030/88C100	VAL0767E	86	67230200	FUS0113E	53	AS 17A AA5 A	COM08479	20
3030/88C130	VAL0768E	86	67230250	FUS0111E	53	AS 24A CD5 - A	COM08482	20
3030/88C160	VAL0769E	86	67230315	FUS0140E	53	AS 29A EE5 - A	COM08485	20
3060/45C160	VAL0772E	86	67230400	FUS0127E	53	AS 35A FG5 - A	COM08540	20
3060/45C170	VAL0773E	86	67230500	FUS0150E	53	ASC120-IP65	COL0169E	91
3060/45C230	VAL0777E	86	67330500	FUS0136E	53	ASC208	COL0074E	94
3060/45C250	VAL0774E	86	67330630	FUS0128E	53	ASC24	COL0171E	94
3060/45C280	VAL0775E	86	67470630	FUS0095E	53	ASC24-IP65	COL0171E	91
3060/45C300	VAL0771E	86	67470800	FUS0098E	53	ASD 35 S5	DHY00177	109
3060/45C310	VAL0778E	86	67471000	FUS0099E	53	ASD 45 S6	DHY00178	109
30900087062	BRD01721	82	67471200	FUS0100E	53	ASD 45 S7	DHY00179	109
309001466200	BRD01670	81	80 L4 B3	MOT0257E	155	ASD 50 S9	DHY00180	109
309001486200	BRD01672	81	80 L4 B3	MOT0290E	155	ASD 75 S11	DHY00181	109

MANUFACTURER NBR	PART NUMBER	PAGE	MANUFACTURER NBR	PART NUMBER	PAGE	MANUFACTURER NBR	PART NUMBER	PAGE
ASD 75 S13	DHY00182	109	CHHN035	COM0425E	32	CSHD 142K0A00	COM9141E	25
B 6 30 01	CTR0250E	62	CHHN040	COM0423E	32	CSHD 15 T	COM9161E	25
B 6 30 10	CTR0184E	62	CHHN040	COM0426E	32	CSHN 10 T	COM0756E	25
B 6 30 10	CTR0206E	62	CHHN050	COM0398E	32	CSHN 15 T	COM0757E	25
B 6 30 10	CTR0207E	62	CHHN050	COM0424E	32	CSHN 15 T	COM9171E	26
B 7 30 10	CTR0247E	62	CHHN060	COM0399E	32	CSHN 20 T	COM9002E	26
B08-30	EXC0017E	106	CHHN060	COM0427E	32	CSHN 25 T	COM9004E	26
B120TH-30	CDS0629E	106	CHHP K1	COM0681E	32	CSHN 30 T	COM9006E	26
B120TH-40	CDS0630E	106	CHHP K1 Lo Vi	COM0811E	32	CSHN250	COM09045	26
B120TH-50	CDS0631E	106	CHHP K2	COM0682E	32	CSHN315	COM09051	26
B120TH-60	CDS0632E	106	CHHP K2 Lo Vi	COM0812E	32	CYS 80121	GLS0011E	103
B15-20	EXC0018E	106	CHHP L1	COM0683E	32	CYS 80419	GLS0027E	103
B15-30	EXC0019E	106	CHHP L1-Lo Vi	COM0813E	32	CYS 80420	GLS0028E	103
B200	CDS0710E	106	CHHP L2	COM0684E	32	D6DET	TMR0016E	55
B200	CDS0711E	106	CHHP L2 Lo Vi	COM0814E	32	DB47-102	CDS0659E	106
B200	CDS0712E	106	CHHP M1 LoVi	COM0807E	32	DB47-134	CDS0660E	106
B200T-100P	EXC0252E	107	CHHP M2	COM0678E	32	DB47-74	CDS0657E	106
B200T-116P	EXC0253E	107	CHHP M2-Lo Vi	COM0808E	32	DB47-86	CDS0658E	106
B200T-72P	EXC0250E	107	CHHP N1	COM0679E	32	DCY 083 SK	DHY00144	108
B200T-84P	EXC0251E	107	CHHP N1 LoVi	COM0809E	32	DCY 084 SK	DHY00146	108
B25T-20	EXC0001E	106	CHHP N2	COM0680E	32	DCY 164 S	DHY00152	108
B25T-24	EXC0005E	106	CHHP N2-Lo Vi	COM0810E	32	DCY 165 SK	DHY00154	108
B25T-30	EXC0002E	106	CHHPM1	COM0677E	32	DCY 305 SK	DHY00161	108
B25T-34	EXC0006E	106	CHV01AJ504F1	COL0396E	95	DCY 417 S	DHY00170	108
B25T-40	EXC0003E	106	CP 1-27	MNT00367	168	DF2EA40	FUS0172E	54
B25T-60	EXC0004E	106	CP 1D-1200	MNT00369	168	Diablo	TOL0308A	169
B400T-114	EXC0097E	106	CP 1D-1360	MNT00400	168	DL80/150-11/2	PMP0168E	163
B400T-144	EXC0098E	106	CP 1D-340	MNT00364	168	DL80/160-11/2	PMP0149E	163
B400T-94	EXC0096E	106	CP 1D-510	MNT00365	168	DL80/170-15/2	PMP0169E	163
B50M-40	EXC0024E	106	CP 1D-675	MNT00366	168	DP 400	EXC0169E	106
BAYSENS077AA	SEN01448	76	CP 1D-900	MNT00368	168	DP 400	EXC0170E	106
BAYSENS119AA	SEN01577	76	CR 22 K6 TFD 770	COM06257	17	DP 400	EXC0171E	106
BCF-T-001	ADP0063E	69	CR 37 KQE TFD 28	COM0693E	17	DP 400	EXC0172E	106
BCY 14411	DHY0021E	110	SBM			DP 400	EXC0173E	106
BCY 1449	DHY00120	110	CR 47 KQ PFZ 28	COM0691E	17	DP 400	EXC0174E	106
BCY 19211	DHY0004E	110	SBM			DP 400	EXC0175E	106
BCY 19213	DHY0022E	110	CR JQ 0300 PFJ 522	COM06172	17	DP 400	EXC0176E	106
BCY 487	DHY00111	110	CR JQ 0300 TFD 522	COM0446E	17	DP 400	EXC0177E	106
BCY 967	DHY00115	110	CR LQ 0350 TFD 522	COM06173	17	DP 400	EXC0178E	106
BCY 969	DHY00116	110	CRH-A-240-1-E	TOL01161	169	DP 400	EXC0179E	106
BKF084 S	DHY00101	111	CRH-A-460-3-E	TOL01163	169	DP 400	EXC0180E	106
BKF085 S	DHY00103	111	CRHC 075KA	COM07499	19	DPA 133-176 NB	KIT0546E	146
BKF163 S	DHY00105	111	CRHE1CO	COM0122E	36	DPA 160-176 NB	KIT0547E	146
BKF164 S	DHY00107	111	CRHE500	COM0119E	36	DPA 185-240 NB	KIT0548E	146
BKF165 S	DHY00109	111	CRHE600	COM0120E	36	DPA 216-236 NB	KIT0550E	146
C-R111 H5R	COM06167	30	CRHE750	COM0121E	36	DPC 200-180 NB	KIT0549E	146
C-R224 H8S	COM06162	30	CRHF081	COM0118E	36	DPC 321-241 NB	KIT0877E	146
C-R224 H8U	COM06182	30	CRHH 062KA	COM07475	19	DPL40/160-4/2	PMP0158E	163
C-R373 H8B	COM06165	30	CRHH 075JA	COM07477	19	DPL40/160-5.5/2	PMP0159E	163
C-R373 H8S	COM06185	30	CRHH 075KA	COM07478	19	DPL50/120-1.5/2	PMP0155E	163
C-R91 H5R	COM06189	30	CRHH 083KA	COM07482	19	DPL50/130-3/2	PMP0154E	163
C17.279.57	THT00225	74	CRHL 075KA	COM07490	19	DPL65/120-3/2	PMP0162E	163
C2P 1D-1350	MNT00403	168	CRHL 100KA	COM07494	19	DPL65/130-4/2	PMP0163E	163
C2P 1D-1800	MNT00405	168	CRHR500	COM0166E	36	DPL65/140-5.5/2	PMP0151E	163
C2P 1D-2400	MNT00406	168	CRHR600	COM0167E	36	DPL65/175-7.5/2	PMP0145E	163
C2P 1D-2720	MNT00407	168	CRHZ 150	COM0028Z	31	DPL80/135-7.5/2	PMP0148E	163
C60H	BKR0143E	59	CRHZ 150	COM0029Z	31	DV200-50	EXC0165E	107
C60H	BKR0144E	59	CRHZ 200	COM0003Z	31	DV400	EVP0641E	107
C60H	BKR0146E	59	CRHZ 200	COM0010Z	31	DV400	EVP0642E	107
C60N	BKR0084E	59	CRHZ 200	COM0012Z	31	DV400	EVP0643E	107
C60N	BKR0108E	59	CRHZ 200	COM0013Z	31	DV400	EVP0644E	107
C60N	BKR0109E	59	CRHZ 200	COM0014Z	31	DV400	EVP0645E	107
C60N	BKR0111E	59	CRHZ 200	COM0015Z	31	DV47-102	EVP0599E	106
C60N	BKR0112E	59	CRHZ 250	COM0002Z	31	DV47-134	EVP0600E	106
C60N	BKR0118E	59	CRHZ 250	COM0005Z	31	DV47-38	EVP0585E	106
C60N	BKR0120E	59	CRHZ 250	COM0009Z	31	DV47-74	EVP0597E	106
C60N	BKR0121E	59	CRHZ 250	COM0016Z	31	DV47-86	EVP0598E	106
C60N	BKR0134E	59	CRHZ 250	COM0017Z	31	DV58-102	EXC0025E	107
CA 5-01	CTC0052E	65	CRHZ 250	COM0018Z	31	EAC426/4.300	TMR0044E	56
CA 5-10	CTC0051E	65	CRHZ 300	COM0001Z	31	EK 032	DHY00131	109
CA2 KN	CTR0316E	65	CRHZ 300	COM0008Z	31	EK 052	DHY00137	109
CA2 KN22M7	CTR0315E	65	CRHZ 300	COM0011Z	31	EK 053 S	DHY00140	108
CAL 18 11	CTR0332E	65	CRHZ 300	COM0019Z	31	EK 083	DHY00143	109
CAL 5-11	CTC0050E	65	CRHZ 300	COM0020Z	31	EK 084	DHY00145	109
CB26-18H	EXC0023E	106	CRHZ 300	COM0021Z	31	EK 163	DHY00149	109
CB26-44H	EXC0022E	106	CRHZ 400	COM0027Z	31	EK 163 S	DHY00150	108
CCY 48HP	COR0009E	111	CRL-240-E	TOL02068	169	EK 164	DHY00151	109
CHHB070	COM0379E	32	CROF 600	COM0110E	37	EK 303	DHY00156	109
CHHB070	COM0419E	32	CROF 700	COM0111E	37	EK 303 S	DHY00157	108
CHHB070	COM0552E	32	CSHA 10T	COM0754E	23	EK 304	DHY00158	109
CHHB085	COM0380E	32	CSHA 15T	COM0755E	23	EK 304 S	DHY00159	108
CHHB085	COM0420E	32	CSHD 092K0A00	COM9111E	25	EK 414	DHY00166	109
CHHB100	COM0381E	32	CSHD 10 T	COM9131E	25	EK 414 S	DHY00167	108
CHHB100	COM0421E	32	CSHD 110K0A00	COM9121E	25	EK 415 S	DHY00169	108
CHHB100	COM0565E	32	CSHD 125	COM09854	25	EK 757 S	DHY00172	108
CHHN035	COM0422E	32	CSHD 13 T	COM9151E	25	EV RV	VAL0455E	93

MANUFACTURER NBR	PART NUMBER	PAGE	MANUFACTURER NBR	PART NUMBER	PAGE	MANUFACTURER NBR	PART NUMBER	PAGE
EVRV	VAL0810E	93	LC1 D0910 F7	CTR0283E	63	LX1 FK110	COL0184E	64
FB-T28	SEN0045E	76	LC1 D09P7	CTR0166E	63	LX1 FK220	COL0091E	64
FF 142.3 BAA 1W	CNT0078E	89	LC1 D115 F7	CTR0343E	63	LX1 FL110	COL0185E	64
FH 5522E	COM0388E	18	LC1 D1210 B7	CTR0085E	63	LX1 FL220	COL0181E	64
FH 5528E	COM0407E	18	LC1 D1210 B7	CTR0349E	63	M100BG	MOT0369E	150
FH 5538F	COM0411E	18	LC1 D1210 F7	CTR0284E	63	M100BOL	MOT0973E	150
FH 5542E	COM0418E	18	LC1 D1210 M7	CTR0061E	63	M4450	MOT0763E	150
FN660 3/06 HPF	ELF0001E	67	LC1 D150 F7	CTR0344E	63	M6410	MOT0370E	150
GP 393GH9HA	COM08535	20	LC1 D1801 F7	CTR0285E	63	M7410C	MOT0368E	150
GP 483JJ9G	COM08538	20	LC1 D1810 B7	CTR0086E	63	M8450A	MOT0916E	150
GP 513JK9GA	COM08542	20	LC1 D1810 M7	CTR0062E	63	MI 30 1/2S	GLS0050E	103
GP 553KK1G	COM03919	20	LC1 D2510 B7	CTR00087E	63	MI 30 3/8 S	GLS0049E	103
GP 673LM3G	COM03748	20	LC1 D2510 F7	CTR0286E	63	MI 30 7/8 S	GLS0052E	103
GP 673LM4G	COM03758	20	LC1 D32 B7	CTR0328E	63	MI 31	GLS0053E	103
GP 813NN4G	COM03759	20	LC1 D3210 F7	CTR0287E	63	MI 3B	GLS0018E	103
GV1 A01	CTC0035E	65	LC1 D38 P7	CTR0320E	63	MP1/MP2	SEN0081E	70
GV1 ME06	BKR0040E	57	LC1 D40AB7	CTR0360E	63	MP2	MDA0017E	70
GV2 ME05	BKR0082E	57	LC1 D40AF7	CTR0356E	63	MP20	BRD0071E	70
GV2 ME07	BKR0105E	57	LC1 D40AP7	CTR0357E	63	MP20	BRD0072E	70
GV2 ME08	BKR0103E	57	LC1 D50AB7	CTR0361E	63	MP20	MOD0105E	70
GV2 ME10	BKR0104E	57	LC1 D50AF7	CTR0354E	63	MP3	SEN0077E	70
GV2 ME14	BKR0106E	57	LC1 D50AP7	CTR0358E	63	MP54 060B 1003	CNT0002E	89
GV2 ME16	BKR0126E	57	LC1 D65AB7	CTR0362E	63	MP54 060B 1004	CNT0038E	89
GV2 ME20	BKR0128E	57	LC1 D65AF7	CTR0355E	63	MRH-115-E	TOL01152	169
GV2 ME21	BKR0129E	57	LC1 D65AP7	CTR0359E	63	MRH-240-A-250	TOL01793	169
GV2 ME32	BKR0127E	57	LC1 D8011 F7	CTR0291E	63	MRH-240-A-500	TOL01795	169
GV2 PM32	BKR0150E	57	LC1 D80P7	CTR0083E	63	MRH-240-E	TOL01154	169
GV2-AE11	CTC0047E	65	LC1 D9511 F7	CTR0292E	63	MS 225 12.5A	BKR0062E	58
GV3 A01	CTC0073E	65	LC1 D9511 M7	CTR0186E	63	MS 225 16A	BKR0063E	58
GV3 ME80	BKR0142E	57	LC1 F115	CTR0113E	63	MS 225 2.5A	BKR0076E	58
GV3 P50	BKR0141E	57	LC1 F150	CTR0188E	63	MS 225 20A	BKR0064E	58
GV3 P65	BKR0140E	57	LC1 F185	CTR0295E	63	MS 225 25A	BKR0065E	58
GVAD 0110	CTC0075E	65	LC1 F225	CTR0296E	63	MS 225 4A	BKR0077E	58
GVAE 11	CTC0065E	65	LC1 F265	CTR0297E	63	MS 225 6.3A	BKR0078E	58
H 79A723DBV	COM0447E	21	LC1 F330	CTR0298E	63	MS 325 1.6A	BKR0089E	58
HK20	CTC0048E	65	LC1 F400	CTR0162E	63	MS 325 12.5	BKR0094E	58
HK4 11	CTC0055E	65	LC1 F500	CTR0221E	63	MS 325 16A	BKR0095E	58
HKF11	CTC0056E	65	LC1 F630	CTR0222E	63	MS 325 1A	BKR0088E	58
H LH 061T 4LC6	COM0819E	28	LC1 K0601 F7	CTR0254E	64	MS 325 2.5A	BKR0090E	58
H LJ 072T 4LC6	COM0820E	28	LC1 K0601 P7	CTR0318E	63	MS 325 20A	BKR0096E	58
HP3	SEN0082E	70	LC1 K0610 B7	CTR0322E	63	MS 325 25A	BKR0097E	58
Hydroson 402T	PMP0065E	163	LC1 K0610 F7	CTR0253E	64	MS 325 4A	BKR0091E	58
IL80/150-11/2	PMP0166E	163	LC1 K0901 F7	CTR0243E	64	MS 325 6.3A	BKR0092E	58
IL80/160-11/2	PMP0147E	163	LC1 K0901 M7	CTR0244E	64	MS 325 9A	BKR0093E	58
IL80/170-15/2	PMP0167E	163	LC1 K0910 B7	CTR0348E	63	MT 100HS4	COM0609E	14
IPL40/160-4/2	PMP0156E	163	LC1 K0910 F7	CTR0242E	64	MT 100HS6	COM0600E	14
IPL40/160-5.5-2	PMP0157E	163	LC1 K0910 M7	CTR0241E	64	MT 125HU4	COM0611E	14
IPL50/120-1.5/2	PMP0153E	163	LC1 K09107 P7	CTR0326E	63	MT 125HU6	COM0610E	14
IPL50/130-3/2	PMP0152E	163	LC1 K1210 P7	CTR0341E	63	MT 160HW4	COM0601E	14
IPL65/120-3/2	PMP0160E	163	LC1D	CTR0058E	24	MT 160HW6	COM0612E	14
IPL65/130-4/2	PMP0161E	163	LC1D25P7	CTR0058E	63	MT 18JA5	COM0740E	14
IPL65/140-5.5/2	PMP0150E	163	LDK-414801000	COL0193E	94	MT 22JC5	COM0676E	14
IPL65/175-7.5/2	PMP0144E	163	LM 5P 767 3000	THT0058E	75	MT 28JE4	COM0626E	14
IPL80/135-7.5/2	PMP0146E	163	LM 7P 656 0000	THT0158E	75	MT 28JE5	COM0741E	14
JRL 203 - 16/1-1	PMP0103E	163	LP1 K0610 BD	CTR0323E	63	MT 32JF4	COM0596E	14
JRL 204 - 13/2.2	PMP0096E	163	LP1 K0910 BD	CTR0327E	63	MT 32JF5	COM0595E	14
JRL 205 - 15/4	PMP0108E	163	LR2 D1307	RLY0184E	60	MT 32JF6	COM0594E	14
JRN 206 - 13/5.5	PMP0110E	163	LR2 D1308	RLY0107E	60	MT 36JF5	COM0742E	14
JRN 208 - 13/5.5	PMP0126E	163	LR2 D1310	RLY0110E	60	MT 36JG4	COM0602E	14
KP1 060509466	CNT0008E	88	LR2 D1312	RLY0106E	60	MT 36JG6	COM0613E	14
KP5 060509666	CNT0041E	87	LR2 D1314	RLY0108E	60	MT 40JH4	COM0604E	14
KP5 060512966	CNT0009E	87	LR2 D1316	RLY0114E	60	MT 40JH6	COM0603E	14
KP7 060515066	CNT0238E	87	LR2 D1321	RLY0112E	60	MT 50HK4	COM0606E	14
KS 30062	KIT0335E	92	LR2 D1322	RLY0102E	60	MT 50HK6	COM0605E	14
KS 30062-1	KIT0993E	92	LR2 D2353	RLY0109E	60	MT 56HL4	COM0688E	14
KS 30063	KIT0336E	92	LR2 D3355	RLY0105E	60	MT 64HM4	COM0597E	14
KS 30065	KIT0337E	92	LR2 D3361	RLY0113E	60	MT 64HM6	COM0607E	14
KS 30065-1	KIT0992E	92	LR2 D3363	RLY0142E	60	MT 72HN4	COM0598E	14
KS 30097	KIT0338E	92	LR2 D3365	RLY0226E	60	MT 73HN4	COM0687E	14
KS 30097-1	KIT0991E	92	LR2D	RLY0102E	24	MT 80HP4	COM0599E	14
LO 5P 562 1000	THT0086E	75	LR2D	RLY0109E	24	MT 80HP6	COM0608E	14
LA DN20	CTC0066E	65	LR9 F5367	RLY0156E	60	MTZ 100HS4	COM0404E	15
LA1 DN01	CTC0058E	65	LRD 350.	RLY0351E	60	MTZ 125HU4	COM0405E	15
LA1 DN04	CTC0029E	65	LRD 365	RLY0352E	60	MTZ 160HW4	COM0406E	15
LA1 DN10	CTC0059E	65	LRL 203 - 16/1-1	PMP0093E	163	MTZ 28JE6	COM0665E	15
LA1 DN11	CTC0011E	65	LRL 204 - 13/2.2	PMP0095E	163	MTZ 32JF4	COM0667E	15
LA1 DN22	CTC0014E	65	LRL 205 - 15/4	PMP0107E	163	MTZ 32JF6	COM0666E	15
LA1 DN31	CTC0042E	65	LUA1C11	CTC0074E	65	MTZ 36JG4	COM0668E	15
LA1 F131	CTC0023E	65	LX1 FF110	COL0165E	64	MTZ 40JH4	COM0669E	15
LA1 F311	CTC0022E	65	LX1 FF220	COL0079E	64	MTZ 50HK4	COM0670E	15
LA2DT2	TMR0047E	55	LX1 FG110	COL0166E	64	MTZ 64HM4	COM0671E	15
LA8 DN11	CTC0060E	65	LX1 FG220	COL0080E	64	MTZ 80HP4	COM0672E	15
LB600120000	COL0175E	94	LX1 FH110	COL0168E	64	N/W48 DA	COR00020	111
LB640160000	COL0173E	94	LX1 FH220	COL0094E	64	N31E	CTR0312E	65
LC1 D 3210 M7	CTR0171E	63	LX1 FJ110	COL0183E	64	NE 41 VNHLT	COM0675E	30
LC1 D0910 B7	CTR0088E	63	LX1 FJ220	COL0092E	64	NH 41 VNNT	COM06159	30

MANUFACTURER NBR	PART NUMBER	PAGE	MANUFACTURER NBR	PART NUMBER	PAGE	MANUFACTURER NBR	PART NUMBER	PAGE
ODM1	TMR0026E	55	SPA-2G	SHE0310E	157	SPZ-3G	SHE0417E	158
ORBI 653750	FUS0165E	54	SPA-2G	SHE0311E	157	SPZ-3G	SHE0418E	158
ORBI 654810	FUS0167E	54	SPA-2G	SHE0312E	157	SPZ-3G	SHE0419E	158
OT125 ET3	SWT0233E	52	SPA-2G	SHE0313E	157	SPZ-3G	SHE0420E	158
OT32 ET3	SWT0222E	52	SPA-2G	SHE0314E	157	SPZ-4G	SHE0328E	158
OT63 ET3	SWT0231E	52	SPA-2G	SHE0315E	157	SPZ-4G	SHE0329E	158
OT80 ET3	SWT0232E	52	SPA-2G	SHE0337E	157	SPZ-4G	SHE0330E	158
P 100 AA 51 D	CNT0126E	88	SPA-2G	SHE0351E	157	SPZ-4G	SHE0331E	158
P 100 CA 13 D	CNT0127E	88	SPA-2G	SHE0352E	157	SPZ-4G	SHE0332E	158
P 100 CA 52 D	CNT0102E	88	SPA-2G	SHE0353E	157	SPZ-4G	SHE0333E	158
P 20 EA 9670XC	CNT0274E	88	SPA-2G	SHE0354E	157	SPZ-4G	SHE0334E	158
P100 AP 63D	CNT0153E	89	SPA-2G	SHE0355E	157	SPZ-4G	SHE0421E	158
P74 EA 9300	CNT0033E	90	SPA-3G	SHE0429E	158	SRR 41	MFL0015E	85
PDM10	TMR0029E	55	SPA-4G	SHE0356E	158	SRR 54	MFL0016E	85
PE 31 VNEMT	COM0674E	30	SPA-4G	SHE0357E	158	SSA067A4BPZ	COM08838	28
PH 31 VNEMT	COM0562E	30	SPA-4G	SHE0358E	158	SSA072A4BPZ	COM09657	28
PH 36 VPET	COM0563E	30	SPA-4G	SHE0359E	158	SSA076A4BPZ	COM09636	28
PS3-CF5- HNB	CNT0146E	88	SPA-4G	SHE0360E	158	SSA083A4BPZ	COM08847	28
PS3-CF5-HNB	CNT0147E	88	SPA-4G	SHE0361E	158	SSB81	MOT0982E	147
PS3-TF5-HNB	CNT0148E	88	SPB-2G	SHE0362E	157	SSE 068A4BPZ	COM08244	28
PSG55	GLS0013E	103	SPB-2G	SHE0363E	157	SSR 061A4BPZ	COM06995	28
Q637AITEM L	SWT0212E	76	SPB-2G	SHE0364E	157	SSR 081A4BPZ	COM07172	28
RDP-3	MNT00620	168	SPB-2G	SHE0365E	157	STA719	MOT0979E	147
RDP-3	MNT00621	168	SPB-2G	SHE0366E	157	STE2	TMR0039E	55
RDP-4	MNT00622	168	SPB-2G	SHE0367E	157	STE22	MOT0681E	147
RDP-4	MNT00645	168	SPB-2G	SHE0368E	157	STE72	BON0005E	147
RDP-4	MNT00646	168	SPB-2G	SHE0369E	157	STF-2505G3	VAL0834E	94
RDP-4	MNT00647	168	SPB-2G	SHE0370E	157	STF01AB503B1	COL0395E	95
RE 207 VHSMT	COM0673E	30	SPB-2G	SHE0371E	157	STF01AJ504F1	COL0393E	95
RE8RA21FUTQ	TMR0040E	55	SPB-2G	SHE0372E	157	STF0715G	VAL0830E	94
RH 135 VHAT	COM0449E	30	SPB-2G	SHE0373E	157	SXA044B4BPZ	COM10038	28
RH 165 VHAT	COM0448E	30	SPB-2G	SHE0374E	157	SXA051B4BPZ	COM09550	28
RH 207 VHAT	COM06364	30	SPB-3G	SHE0375E	158	SXA054B4BPA	COM10053	28
RH 48	COR00049	111	SPB-3G	SHE0376E	158	SXE042B4BPZ	COM10720	28
RT 14175103	THT0035E	74	SPB-3G	SHE0377E	158	SZ 090S4VC	COM0705E	22
RT0-500-240-F	TOL01145	169	SPB-3G	SHE0378E	158	SZ 100S4VC	COM0616E	22
RV 3F45	VAL0489E	93	SPB-3G	SHE0379E	158	SZ 120S4VC	COM0618E	22
S250 S2H20	CTC0036E	65	SPB-3G	SHE0380E	158	SZ 161T4VC	COM0620E	22
S252	BKR0023E	59	SPB-3G	SHE0381E	158	SZ 175S4RC	COM0774E	22
S252	BKR0025E	59	SPB-3G	SHE0382E	158	SZ 185S4RC	COM0803E	22
S252	BKR0027E	59	SPB-3G	SHE0383E	158	SZ 185S6RC	COM0768E	22
S252	BKR0029E	59	SPB-3G	SHE0384E	158	SZ 300A4AAM	COM0775E	22
S252	BKR0046E	59	SPZ-1G	SHE0385E	157	SZ 3807A77M	COM0776E	22
S252	BKR0056E	59	SPZ-1G	SHE0386E	157	T 135 DU 135	RLY0237E	61
S252	BKR0057E	59	SPZ-1G	SHE0387E	157	T 200 DU 135	RLY0238E	61
S252	BKR0059E	59	SPZ-1G	SHE0388E	157	T 200 DU 150	RLY0239E	61
S252	BKR0060E	59	SPZ-1G	SHE0389E	157	T200	FLR0138E	139
S252	BKR0072E	59	SPZ-1G	SHE0390E	157	T200	FLR0139E	139
S252	BKR0101E	59	SPZ-1G	SHE0391E	157	T200	FLR0140E	139
S27 A3	THT0095E	75	SPZ-1G	SHE0392E	157	T200	FLR0141E	139
S27A2	THT0059E	75	SPZ-1G	SHE0393E	157	T200	FLR0142E	139
S48	COR0008E	112	SPZ-1G	SHE0394E	157	T200	FLR0143E	139
SC 10 DX	COM0408E	17	SPZ-1G	SHE0395E	157	T200	FLR0144E	139
SC 15/15D	COM0410E	17	SPZ-1G	SHE0396E	157	T200	FLR0145E	139
SC 15DX	COM0409E	17	SPZ-1G	SHE0397E	157	T200	FLR0146E	139
SCY 110	MFL0007E	85	SPZ-1G	SHE0398E	157	T200	FLR0147E	139
SCY 130	MFL0004E	85	SPZ-1G	SHE0399E	157	T6371B1041	THT0123E	76
SCY 50	MFL0013E	85	SPZ-1G	SHE0400E	157	T6375B1088	THT0124E	76
SCY 90	MFL0006E	85	SPZ-2G	SHE0316E	157	T6375C1086	THT0126E	76
Sensor	SEN01523	76	SPZ-2G	SHE0317E	157	T6377B1094	THT0127E	76
SHC20-134/2.2	PMP0171E	163	SPZ-2G	SHE0318E	157	TA 110 DU 110	RLY0307E	61
SI 3 1"1/8	GLS0003E	103	SPZ-2G	SHE0319E	157	TA 110 DU 90	RLY0306E	61
SI 3 7/8	GLS0001E	103	SPZ-2G	SHE0320E	157	TA 25 DU 11	RLY0294E	61
SM 100S4VC	COM0662E	22	SPZ-2G	SHE0321E	157	TA 25 DU 14	RLY0295E	61
SM 115S4RC	COM0689E	22	SPZ-2G	SHE0401E	157	TA 25 DU 19	RLY0296E	61
SM 120S4VC	COM0663E	22	SPZ-2G	SHE0402E	157	TA 25 DU 2.4	RLY0336E	61
SM 160T4RC	COM0788E	22	SPZ-2G	SHE0403E	157	TA 25 DU 25	RLY0297E	61
SM 161T4VC	COM0664E	22	SPZ-2G	SHE0404E	157	TA 25 DU 32	RLY0298E	61
SM 175S4RC	COM0772E	22	SPZ-2G	SHE0405E	157	TA 25 DU 4	RLY0338E	61
SM 185S4RC	COM0771E	22	SPZ-2G	SHE0406E	157	TA 25 DU 5	RLY0292E	61
SM 185S6RC	COM0766E	22	SPZ-2G	SHE0407E	157	TA 25 DU 6.5	RLY0212E	61
SPA-1G	SHE0338E	157	SPZ-2G	SHE0408E	157	TA 25 DU 8.5	RLY0293E	61
SPA-1G	SHE0339E	157	SPZ-2G	SHE0409E	157	TA 75 DU 32	RLY0299E	61
SPA-1G	SHE0340E	157	SPZ-2G	SHE0410E	157	TA 75 DU 42	RLY0300E	61
SPA-1G	SHE0341E	157	SPZ-2G	SHE0411E	157	TA 75 DU 52	RLY0301E	61
SPA-1G	SHE0342E	157	SPZ-2G	SHE0412E	157	TA 75 DU 63	RLY0302E	61
SPA-1G	SHE0343E	157	SPZ-3G	SHE0322E	158	TA 75 DU 80	RLY0303E	61
SPA-1G	SHE0344E	157	SPZ-3G	SHE0323E	158	TA 80 DU 80	RLY0304E	61
SPA-1G	SHE0345E	157	SPZ-3G	SHE0324E	158	TA25 DU 3.1	RLY0337E	61
SPA-1G	SHE0346E	157	SPZ-3G	SHE0325E	158	TAG 5561E	COM0141E	18
SPA-1G	SHE0347E	157	SPZ-3G	SHE0326E	158	TAG 5568E	COM0349E	18
SPA-1G	SHE0348E	157	SPZ-3G	SHE0327E	158	TAH 5542E	COM0412E	18
SPA-1G	SHE0349E	157	SPZ-3G	SHE0413E	158	TCLE	CAG0010E	100
SPA-1G	SHE0350E	157	SPZ-3G	SHE0414E	158	TCLE	CAG0011E	100
SPA-2G	SHE0295E	157	SPZ-3G	SHE0415E	158	TCLE	CAG0012E	100
SPA-2G	SHE0309E	157	SPZ-3G	SHE0416E	158	TCLE	CAG0013E	100

MANUFACTURER NBR	PART NUMBER	PAGE	MANUFACTURER NBR	PART NUMBER	PAGE	MANUFACTURER NBR	PART NUMBER	PAGE
TCLE	CAG0014E	100	TR6	VAL08977	99	X13130447010	KIT03033	161
TCLE	CAG0015E	100	TR6	VAL08978	99	X13130454010	KIT08282	161
TCLE	CAG0016E	100	TR6	VAL09587	99	X13510685001	KIT08666	161
TCLE- 97614	BOD0008E	102	TR6	VAL09588	99	X13511193010	CNT04672	161
TCLE-97613	BOD0007E	102	TR6	VAL09589	99	X13540555001	SEN0004E	67
TCLE-A576	BOD0003E	102	TRE	VAL0839E	98	X13540555001	SEN0004E	68
TCLE-C5015	BOD0002E	102	TRE	VAL0840E	98	X13540555001	SEN0004E	69
TCLE-C5017	BOD0001E	102	TX6 H02	VAL0430E	99	X13540555002	SEN0006E	67
TCLE-TJRE	PWR0007E	101	TX6 H03	VAL0431E	99	X13540555002	SEN0006E	68
TCLE-TJRE	PWR0008E	101	TX6 H04	VAL0432E	99	X13540555002	SEN0006E	69
TCLE-TJRE	PWR0009E	101	TX6 H05	VAL0434E	99	X13540555003	SEN0010E	67
TCLE-TJRE	PWR0015E	101	TX6 H14	VAL0433E	99	X13540555003	SEN0010E	68
TCLE-TJRE	PWR0016E	101	TX6 H15	VAL0435E	99	X13540555003	SEN0010E	69
TCLE-TJRE	PWR0022E	101	TX6 H16	VAL0436E	99	X13540573001	SEN0011E	71
TCLE-TJRE	PWR0026E	101	TX6 H17	VAL0437E	99	X13540573002	SEN0051E	71
TCLE-TJRE	PWR0027E	101	TX6 M03	VAL0429E	99	X13540573003	SEN0086E	71
TCLE-XG34617	BOD0010E	102	TX6 M15	VAL0427E	99	X13540573004	SEN0102E	71
TERE	CAG0003E	100	TX6 M16	VAL0438E	99	X13540573005	SEN0103E	69
TERE	CAG0004E	100	TX6 M17	VAL0439E	99	X13540573005	SEN0103E	71
TERE	CAG0005E	100	TX6 N07	VAL0539E	99	X13540575001	SEN0012E	67
TERE	CAG0006E	100	TZS01	SEN01448	76	X13540577001	SEN0015E	73
TERE-9152	BOD0012E	102	V10-414120200	VAL0718E	93	X13540857001	SEN0037E	69
TERE-TIRE	PWR0004E	101	V120TH-30	EVP0588E	107	X13540883001	KIT08675	161
TERE-TIRE	PWR0005E	101	V120TH-40	EVP0589E	107	X13560351001	TRR0080E	67
TERE-TIRE	PWR0006E	101	V120TH-46	EVP0603E	107	X13640419001	CNT0341E	161
TERE-TIRE	PWR0010E	101	V120TH-50	EVP0590E	107	X13650364040	MOD01422	72
TERE-TIRE	PWR0011E	101	V120TH-58	EVP0604E	107	X13650364040	MOD01422	84
TERE-TIRE	PWR0012E	101	V120TH-60	EVP0591E	107	X13650386030	BRD00741	161
TERE-TIRE	PWR0017E	101	V120TH-60	EXC0020E	107	X13650432-02	MOD01373	83
TERE-TIRE	PWR0018E	101	V120TH-70	EVP0605E	107	X13650464006	BRD02893	84
TERE-TIRE	PWR0020E	101	V120TH-70	EVP0635E	107	X13650475008	MOD01423	72
TERE-TIRE	PWR0023E	101	V120TH-90	EVP0636E	107	X13650476100	MOD01424	72
TERE-TIRE-THRE	PWR0021E	101	V120TH-90	EVP0640E	107	X13650477130	MOD01425	72
TERE-TIRE-THRE	PWR0024E	101	V120TH-90	EXC0021E	107	X13650558-08	MOD01387	83
TERE-TIRE-THRE	PWR0025E	101	V200-38	EVP0646E	107	X13650780-06	MOD01388	83
TERE-TIRE-THRE	PWR0028E	101	V200-46	EVP0647E	107	X13650781002	MOD00942	72
TERE/TIRE-9153	BOD0005E	102	V200-54	EVP0648E	107	X13650787-06	MOD01389	83
TGEL 13	VAL0929E	98	V200-72	EVP0649E	107	X13650804060	MOD0188E	72
TGEL 15	VAL0930E	98	V200-T	EVP0650E	107	X13650827-007	MOD02092	72
TGEL 19	VAL0931E	98	V200-T	EVP0651E	107	X13650867100	MOD01848	161
TGEL 23	VAL0932E	98	V200-T	EVP0652E	107	X13650867140	MOD02392	161
TGEL 31	VAL0933E	98	V25T-50	EXC0012E	107	X13650882010	MOD01393	161
TGEL 35	VAL0934E	98	V25T-60	EXC0013E	107	X13650960001	MOD0190E	81
TGEL 46	VAL0935E	98	V5832A1046	VAL0492E	149	X13651007001	MOD01394	72
TGEL 6.5	VAL0927E	98	V5832A1053	VAL0493E	149	X13651007010	MOD01394	84
TGEL 9	VAL0928E	98	V5832A1061	VAL0494E	149	X13651009010	MOD01396	84
TGEN 10	VAL0922E	98	V5832A4008	VAL0798E	149	X13651055050	BRD03359	84
TGEN 12	VAL0923E	98	V5832A4016	VAL0799E	149	X13651077001	MOD01540	72
TGEN 17	VAL0924E	98	V5833A2092	VAL0547E	149	X13651144-010	MOD01628	83
TGEN 20	VAL0925E	98	V5833C1017T	VAL0397E	149	X13651490020	MOD01802	161
TGEN 25	VAL0926E	98	V5833C1025T	VAL0398E	149	X13651492-020	MOD02071	83
TGEN 4.5	VAL0919E	98	V5833C1033	VAL0399E	149	X13651524-010	MOD01786	83
TGEN 7	VAL0920E	98	V5833C1041T	VAL0400E	149	X13651537-010	MOD01840	83
TGEN 8	VAL0921E	98	V5833C1058	VAL0510E	149	X13651538-010	MOD01702	83
TGEX 11	VAL0946E	98	V5833C4003	VAL0738E	149	X13651548-010	MOD01919	83
TGEX 12	VAL0947E	98	V5833C4011	VAL0800E	149	X13651563-010	MOD02047	83
TGEX 15	VAL0948E	98	V80H-50	EXC0015E	107	X13651568-010	MOD01923	83
TGEX 18	VAL0949E	98	V9071	VAL0781E	149	X13651571-010	MOD01924	83
TGEX 26	VAL0950E	98	V9071X0015	VAL0780E	149	X13690169001	CNT0165E	71
TGEX 30	VAL0951E	98	VCYLS 11	GLS0029E	103	X13690206020	BRD00742	161
TGEX 38	VAL0952E	98	VHV3003	VAL0841E	94	X13690255040	MOD02051	82
TGEX 7.5	VAL0945E	98	VHV4001	VAL0833E	94	X13710079001	RCM0003E	67
THC02	SEN0044E	76	VHV5001	VAL0826E	94	X13710085001	SCM0002E	69
THC02	THT0152E	76	VHV6001	VAL0825E	94	X13710095001	XCM0002E	68
THP 01-02	BOX0012E	76	VMP 469.10-1	VAL0785E	147	X13740078001	RCM0001E	67
THP01	THT0149E	76	VMP 469.10-1.6	VAL0786E	147	X13740080001	RCM0004E	67
THP02	THT0150E	76	VMP 469.15-2.5	VAL0787E	147	X13740081001	RCM0002E	67
THP03	SEN01577	76	VMP45-10-1.0	VAL0544E	147	X13740084001	SCM0001E	69
THRE	CAG0008E	100	VMP45-10-16	VAL0545E	147	X13740094001	XCM0001E	68
THRE	CAG0009E	100	VMP45-15-25	VAL0546E	147	X13740096001	RCM0006E	67
THRE-9148	BOD0013E	102	V5325	COR0004E	111	X13740113001	MOD0001E	67
THRE-9149	BOD0006E	102	WAH4175	DHY0034E	110	X13740120001	MOD0013E	70
THS	BOX0012E	76	WAH7595	DHY0033E	110	X13740162001	MOD0054E	69
THS01	THT0143E	76	X01650524002	KIT09500	161	X13740163001	MOD0055E	69
THS02	THT0144E	76	X01650527001	KIT13704	161	X13740184001	TDR0009E	69
TIRE	CAG0007E	100	X01650528002	KIT09701	161	X13740190001	TDR0014E	71
TJRE	CAG0001E	100	X01650532001	KIT15159	161	X13740190002	TDR0014E	69
TJRE	CAG0002E	100	X01650532002	KIT15160	161	X13740213001	BRD0117E	71
TJRE	PWR0001E	101	X01650533001	KIT07805	161	X13790002020	SEN00113	73
TJRE	PWR0002E	101	X01650534002	KIT08661	161	X13790002030	SEN00096	73
TJRE	PWR0003E	101	X01650534004	KIT08663	161	X13790002060	SEN00118	73
TJRE- 10332	BOD0011E	102	X01650535001	KIT08658	161	X13790057050	SEN00202	73
TJRE-10331	BOD0004E	102	X10010204017	BRG00740	161	X13790057070	SEN00204	73
TR6	VAL08972	99	X10010235010	BRG01578	161	X13790057080	SEN00306	73
TR6	VAL08975	99	X10070192001	SHE01565	161	X13790076030	SEN00951	73
TR6	VAL08976	99	X12001979001	KIT1391E	161	X13790159020	SEN00406	73

MANUFACTURER NBR	PART NUMBER	PAGE	MANUFACTURER NBR	PART NUMBER	PAGE
X13790159030	SEN00405	73			
X13790159040	SEN00404	73			
X17010038090	CON00204	73			
X17010301001	ADP0063E	71			
X17040509001	KIT0414E	161			
X17521846-010	KIT15634	83			
X19070632-020	CAB01206	83			
X19140385001	CON01166	72			
X19995044005	KIT1089E	161			
X20440035010	SLG00123	161			
X20600295010	SLG00056	161			
X27016178037	KIT02589	161			
X27016178038	KIT02590	161			
X27201278011	TOL0156E	71			
X43661666197	KIT09433	161			
X50710670-010	CBT01625	72			
X55010026350	VAL02189	161			
X70421042010	MOT03765	161			
X70671180017	MOT05717	161			
X70671656010	MOT09192	161			
ZB 19 KCE PFJ 551	COM0818E	28			
ZB 30 KCE PFJ 551	COM0815E	28			
ZB 45 KCE TFD 551	COM0817E	28			
ZP 23 K3E	COM0621E	27			
ZP 26 K3E	COM0622E	27			
ZR 11 M 3 E	COM0653E	26			
ZR 11 M 3 E	COM0702E	26			
ZR 12 M 3 E	COM0654E	26			
ZR 12 M 3 E	COM0703E	26			
ZR 16 M 3 E	COM0655E	26			
ZR 19 M 3E	COM0758E	26			
ZR 22 K 3 E	COM0642E	26			
ZR 250 K CE	COM0706E	26			
ZR 28 K 3 E	COM0643E	26			
ZR 310 K CE	COM0707E	26			
ZR 34 K 3 E	COM0644E	26			
ZR 380 K CE	COM0759E	26			
ZR 40 K 3 E	COM0645E	26			
ZR 40 K 3 E	COM0648E	26			
ZR 48 K 3 E	COM0649E	26			
ZR 49 K 3 E	COM0646E	26			
ZR 61 K C E	COM0650E	26			
ZR 72 K C E	COM0651E	26			
ZR 90 K 3 E	COM0652E	26			

Notes

A series of horizontal dotted lines for taking notes, spanning the width of the page.

Notes

A series of horizontal dotted lines for taking notes.

Notes

A series of horizontal dotted lines for writing notes.

CONVERSION OF POWER UNITS

	Watt	kcal/s	kgm/s	Btu/h	ch	hp	kW
1 Watt	= 1	0.00024	0.10197	3.41	0.00136	0.00134	0.001
1 kcal/s	= 4,186.8	1	426.93	14,271	5.6924	5.6145	4.1868
1 kgm/s	= 9.806	0.00234	1	33.438	0.01333	0.01328	0.009806
1 Btu/h	= 0.29327	0.00007	0.02989	1	0.0004	0.00039	0.00029
1 ch	= 736	0.17555	75	2,510	1	0.986	0.7355
1 hp	= 745.7	0.17811	76	2,542.12	1.01342	1	0.7457
1 Kw	= 1,000	0.23885	101.972	3,409.8	1.3596	1.341	1

CONVERSION OF UNITS OF ENERGY

	Joule	kcal	Btu	kgm	ch.h	hp.p	kWh
1 Joule	= 1	0.00023885	0.00094715	0.101971	0.000000378	0.000000372	0.000000278
1 kcal	= 4,186.8	1	3.964	426.8	0.001581	0.001556	0.001162
1 Btu	= 1,054.4	0.252	1	107.6	0.0003987	0.0003926	0.0002928
1 kgm	= 9.80665	0.002343	0.0092	1	0.000003703	0.00000365	0.000002724
1 ch.h	= 2,647,800	632.61	2,511	270,000	1	0.98632	0.736
1 hp.p	= 2,685,000	642.5	2,545	273,745	1.01387	1	0.74565
1 kWh	= 3,600,000	860.11	3,411	367,097	1.359622	1.34111	1

CONVERSION OF PRESSURE UNITS

	atm	kg/cm ²	bar	PSI	Pascal	mm H ² O	mm Hg
1 atm	= 1	1.033	1.0133	14.69	101,325	10,330	760
1 kg/cm ²	= 0.9678	1	0.981	14.223	98,066	10,000	735.56
1 bar	= 0.986	1.019	1	14.5	100,000	10,200	750.06
1 PSI	= 0.006804	0.07031	0.069	1	6,895	703.1	51.715
1 Pascal	= 0.00000987	0.0000102	0.00001	0.000145	1	0.1019	0.0075
1 mm H ² O	= 0.0000968	0.0001	0.0000981	0.00142	9.808	1	0.0735
1 mm Hg	= 0.0013159	0.0013159	0.001333	0.0193367	133.322	13.595	1

SPECIFIC ENTHALPY

	kJ/kg	kcal/kg	BTU/lb
1 kJ/kg	= 1	0.2388	0.43
1 kcal/kg	= 4.187	1	1.8
1 BTU/lb	= 2.326	0.5556	1

DENSITY AND VOLUME MASS

1 m ³ /kg	= 16.01 cu.ft./lb	1 cu.ft./lb	= 0.06424 m ³ /kg
1 kg/m ³	= 0.06424 cu.ft./lb	1 cu.ft./lb	= 16.01 m ³ /kg
1 cu.yd	= 0.7646 m ³	1 m ³	= 1.308 cu.yd

CONVERSION OF UNITS OF SURFACE AREA

1 cm ²	= 0.155 Sq.in	1 Sq.in	= 6.45 cm ²
1 m ²	= 10.764 Sq.ft	1 Sq.ft	= 929 cm ²
1 m ²	= 1.196 Sq.yd	1 Sq.yd	= 0.836 m ²

CONVERSION OF UNITS OF MEASUREMENT

1 m	= 1.094 yd	1 in	= 24.5 mm
1 m	= 3.281 ft	1 ft	= 0.3048 m
1 mm	= 0.03937 in	1 yd	= 0.9144 m
		1 ft = 12 in	1 yd = 3 ft

CONVERSION OF UNITS OF VOLUME

1 cu.in	= 16.387 cm ³	1 cm ³	= 0.061 cu.in
1 cu.ft	= 0.0283 m ³	1 dm ³	= 0.03531 cu.ft
1 cu.yd	= 0.7646 m ³	1 m ³	= 1.308 cu.yd

THERMAL CONDUCTIVITY

	W/m.K	kcal/m.h.°C	BTU/ft.h.°F
1 W/m.K	= 1	0.86	0.5779
1 kcal/m.h.°C	= 1.1626	1	0.672
1 BTU/ft.h.°F	= 1.73	1.488	1

COPPER PIPES

Ext. diameter	Thickness	
	inches	mm
1/4	6.35	1
3/8	9.52	1
1/2	12.70	1
5/8	15.07	1
3/4	19.05	1
7/8	22.22	1
1	25.40	1
1 1/8	28.57	1
1 3/8	34.92	1.24
1 5/8	41.27	1.24
2 1/8	53.97	1.65
2 5/8	66.67	2.1

$$T(^{\circ}\text{C}) = 5/9 \times (T(^{\circ}\text{F}) - 32)$$

Rejected power = Cold power + comp. power absorbed

COP = Cold power / Pabs

Power calculation [kW : kJ/s]

$P = Q_m \times C(\text{water}) \times \text{DT}$ or $P_{\text{sensitive}} = Q_v \times C(\text{air}) \times \text{DT}$

Q_m : mass flow kg/s

Q_v : volume flow m³/s

$$C: \text{heat by unit of weight of the water} \frac{4.18}{\text{kg} \times ^{\circ}\text{C}} \text{ kJ}$$

$$\text{specific heat of the air } 0.34 \frac{\text{kJ}}{\text{m}^3 \times ^{\circ}\text{C}}$$

DT: temperature difference °C

CONTACT US

With 130 locations in EMEA (Europe, Middle East, India and Africa Region), Trane has one of the most extended sales and services network staffed by a team of the industry's most experienced sales engineering resources, controls and service engineers and technicians. All are networked to provide uniform local support capabilities such as engineering expertise, application assistance, services, parts and on-site maintenance, repair and operation of your HVAC systems.

Don't lose time. Contact Trane today.

www.traneparts-emeia.com

Rakousko – Trane Austria GMBH
Liebermannstr. F03 202
A/2345 Brunn / Gebirge
Telefon: +43 2236 378400 0
Fax: +43 2236 378400 20

Německo – Parts Center Deutschland

Niederlassung Frankfurt
Siemensstr. 26
63755 Alzenau
Telefon: +49 6023 9430 515
Fax: +49 6023 9430 520
E-mail: Trane_GSA_Partcenter@trane.com

Švýcarsko – Trane Schweiz
Lerzenstr. 8
8953 Dietikon
Telefon: +41 44 745 3030
Fax: +41 44 745 3025
E-mail: info@trane.com

Česká republika – Trane ČR
Thámova 11/13
Praha 8
Praha 186 00
Telefon: +420 296 337 233
Fax: +420 296 337 215

Egypt – Trane S.A.E
45 Abdel-Hamid Badawi Street,
Heliopolis, Káhira
Telefon: +202 26241328 /42/59/64
Fax: +202 26241345 /54

Francie – Société Trane SAS
Service Pièces Détachées
Innovalia Batiment D
46-48 chemin de la Bruyere
69574 Dardilly
Telefon: 04 72 52 28 79
Fax: 04 72 52 28 97
E-mail: parts-center-France@trane.com

Řecko – Trane Hellas SA
18, Eriofilis str.
P.C. 15232
Halandri, Atény
Telefon: +30 210 811 2200
Fax: +30 210 683 9599

Maďarsko – Trane Hungária Kft.
Baross u. 165
Budaörs 2040
Telefon: +36 23 422 572
Fax: +36 23 420 646

Indie – Trane India Pvt. Ltd
11th Floor, Tower - A, Building No. 5,
DLF Cyber City, DLF Phase - III,
Gurgaon, Harijána - 122001, Indie
Telefon: +91 124 6729000
E-mail: infoindia@trane.com

Izrael – T.I. Solutions Ltd
P.O. Box 17017
Rishon Le Zion
Telefon: +972 3 9420800
Fax: +972 3 9514648

Itálie – Trane Italia SRL
Viale Europa, 30
20090 Cusago (MI)
Telefon: 02 9033 54 14
Fax: 02 9033 56 14
E-mail: Daniele_Asolan@trane.com

Kuvajt – Trane Kuwait Air Conditioning Co
Shuwaikh Industrial Area 70651
Sun City Complex
Block C, Office 33
Telefon: +965 2482 6207 / 248 262 08
Fax: +965 2482 6209

Libanon – Trane SA
Blvd Sin El-Fil
Mardini Center, 10th Floor
P.O.Box 901436
Jdaide
Telefon: +961 1 510 922
Fax: +961 1 510 927

Nizozemsko – Trane Airconditioning B.V.
Nieuwegracht 22
3763 LB Soest
Telefon: +31 35 603 93 00
Fax: +31 35 602 43 53
E-mail: PartsNL@trane.com

Polsko – Trane Polska Sp.z o.o.
ul.Kolejowa 5/7
01-217 Varšava
Telefon: +48 (0)22 434 77 00
Fax: +48 (0)22 434 77 01
E-mail: czesci-pl@trane.com

Portugalsko – Trane Portugal SEDE
Alameda Antonio Sergio, 7 - 2º Sala L
2795 Linda-a-Velha – Lisabon
Telefon: +351 214 146 200
Fax: +351 214 146 447
E-mail: pecas_traneportugal@trane.com

Rumunsko – Trane Romania SRL
Strada Cauzasi Nr.22B Sector 3
Bukurešť 030802
Telefon: +40 21 308 64 20
Fax: +40 21 327 05 95

Rusko – Trane Technologies LLC
Leninskaya sloboda Str 19, Bld.6
115280 Moskva
Telefon: +7 (495) 921-16-71
Fax: +7 (495) 921-16-70

Saúdská Arábie – Trane Inc
PO Box 15434
Musa Commercial Center
Tower # 4, 6th floor, Office # 466
Olaya Road
Rijád 11444
Telefon: +966 1 464 9735

Španělsko – Trane Aire Acondicionado, S.L.
Sede Central
C/ Casas de Miravete n°22B
Edificio 1B - 2º Planta
28031 Madrid
Telefon: +34 91 428 82 00
Fax: +34 91 362 43 19

Švédsko – Trane Sweden SA
Flygfaltsgatan 8
128 30 Skarpnäck
Telefon: +46 (0)8 556 13450
Fax: +46 (0)8 556 13451
E-mail: info@trane.se

Turecko – Trane Klima Ticaret A.S.
Atatürk Mahallesi Meriç Caddesi
1883 Ada 2.Parsel T-10 Blok
No:5 Turkuaz Plaza Kat:4
ATASEHIR (Istanbul)
Telefon: +90 216 556 50 00
Fax: +90 216 556 50 91

Spojené arabské emiráty – Trane BVBA
U-Bora Tower, 17th Floor
Downtown Burj Khalifa Region
Business Bay Road
Dubaj 31000
Telefon: +971 04 4285200
Fax: +971 04 4285390

Spojené království – Trane UK Limited
Harrow house - Bessemer road
Basingstoke, Hampshire,
RG21 3NB
Telefon: 01675 444024
Fax: 01675 444018

Trane Qatar LLC
Al Emadi Financial Square Building,
Building 1, 1st Floor,
C Ring Road
PO Box 200845
Dauhá, Katar
Kancelář: +974 44309004
Fax: +974 44377415



Trane® is a brand of Ingersoll Rand®. Ingersoll Rand (NYSE:IR) advances the quality of life by creating comfortable, sustainable and efficient environments. Our people and our family of brands—including Ingersoll Rand®, Trane®, Thermo King® and Club Car® — work together to enhance the quality and comfort of air in homes and buildings; transport and protect food and perishables; and increase industrial productivity and efficiency. We are a global business committed to a world of sustainable progress and enduring results.



engineer.trane.com

trane.com

ingersollrand.com

Trane has a policy of continuous product and product data improvement and reserves the right to change design and specifications without notice.
Trane bvba, Lenneke Marelaan 6, 1932 Sint-Stevens-Woluwe, Belgium, ON 0888.048.262 - RPR Brussels

We are committed to using environmentally conscious print practices that reduce waste.

© 2014 Trane – All rights reserved
PART-PRC002-E4 January 2014