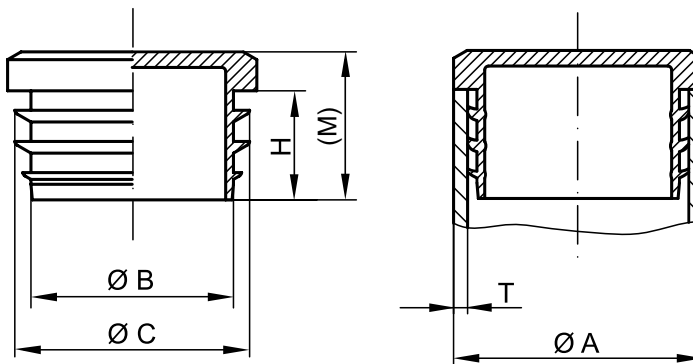


FINNED PLUGS

GPN 320

Free test samples:

+49 4442 982-9100

poeppelmann.com/en/gpn320


Standard colour: Black

Material: PE-LLD



Better fit.

To close off round pipes in accordance with DIN EN 10220, DIN EN 10255, and DIN EN ISO 1127.



More robust.

Solid design for increased demands.



More versatile.

Firm fit thanks to fins – also in case of dimension tolerances in the pipe.



Better.

High visual appeal due to grained top surface finish and chamfered edges.

Suitable for pipe dimensions

Dimensions

item	Suitable for pipe dimensions		Dimensions				Order no.
	External A	Wall thickness T	B	C	H	(M)	
GPN 320 GL 10 1 - 2	10	1 - 2	5	8.5	11	15	320 0010 0000
GPN 320 GL 12 1 - 2	12	1 - 2	7	10.5	11	15	320 0012 0000
GPN 320 GL 13 1 - 2	13	1 - 2	8	11.5	11	15	320 0013 0000
GPN 320 GL 14 1 - 2	14	1 - 2	9	12.5	11	15	320 0014 0000
GPN 320 GL 15 1 - 2	15	1 - 2	10	13.5	11	15	320 0015 0000
GPN 320 GL 16 1 - 2	16	1 - 2	11	14.5	11	15	320 0016 0000
GPN 320 GL 18 1 - 2	18	1 - 2	13	16.5	11	15	320 0018 0000
GPN 320 GL 20 1 - 2	20	1 - 2	15	18.5	11	15	320 0020 0000
GPN 320 GL 22 1 - 2	22	1 - 2	16	20.5	14	19	320 0022 0000
GPN 320 GL 25 1 - 2	25	1 - 2	19	23.5	14	19	320 0025 0000
GPN 320 GL 27 1 - 2	27	1 - 2	21	25.5	14	19	320 0027 0000
GPN 320 GL 28 1 - 2	28	1 - 2	22	26.5	14	19	320 0028 0000
GPN 320 GL 30 1 - 2	30	1 - 2	24	28.5	14	19	320 0030 0000
GPN 320 GL 32 1 - 2	32	1 - 2	26	30.5	14	19	320 0032 0000
GPN 320 GL 34 1 - 2	34	1 - 2	28	32.5	14	19	320 0034 0000
GPN 320 GL 35 1 - 2	35	1 - 2	29	33.5	14	19	320 0035 0000
GPN 320 GL 36 1 - 2	36	1 - 2	30	34.5	14	19	320 0036 0000
GPN 320 GL 38 1 - 2	38	1 - 2	32	36.5	14	19	320 0038 0000
GPN 320 GL 40 1 - 2	40	1 - 2	34	38.5	14	19	320 0040 0000
GPN 320 GL 42 1 - 2	42	1 - 2	36	40.5	14	19	320 0042 0000
GPN 320 GL 45 1 - 2	45	1 - 2	39	43.5	14	19	320 0045 0000
GPN 320 GL 48 1 - 2	48	1 - 2	42	46.5	14	19	320 0048 0000
GPN 320 GL 50 1 - 2	50	1 - 2	43	48.5	17	22	320 0050 0000
GPN 320 GL 55 1 - 2	55	1 - 2	48	53.5	17	22	320 0055 0000
GPN 320 GL 60 1 - 2	60	1 - 2	53	58.5	17	22	320 0060 0000
GPN 320 GL 60 2 - 3	60	2 - 3	51	56.5	17	22	320 0603 0000
GPN 320 GL 70 2 - 3	70	2 - 3	61	66.5	17	22	320 0070 0000
GPN 320 GL 70 3 - 4	70	3 - 4	59	64.5	17	22	320 0703 0000
GPN 320 GL 76 2 - 3	76	2 - 3	67	72.5	17	22	320 0076 0000
GPN 320 GL 76 3 - 4	76	3 - 4	65	70.5	17	22	320 0763 0000
GPN 320 GL 90 2 - 3	90	2 - 3	81	86.5	17	22	320 0090 0000
GPN 320 GL 90 3 - 4	90	3 - 4	79	84.5	17	22	320 0903 0000
GPN 320 GL 102 2 - 3	102	2 - 3	93	98.5	17	22	320 0102 0000
GPN 320 GL 102 3 - 4	102	3 - 4	91	96.5	17	22	320 1023 0000

Size in mm

For information regarding materials, colours, drawings and the use of our items, please refer to pages 124/125.

You might also be interested in the following products:

GPN 260, GPN 270, GPN 280, GPN 1000



PÖPPELMANN

KAPSTO®