

Optic rotary incremental encoders

- 50 mm case diameter
- 100 - 200 - 360 - 400 - 500 - 720 - 1000 - 1024
1800 - 2000 - 2048 - 2500 - 3600 - 4000 - 4096 - 5000 ppr.
- Push-pull, TTL Linedriver and HTL Linedriver outputs
- Shaft diameter 6 - 8 mm
- 3500 rpm max.

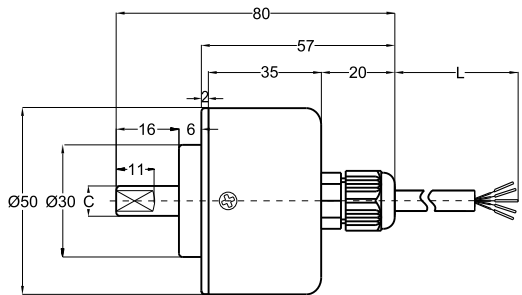


www.microlectra.nl

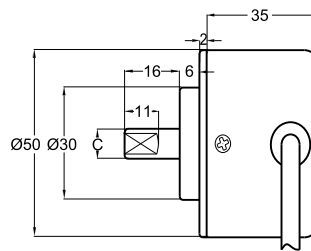
info@microlectra.nl

Technical Specifications

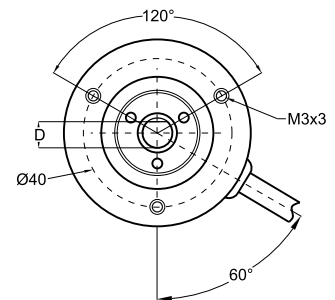
| | |
|---------------------------------------|--|
| Resolution | 100 to 5000 ppr. |
| Output Channels | A,B,Z or A,Ā, B,Ā, Z,Z̄ |
| Output Type | Pushpull, TTL Linedriver, HTL Linedriver |
| Supply Voltage | 5V DC or 8-24V DC or 5-24V DC |
| Power Consumption (without load) | < 40 mA (24 VDC) |
| Cable | 2.5m (Standard) 5 Wire + Shield for Pushpull 2.5m (Standard) 8 Wire + Shield for Linedriver |
| Max. Permissible Shaft Loading Radial | 100 N |
| Axial | 60 N |
| Max. Speed | 3.500 rpm |
| Shaft Diameter | Ø6 - 8 mm |
| Shaft Material | Stainless Steel |
| Case Diameter | Ø50 mm |
| Case Material | Aluminium and Painted Steel |
| IP Degree | IP 54 |
| Operating Temperature | -20°C ... +80°C |
| Storage Temperature | -30°C ... +90°C |



Shaft Type / Axial



Shaft Type / Radial



| | | |
|--------|--------------|-----|
| PRI 50 | R (shaft) | |
| | C | D |
| | Ø6mm | 5mm |
| | Ø8mm | 7mm |

Push-pull Cable Output

+V : Brown
0V : White
GND : Shield
Ch A : Yellow
Ch B : Green
Ch Z : Gray

TTL - HTL Linedriver Cable Output

+V : Brown
0V : White
GND : Shield
Ch A : Yellow
Ch B : Green
Ch Z : Gray
Ch A inv.: Blue
Ch B inv.: Red
Ch Z inv.: Pink

| Model | Case Diameter | Case Type | Shaft Diameter | Output Type | Resolution | Output Channels | Supply Voltage | Connector / Cable | Cable Output |
|---------------|---------------|---------------------|----------------------|---|-------------------|-------------------------|--|---|-------------------------|
| (example) PRI | 50 | A | R6 | HLD | 1024 | Z | V2 | 2M5 | R |
| PRI | 50mm | A : Clamping flange | R6 : 6mm R8 : 8mm | LTP : Push-pull TTL : TTL Linedriver HLD : HTL Linedriver | 100 ... 5000 ppr. | Z : A, B, Z B : A, B | V1 : 5V DC V2 : 8-24V DC V3 : 5-24V DC | 2M5 : 2.5 meter cable 5M : 5 meter cable 8M : 8 meter cable 10M : 10 meter cable | R : Radial A : Axial |