



Receptacles AUTOMOTIVE

#16 AWG PVC 12-inch leads – auto color code, epoxy potted
 Straight and 90° male – straight female
 Low-resistance contact design with gold/palladium nickel plating

	3P	5P
MALE FACE VIEW		
COLOR CODE	1- green-gnd 2- red w/ #2 3- red w/ #3	1- red w/ #1 2- red w/ #2 3- green-gnd 4- red w/ #4 5- red w/ #5
VOLTAGE	600V AC/DC	600V AC/DC
CURRENT	13A	8A
CONDUCTOR	#16-3	#16-5

MALE	FIG	RECEPTACLES WITH #16 AWG PVC LEADS 12 INCHES LONG	
STRAIGHT WITH 1/2" -14NPT	1	1R3006A24A120	1R5006A24A120
90° WITH 1/2" -14NPT	2	1R3007A24A120	1R5007A24A120

FEMALE	FIG	RECEPTACLES WITH #16 AWG PVC LEADS 12 INCHES LONG	
STRAIGHT WITH 1/2" -14NPT	3	1R3004A24A120	1R5004A24A120

PART NO.	ACCESSORIES
5601	Locknut 1/2" -14NPT, zinc plated steel
5611	Gasket, black neoprene

CATALOG OPTIONS

Use the following chart to modify your part's specifications

1R3006A24A1201

LEAD LENGTH

- 3' F030
- 6' F060

SHELL

STAINLESS STEEL SHELL .ADD 1
 (AVAILABLE ON STRAIGHT ONLY)

Specifications



MECHANICAL

SHELL: STRAIGHT & 90° ZINC DIECAST W/ BLACK EPOXY COAT, OPTIONAL STAINLESS STEEL TYPE 303 ON STRAIGHT SHELL DESIGN

INSERT: PVC - UL STD 94 - V0

CONDUCTORS: #16 AWG PVC INSULATION OVER 26 X #30 COPPER STRANDING, 600V, UL STYLE 1015, CSA TEW

ELECTRICAL

VOLTAGE RATING: 600 V AC/DC

AMPERAGE: 3P - 13A

5P - 8A

ENVIRONMENTAL

PROTECTION: IP 68, NEMA 6P

AMBIENT OPERATING TEMP: -4° TO 221° F (-20° TO 105° C)

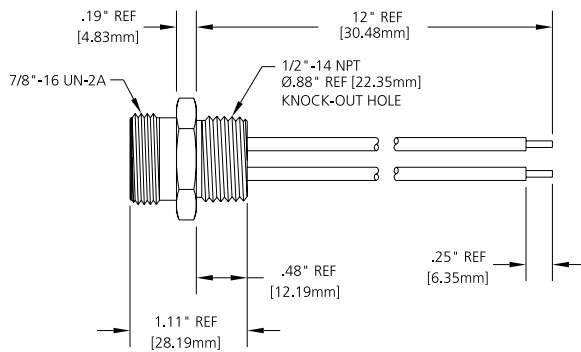
CERTIFICATIONS

UL: UL RECOGNIZED, FILE NO. E46237

CSA: CSA CERTIFIED, FILE NO. LR6837

RECEPTACLE DIMENSIONS

MALE STRAIGHT WITH 1/2" - 14NPT THREADS



TYPICAL KNOCKOUT

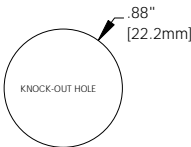
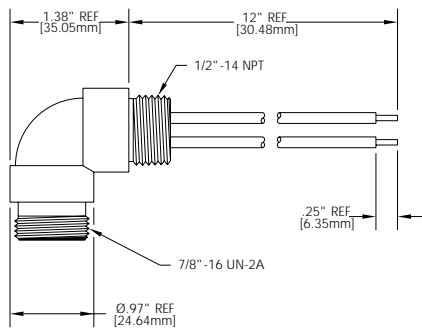
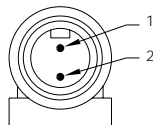


FIG 1

MALE 90° WITH 1/2" - 14NPT THREADS



TYPICAL MALE FACE VIEW



TYPICAL FEMALE FACE VIEW

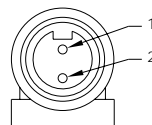
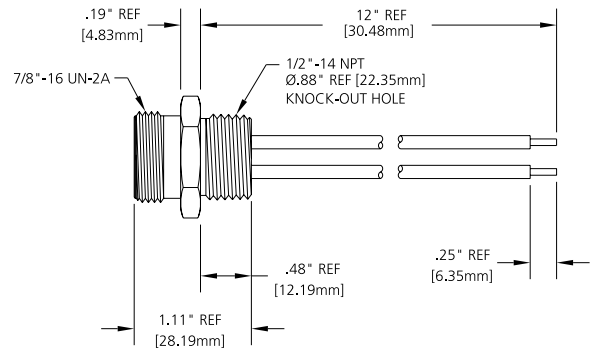
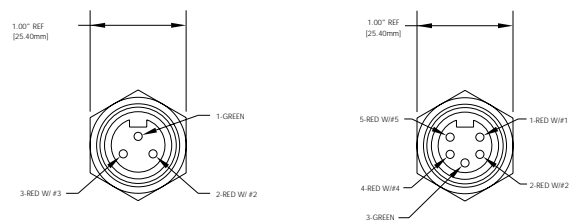


FIG 2

FEMALE STRAIGHT W/ 1/2" - 14NPT THREADS



FEMALE FACE VIEW



3P

5P

TYPICAL KNOCKOUT

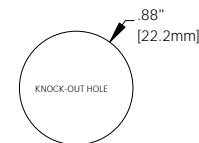


FIG 3