



Cartridge Valves Technical Information

Solenoid Valves

2-Way, 2-Position Spool

SV08-23-01



OPERATION

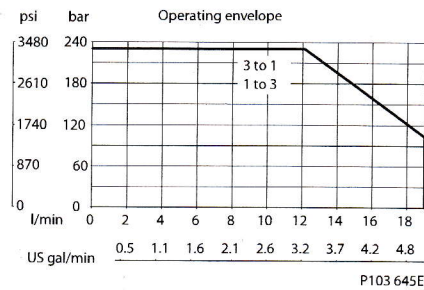
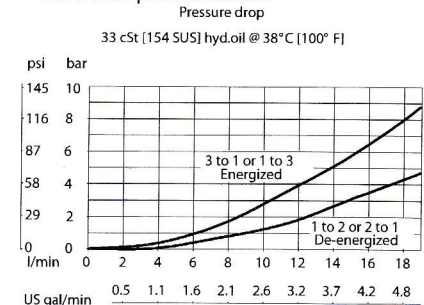
This is a direct-acting, 2-position, 3-way, spool-type solenoid valve.

SPECIFICATIONS

Specifications

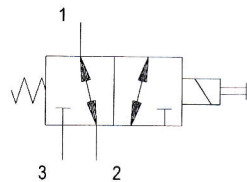
Rated pressure	230 bar [3300 psi]
Rated flow at 7 bar [100 psi]	17 l/min [5 US gal/min]
Weight	0.31 kg [0.68 lb]
Cavity	SDC08-3
Standard Coil	M13 20 Watt
Robust Coil	R13 16 Watt Robust Nut P/N 173804910 (no coil O-rings needed)

Theoretical performance



P103 645E

Schematic

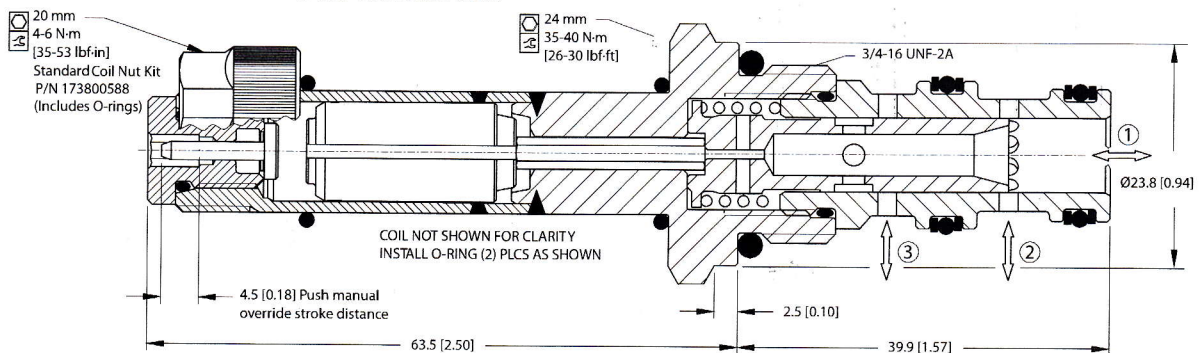


P108 332E

DIMENSIONS

mm [in]

Cross-sectional view



P103 463

ORDERING INFORMATION

SV08-23-01-12D-DN-B-00

Coil voltage
 00 = No Coil
 12D = 12 VDC (Standard Coil)
 24D = 24 VDC (Standard Coil)
 R12D = 12 VDC (R-Coil)
 R24D = 24 VDC (R-Coil)
Coil termination:
 00 = No Coil
 FL = Flying Lead
 DN = DIN 43650 *
 DE = Deutsch
 AJ = Amp Junior *
 SP = Spade *
 AS = AMP SuperSeal 1.5 and Metri-Pack 150 type 1

Body and ports
 00 = Cartridge only
 SE2B = AI, 1/4 BSP
 SE3B = AI, 3/8 BSP
 4S = AI, #4 SAE
 6S = AI, #6 SAE
 Other housings available
Seals
 B = Buna-N
 V = Viton

Body Nomenclature
 No Body
 SDC08-3-SE2B
 SDC08-3-SE3B
 CP08-3-4S
 CP08-3-6S

Seals kit
 354003210
 354003819

P103 425E

*These terminations are not available on robust coil (R12D, R24D)