

# 2120 H-FT

# FLAT TOP BELTS (Pitch 1/2" - 12.7 mm)

### Version standard

**Backflex radius:** 10 mm  
**Max load capacity:** 20.000 N/m  
**Weight:** 8.8 Kg/m<sup>2</sup> (FT),  
 7.7 Kg/m<sup>2</sup> (FG)  
**Standard length:** 240 pitches  
 (10 ft - 3.048 m)  
**Pin material:** PBT (white)


### Standard materials


LFG	NGG
Low Friction Acetal Resin	New Generation


On request and for adequate quantities  
these chains can be produced in:

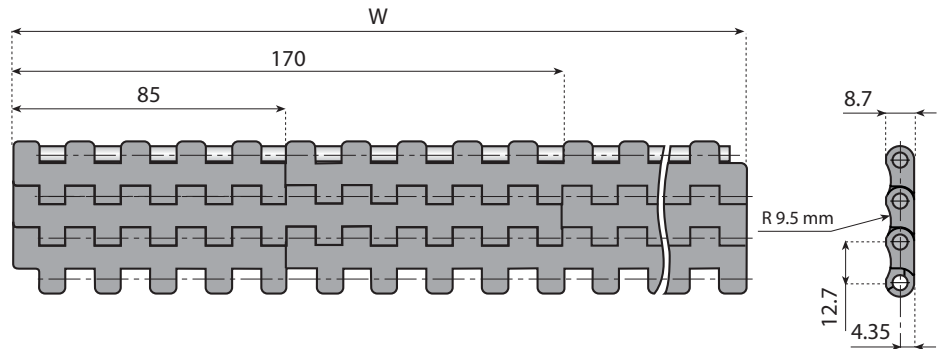
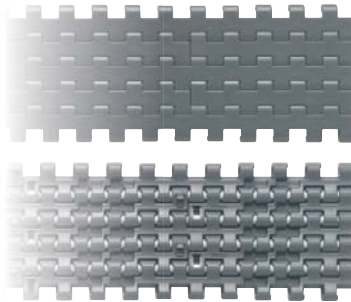
XPG	PP	AS
Extra Performance	Polypropylene	Anti-static Acetal Resin

**MATERIAL** Pages 4⇒7

 Pages 306⇒308 +310

 Page 112

 Pages 333⇒337



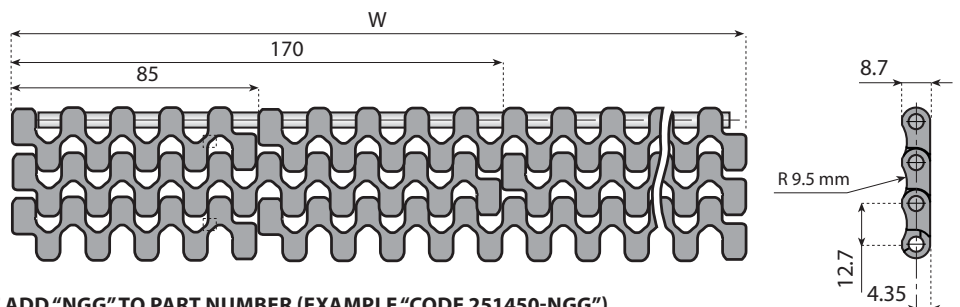
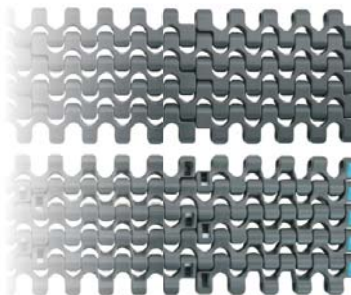
FOR BELTS AVAILABLE IN "NGG" MATERIAL JUST ADD "NGG" TO PART NUMBER (EXAMPLE "CODE 251400H-NGG")

Width W mm	Belts Ref.	Code	Width W mm	Belts Ref.	Code	Width W mm	Belts Ref.	Code	Width W mm	Belts Ref.	Code
85	2120-0085-H-FT	251400H	935	2120-0935-H-FT	251410H	1785	2120-1785-H-FT	251420H	2635	2120-2635-H-FT	251430H
170	2120-0170-H-FT	251401H	1020	2120-1020-H-FT	251411H	1870	2120-1870-H-FT	251421H	2720	2120-2720-H-FT	251431H
255	2120-0255-H-FT	251402H	1105	2120-1105-H-FT	251412H	1955	2120-1955-H-FT	251422H	2805	2120-2805-H-FT	251432H
340	2120-0340-H-FT	251403H	1190	2120-1190-H-FT	251413H	2040	2120-2040-H-FT	251423H	2890	2120-2890-H-FT	251433H
425	2120-0425-H-FT	251404H	1275	2120-1275-H-FT	251414H	2125	2120-2125-H-FT	251424H	2975	2120-2975-H-FT	251434H
510	2120-0510-H-FT	251405H	1360	2120-1360-H-FT	251415H	2210	2120-2210-H-FT	251425H	3060	2120-3060-H-FT	251435H
595	2120-0595-H-FT	251406H	1445	2120-1445-H-FT	251416H	2295	2120-2295-H-FT	251426H	3145	2120-3145-H-FT	251436H
680	2120-0680-H-FT	251407H	1530	2120-1530-H-FT	251417H	2380	2120-2380-H-FT	251427H	3230	2120-3230-H-FT	251437H
765	2120-0765-H-FT	251408H	1615	2120-1615-H-FT	251418H	2465	2120-2465-H-FT	251428H	3315	2120-3315-H-FT	251438H
850	2120-0850-H-FT	251409H	1700	2120-1700-H-FT	251419H	2550	2120-2550-H-FT	251429H	3400	2120-3400-H-FT	251439H

# 2120 FG

# FLUSH GRID BELTS (Pitch 1/2" - 12.7 mm)

Open surface: 21%



FOR BELTS AVAILABLE IN "NGG" MATERIAL JUST ADD "NGG" TO PART NUMBER (EXAMPLE "CODE 251450-NGG")

Width W mm	Belts Ref.	Code	Width W mm	Belts Ref.	Code	Width W mm	Belts Ref.	Code	Width W mm	Belts Ref.	Code
85	2120-0085 FG	251450	935	2120-0935 FG	251460	1785	2120-1785 FG	251470	2635	2120-2635 FG	251480
170	2120-0170 FG	251451	1020	2120-1020 FG	251461	1870	2120-1870 FG	251471	2720	2120-2720 FG	251481
255	2120-0255 FG	251452	1105	2120-1105 FG	251462	1955	2120-1955 FG	251472	2805	2120-2805 FG	251482
340	2120-0340 FG	251453	1190	2120-1190 FG	251463	2040	2120-2040 FG	251473	2890	2120-2890 FG	251483
425	2120-0425 FG	251454	1275	2120-1275 FG	251464	2125	2120-2125 FG	251474	2975	2120-2975 FG	251484
510	2120-0510 FG	251455	1360	2120-1360 FG	251465	2210	2120-2210 FG	251475	3060	2120-3060 FG	251485
595	2120-0595 FG	251456	1445	2120-1445 FG	251466	2295	2120-2295 FG	251476	3145	2120-3145 FG	251486
680	2120-0680 FG	251457	1530	2120-1530 FG	251467	2380	2120-2380 FG	251477	3230	2120-3230 FG	251487
765	2120-0765 FG	251458	1615	2120-1615 FG	251468	2465	2120-2465 FG	251478	3315	2120-3315 FG	251488
850	2120-0850 FG	251459	1700	2120-1700 FG	251469	2550	2120-2550 FG	251479	3400	2120-3400 FG	251489

Other widths available on request.

# FLAT TOP BELTS (Pitch 1/2" - 12.7 mm)

# 2120 H-FTP1





**Version with one positioner**  
**Backflex radius:** 10 mm  
**Max load capacity:** 20.000 N/m  
**Weight:** 8.8 Kg/m<sup>2</sup> (FT),  
 7.7 Kg/m<sup>2</sup> (FG)  
**Standard length:** 240 pitches  
 (10 ft - 3.048 m)  
**Pin material:** PBT (white)

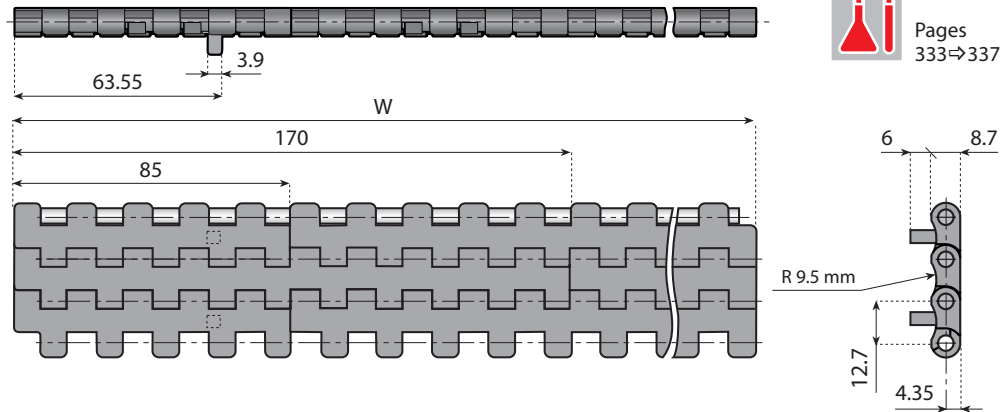
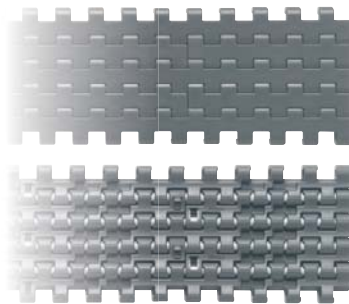
### Standard materials

LFG	NGG
Low Friction Acetal Resin	New Generation

On request and for adequate quantities these chains can be produced in:

XPG	PP	AS
Extra Performance	Polypropylene	Anti-static Acetal Resin

-  Pages 4→7
-  Pages 306→308 +310
-  Page 112
-  Pages 333→337



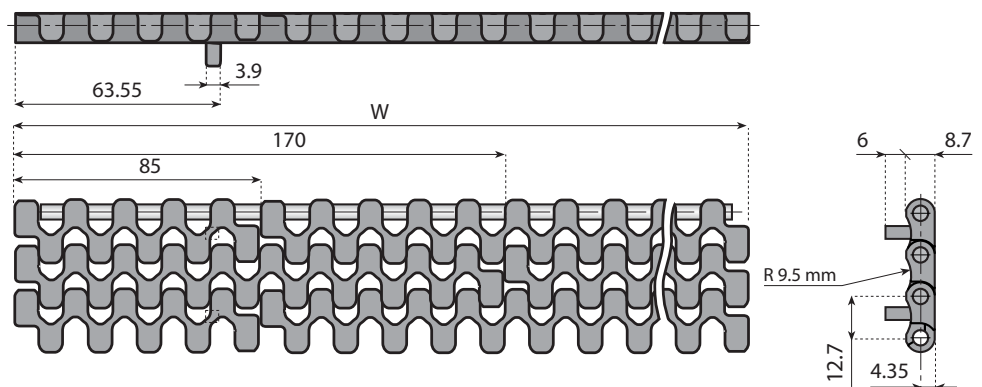
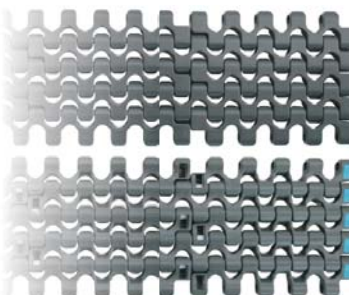
FOR BELTS AVAILABLE IN "NGG" MATERIAL JUST ADD "NGG" TO PART NUMBER (EXAMPLE "CODE 251500H-NGG")

Width W mm	Belts Ref.	Code	Width W mm	Belts Ref.	Code	Width W mm	Belts Ref.	Code	Width W mm	Belts Ref.	Code
85	2120-0085 H-FTP1	<b>251500H</b>	935	2120-0935 H-FTP1	<b>251510H</b>	1785	2120-1785 H-FTP1	<b>251520H</b>	2635	2120-2635 H-FTP1	<b>251530H</b>
170	2120-0170 H-FTP1	<b>251501H</b>	1020	2120-1020 H-FTP1	<b>251511H</b>	1870	2120-1870 H-FTP1	<b>251521H</b>	2720	2120-2720 H-FTP1	<b>251531H</b>
255	2120-0255 H-FTP1	<b>251502H</b>	1105	2120-1105 H-FTP1	<b>251512H</b>	1955	2120-1955 H-FTP1	<b>251522H</b>	2805	2120-2805 H-FTP1	<b>251532H</b>
340	2120-0340 H-FTP1	<b>251503H</b>	1190	2120-1190 H-FTP1	<b>251513H</b>	2040	2120-2040 H-FTP1	<b>251523H</b>	2890	2120-2890 H-FTP1	<b>251533H</b>
425	2120-0425 H-FTP1	<b>251504H</b>	1275	2120-1275 H-FTP1	<b>251514H</b>	2125	2120-2125 H-FTP1	<b>251524H</b>	2975	2120-2975 H-FTP1	<b>251534H</b>
510	2120-0510 H-FTP1	<b>251505H</b>	1360	2120-1360 H-FTP1	<b>251515H</b>	2210	2120-2210 H-FTP1	<b>251525H</b>	3060	2120-3060 H-FTP1	<b>251535H</b>
595	2120-0595 H-FTP1	<b>251506H</b>	1445	2120-1445 H-FTP1	<b>251516H</b>	2295	2120-2295 H-FTP1	<b>251526H</b>	3145	2120-3145 H-FTP1	<b>251536H</b>
680	2120-0680 H-FTP1	<b>251507H</b>	1530	2120-1530 H-FTP1	<b>251517H</b>	2380	2120-2380 H-FTP1	<b>251527H</b>	3230	2120-3230 H-FTP1	<b>251537H</b>
765	2120-0765 H-FTP1	<b>251508H</b>	1615	2120-1615 H-FTP1	<b>251518H</b>	2465	2120-2465 H-FTP1	<b>251528H</b>	3315	2120-3315 H-FTP1	<b>251538H</b>
850	2120-0850 H-FTP1	<b>251509H</b>	1700	2120-1700 H-FTP1	<b>251519H</b>	2550	2120-2550 H-FTP1	<b>251529H</b>	3400	2120-3400 H-FTP1	<b>251539H</b>

# FLUSH GRID BELTS (Pitch 1/2" - 12.7 mm)

# 2120 FGP1

**Open surface:** 21%



FOR BELTS AVAILABLE IN "NGG" MATERIAL JUST ADD "NGG" TO PART NUMBER (EXAMPLE "CODE 251550-NGG")

Width W mm	Belts Ref.	Code	Width W mm	Belts Ref.	Code	Width W mm	Belts Ref.	Code	Width W mm	Belts Ref.	Code
85	2120-0085 FGP1	<b>251550</b>	935	2120-0935 FGP1	<b>251560</b>	1785	2120-1785 FGP1	<b>251570</b>	2635	2120-2635 FGP1	<b>251580</b>
170	2120-0170 FGP1	<b>251551</b>	1020	2120-1020 FGP1	<b>251561</b>	1870	2120-1870 FGP1	<b>251571</b>	2720	2120-2720 FGP1	<b>251581</b>
255	2120-0255 FGP1	<b>251552</b>	1105	2120-1105 FGP1	<b>251562</b>	1955	2120-1955 FGP1	<b>251572</b>	2805	2120-2805 FGP1	<b>251582</b>
340	2120-0340 FGP1	<b>251553</b>	1190	2120-1190 FGP1	<b>251563</b>	2040	2120-2040 FGP1	<b>251573</b>	2890	2120-2890 FGP1	<b>251583</b>
425	2120-0425 FGP1	<b>251554</b>	1275	2120-1275 FGP1	<b>251564</b>	2125	2120-2125 FGP1	<b>251574</b>	2975	2120-2975 FGP1	<b>251584</b>
510	2120-0510 FGP1	<b>251555</b>	1360	2120-1360 FGP1	<b>251565</b>	2210	2120-2210 FGP1	<b>251575</b>	3060	2120-3060 FGP1	<b>251585</b>
595	2120-0595 FGP1	<b>251556</b>	1445	2120-1445 FGP1	<b>251566</b>	2295	2120-2295 FGP1	<b>251576</b>	3145	2120-3145 FGP1	<b>251586</b>
680	2120-0680 FGP1	<b>251557</b>	1530	2120-1530 FGP1	<b>251567</b>	2380	2120-2380 FGP1	<b>251577</b>	3230	2120-3230 FGP1	<b>251587</b>
765	2120-0765 FGP1	<b>251558</b>	1615	2120-1615 FGP1	<b>251568</b>	2465	2120-2465 FGP1	<b>251578</b>	3315	2120-3315 FGP1	<b>251588</b>
850	2120-0850 FGP1	<b>251559</b>	1700	2120-1700 FGP1	<b>251569</b>	2550	2120-2550 FGP1	<b>251579</b>	3400	2120-3400 FGP1	<b>251589</b>

Other widths available on request.

# 2120 H-FTP2B

# FLAT TOP BELTS (Pitch 1/2" - 12.7 mm)





**Version with one positioner on both sides**  
**Backflex radius:** 10 mm  
**Max load capacity:** 20.000 N/m  
**Weight:** 8.8 Kg/m<sup>2</sup> (FT), 7.7 Kg/m<sup>2</sup> (FG)  
**Standard length:** 240 pitches (10 ft - 3.048 m)  
**Pin material:** PBT (white)

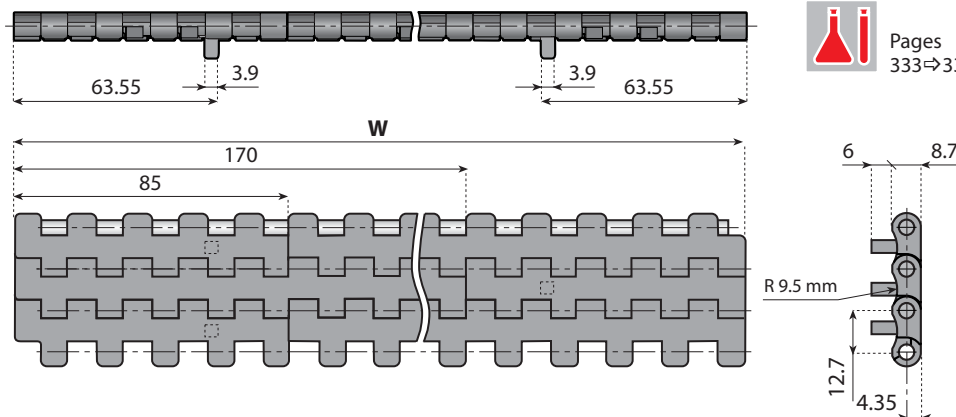
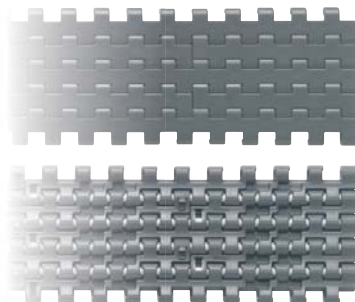
### Standard materials

LFG	NGG
Low Friction Acetal Resin	New Generation

On request and for adequate quantities these chains can be produced in:

XPG	PP	AS
Extra Performance	Polypropylene	Anti-static Acetal Resin

-  Pages 4⇒7
-  Pages 306⇒308 +310
-  Page 112
-  Pages 333⇒337



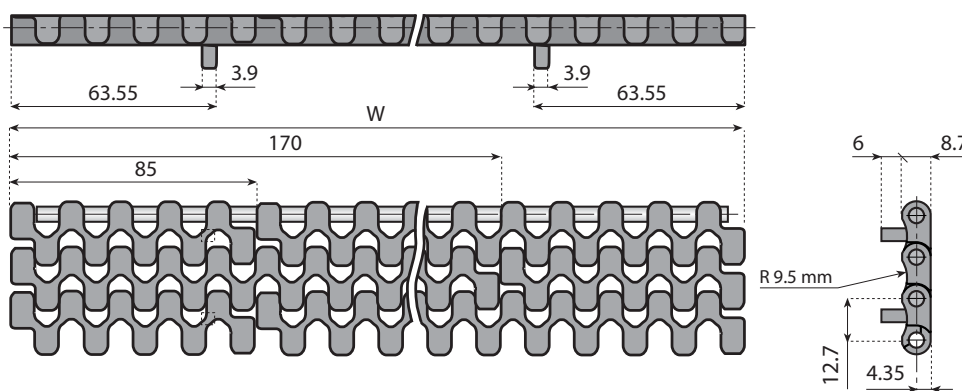
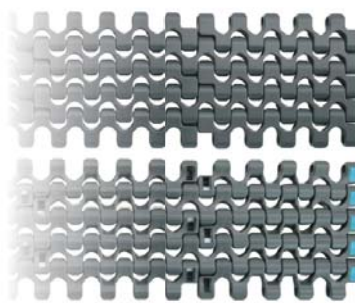
FOR BELTS AVAILABLE IN "NGG" MATERIAL JUST ADD "NGG" TO PART NUMBER (EXAMPLE "CODE 254501H-NGG")

Width W mm	Belts Ref.	Code	Width W mm	Belts Ref.	Code	Width W mm	Belts Ref.	Code	Width W mm	Belts Ref.	Code
85	-	-	935	2120-0935 H-FTP2B	254510H	1785	2120-1785 H-FTP2B	254520H	2635	2120-2635 H-FTP2B	254530H
170	2120-0170 H-FTP2B	254501H	1020	2120-1020 H-FTP2B	254511H	1870	2120-1870 H-FTP2B	254521H	2720	2120-2720 H-FTP2B	254531H
255	2120-0255H-FTP2B	254502H	1105	2120-1105 H-FTP2B	254512H	1955	2120-1955 H-FTP2B	254522H	2805	2120-2805 H-FTP2B	254532H
340	2120-0340 H-FTP2B	254503H	1190	2120-1190 H-FTP2B	254513H	2040	2120-2040 H-FTP2B	254523H	2890	2120-2890 H-FTP2B	254533H
425	2120-0425 H-FTP2B	254504H	1275	2120-1275 H-FTP2B	254514H	2125	2120-2125 H-FTP2B	254524H	2975	2120-2975 H-FTP2B	254534H
510	2120-0510 H-FTP2B	254505H	1360	2120-1360 H-FTP2B	254515H	2210	2120-2210 H-FTP2B	254525H	3060	2120-3060 H-FTP2B	254535H
595	2120-0595 H-FTP2B	254506H	1445	2120-1445 H-FTP2B	254516H	2295	2120-2295 H-FTP2B	254526H	3145	2120-3145 H-FTP2B	254536H
680	2120-0680 H-FTP2B	254507H	1530	2120-1530 H-FTP2B	254517H	2380	2120-2380 H-FTP2B	254527H	3230	2120-3230 H-FTP2B	254537H
765	2120-0765 H-FTP2B	254508H	1615	2120-1615 H-FTP2B	254518H	2465	2120-2465 H-FTP2B	254528H	3315	2120-3315 H-FTP2B	254538H
850	2120-0850 H-FTP2B	254509H	1700	2120-1700 H-FTP2B	254519H	2550	2120-2550 H-FTP2B	254529H	3400	2120-3400 H-FTP2B	254539H

# 2120 FGP2B

# FLUSH GRID BELTS (Pitch 1/2" - 12.7 mm)

**Open surface: 21%**



FOR BELTS AVAILABLE IN "NGG" MATERIAL JUST ADD "NGG" TO PART NUMBER (EXAMPLE "CODE 254551-NGG")

Width W mm	Belts Ref.	Code	Width W mm	Belts Ref.	Code	Width W mm	Belts Ref.	Code	Width W mm	Belts Ref.	Code
85	-	-	935	2120-0935 FGP2B	254560	1785	2120-1785 FGP2B	254570	2635	2120-2635 FGP2B	254580
170	2120-0170 FGP2B	254551	1020	2120-1020 FGP2B	254561	1870	2120-1870 FGP2B	254571	2720	2120-2720 FGP2B	254581
255	2120-0255 FGP2B	254552	1105	2120-1105 FGP2B	254562	1955	2120-1955 FGP2B	254572	2805	2120-2805 FGP2B	254582
340	2120-0340 FGP2B	254553	1190	2120-1190 FGP2B	254563	2040	2120-2040 FGP2B	254573	2890	2120-2890 FGP2B	254583
425	2120-0425 FGP2B	254554	1275	2120-1275 FGP2B	254564	2125	2120-2125 FGP2B	254574	2975	2120-2975 FGP2B	254584
510	2120-0510 FGP2B	254555	1360	2120-1360 FGP2B	254565	2210	2120-2210 FGP2B	254575	3060	2120-3060 FGP2B	254585
595	2120-0595 FGP2B	254556	1445	2120-1445 FGP2B	254566	2295	2120-2295 FGP2B	254576	3145	2120-3145 FGP2B	254586
680	2120-0680 FGP2B	254557	1530	2120-1530 FGP2B	254567	2380	2120-2380 FGP2B	254577	3230	2120-3230 FGP2B	254587
765	2120-0765 FGP2B	254558	1615	2120-1615 FGP2B	254568	2465	2120-2465 FGP2B	254578	3315	2120-3315 FGP2B	254588
850	2120-0850 FGP2B	254559	1700	2120-1700 FGP2B	254569	2550	2120-2550 FGP2B	254579	3400	2120-3400 FGP2B	254589

Other widths available on request.

# FLAT TOP BELTS (Pitch 1/2" - 12.7 mm)

# 2120 H-FTP2





**Version with two positioners**  
**Backflex radius:** 10 mm  
**Max load capacity:** 20.000 N/m  
**Weight:** 8.8 Kg/m<sup>2</sup> (FT),  
 7.7 Kg/m<sup>2</sup> (FG)  
**Standard length:** 240 pitches  
 (10 ft - 3.048 m)  
**Pin material:** PBT (white)

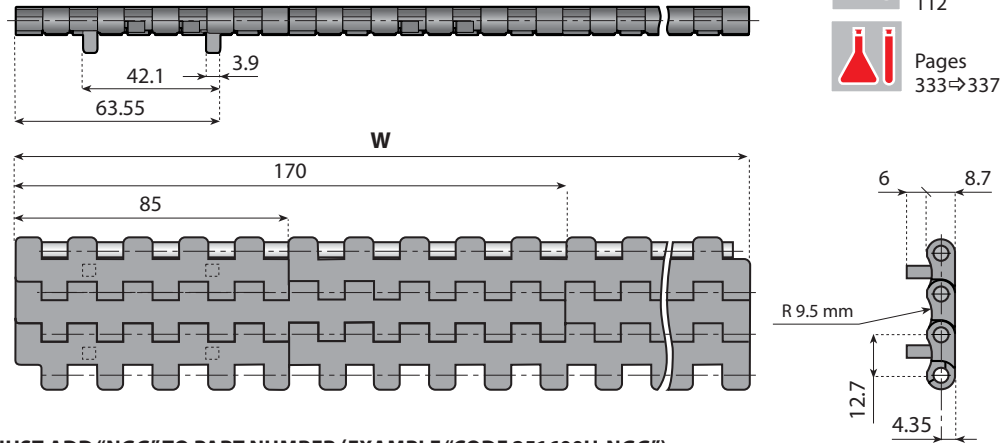
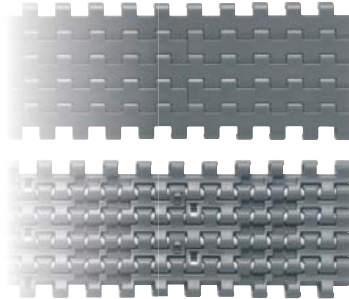
### Standard materials

LFG	NGG
Low Friction Acetal Resin	New Generation

On request and for adequate quantities these chains can be produced in:

XPG	PP	AS
Extra Performance	Polypropylene	Anti-static Acetal Resin

-  Pages 4⇨7
-  Pages 306⇨308 +310
-  Page 112
-  Pages 333⇨337



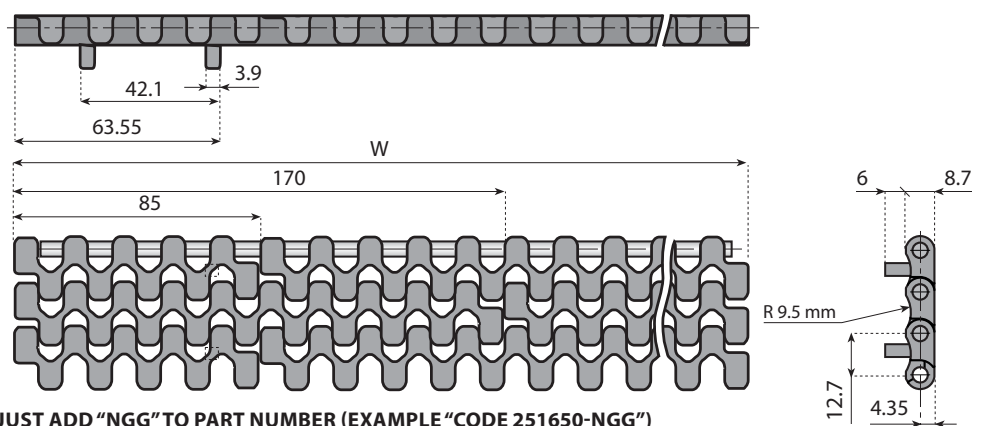
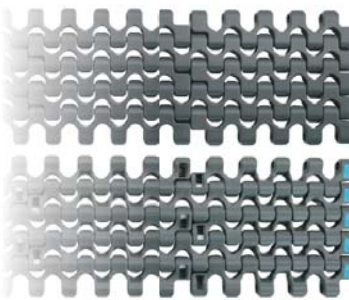
FOR BELTS AVAILABLE IN "NGG" MATERIAL JUST ADD "NGG" TO PART NUMBER (EXAMPLE "CODE 251600H-NGG")

Width W mm	Belts Ref.	Code	Width W mm	Belts Ref.	Code	Width W mm	Belts Ref.	Code	Width W mm	Belts Ref.	Code
85	2120-0085 H-FTP2	251600H	935	2120-0935 H-FTP2	251610H	1785	2120-1785 H-FTP2	251620H	2635	2120-2635 H-FTP2	251630H
170	2120-0170 H-FTP2	251601H	1020	2120-1020 H-FTP2	251611H	1870	2120-1870 H-FTP2	251621H	2720	2120-2720 H-FTP2	251631H
255	2120-0255H-FTP2	251602H	1105	2120-1105 H-FTP2	251612H	1955	2120-1955 H-FTP2	251622H	2805	2120-2805 H-FTP2	251632H
340	2120-0340 H-FTP2	251603H	1190	2120-1190 H-FTP2	251613H	2040	2120-2040 H-FTP2	251623H	2890	2120-2890 H-FTP2	251633H
425	2120-0425 H-FTP2	251604H	1275	2120-1275 H-FTP2	251614H	2125	2120-2125 H-FTP2	251624H	2975	2120-2975 H-FTP2	251634H
510	2120-0510 H-FTP2	251605H	1360	2120-1360 H-FTP2	251615H	2210	2120-2210 H-FTP2	251625H	3060	2120-3060 H-FTP2	251635H
595	2120-0595 H-FTP2	251606H	1445	2120-1445 H-FTP2	251616H	2295	2120-2295 H-FTP2	251626H	3145	2120-3145 H-FTP2	251636H
680	2120-0680 H-FTP2	251607H	1530	2120-1530 H-FTP2	251617H	2380	2120-2380 H-FTP2	251627H	3230	2120-3230 H-FTP2	251637H
765	2120-0765 H-FTP2	251608H	1615	2120-1615 H-FTP2	251618H	2465	2120-2465 H-FTP2	251628H	3315	2120-3315 H-FTP2	251638H
850	2120-0850 H-FTP2	251609H	1700	2120-1700 H-FTP2	251619H	2550	2120-2550 H-FTP2	251629H	3400	2120-3400 H-FTP2	251639H

# FLUSH GRID BELTS (Pitch 1/2" - 12.7 mm)

# 2120 FGP2

**Open surface:** 21%



FOR BELTS AVAILABLE IN "NGG" MATERIAL JUST ADD "NGG" TO PART NUMBER (EXAMPLE "CODE 251650-NGG")

Width W mm	Belts Ref.	Code	Width W mm	Belts Ref.	Code	Width W mm	Belts Ref.	Code	Width W mm	Belts Ref.	Code
85	2120-0085 FGP2	251650	935	2120-0935 FGP2	251660	1785	2120-1785 FGP2	251670	2635	2120-2635 FGP2	251680
170	2120-0170 FGP2	251651	1020	2120-1020 FGP2	251661	1870	2120-1870 FGP2	251671	2720	2120-2720 FGP2	251681
255	2120-0255 FGP2	251652	1105	2120-1105 FGP2	251662	1955	2120-1955 FGP2	251672	2805	2120-2805 FGP2	251682
340	2120-0340 FGP2	251653	1190	2120-1190 FGP2	251663	2040	2120-2040 FGP2	251673	2890	2120-2890 FGP2	251683
425	2120-0425 FGP2	251654	1275	2120-1275 FGP2	251664	2125	2120-2125 FGP2	251674	2975	2120-2975 FGP2	251684
510	2120-0510 FGP2	251655	1360	2120-1360 FGP2	251665	2210	2120-2210 FGP2	251675	3060	2120-3060 FGP2	251685
595	2120-0595 FGP2	251656	1445	2120-1445 FGP2	251666	2295	2120-2295 FGP2	251676	3145	2120-3145 FGP2	251686
680	2120-0680 FGP2	251657	1530	2120-1530 FGP2	251667	2380	2120-2380 FGP2	251677	3230	2120-3230 FGP2	251687
765	2120-0765 FGP2	251658	1615	2120-1615 FGP2	251668	2465	2120-2465 FGP2	251678	3315	2120-3315 FGP2	251688
850	2120-0850 FGP2	251659	1700	2120-1700 FGP2	251669	2550	2120-2550 FGP2	251679	3400	2120-3400 FGP2	251689

Other widths available on request.

# 2120 H-FTP2BD

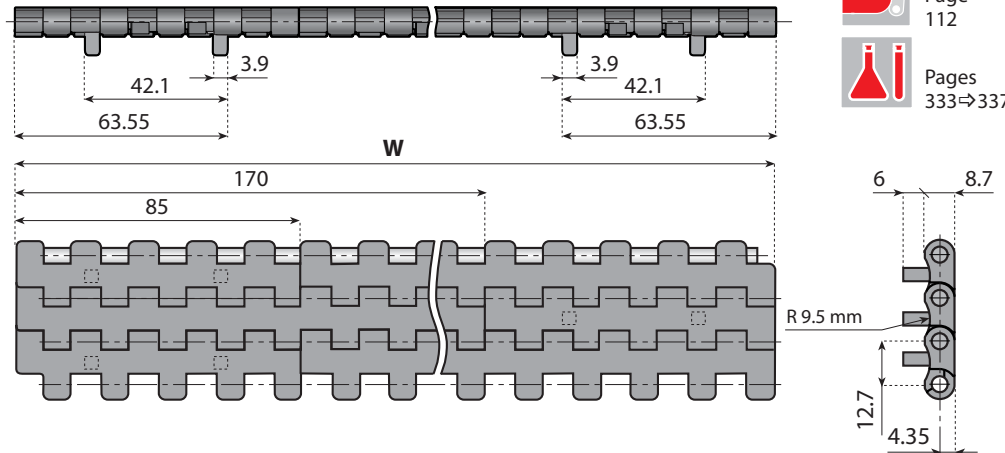
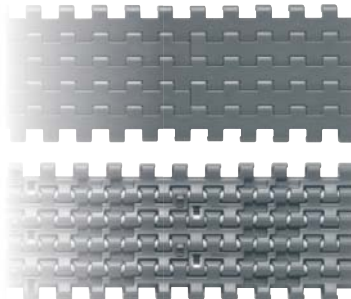
# FLAT TOP BELTS (Pitch 1/2" - 12.7 mm)

**Version with two positioners on both sides**  
**Backflex radius:** 10 mm  
**Max load capacity:** 20.000 N/m  
**Weight:** 8.8 Kg/m<sup>2</sup> (FT), 7.7 Kg/m<sup>2</sup> (FG)  
**Standard length:** 240 pitches (10 ft - 3.048 m)  
**Pin material:** PBT (white)

On request and for adequate quantities these chains can be produced in:

Standard materials		XPG	PP	AS
<b>LFG</b>	<b>NGG</b>	Extra Performance	Polypropylene	Anti-static Acetal Resin
Low Friction Acetal Resin	New Generation			

	Pages 4⇒7
	Pages 306⇒308 +310
	Page 112
	Pages 333⇒337



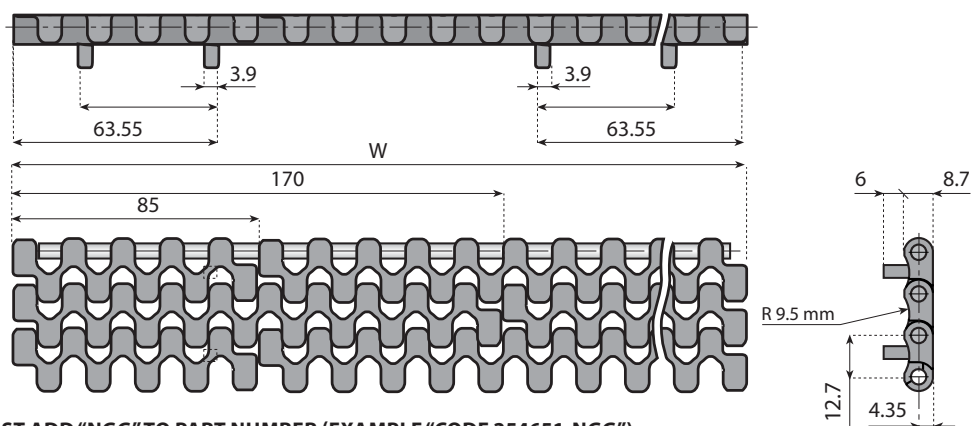
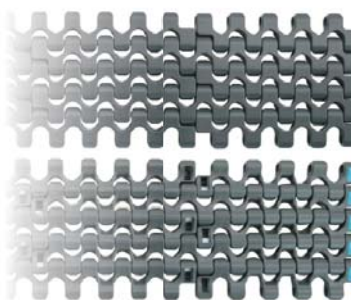
FOR BELTS AVAILABLE IN "NGG" MATERIAL JUST ADD "NGG" TO PART NUMBER (EXAMPLE "CODE 254601-NGG")

Width W mm	Belts Ref.	Code	Width W mm	Belts Ref.	Code	Width W mm	Belts Ref.	Code	Width W mm	Belts Ref.	Code
85	-	-	935	2120-0935 H-FTP2BD	<b>254610H</b>	1785	2120-1785 H-FTP2BD	<b>254620H</b>	2635	2120-2635 H-FTP2BD	<b>254630H</b>
170	2120-0170 H-FTP2BD	<b>254601H</b>	1020	2120-1020 H-FTP2BD	<b>254611H</b>	1870	2120-1870 H-FTP2BD	<b>254621H</b>	2720	2120-2720 H-FTP2BD	<b>254631H</b>
255	2120-0255 H-FTP2BD	<b>254602H</b>	1105	2120-1105 H-FTP2BD	<b>254612H</b>	1955	2120-1955 H-FTP2BD	<b>254622H</b>	2805	2120-2805 H-FTP2BD	<b>254632H</b>
340	2120-0340 H-FTP2BD	<b>254603H</b>	1190	2120-1190 H-FTP2BD	<b>254613H</b>	2040	2120-2040 H-FTP2BD	<b>254623H</b>	2890	2120-2890 H-FTP2BD	<b>254633H</b>
425	2120-0425 H-FTP2BD	<b>254604H</b>	1275	2120-1275 H-FTP2BD	<b>254614H</b>	2125	2120-2125 H-FTP2BD	<b>254624H</b>	2975	2120-2975 H-FTP2BD	<b>254634H</b>
510	2120-0510 H-FTP2BD	<b>254605H</b>	1360	2120-1360 H-FTP2BD	<b>254615H</b>	2210	2120-2210 H-FTP2BD	<b>254625H</b>	3060	2120-3060 H-FTP2BD	<b>254635H</b>
595	2120-0595 H-FTP2BD	<b>254606H</b>	1445	2120-1445 H-FTP2BD	<b>254616H</b>	2295	2120-2295 H-FTP2BD	<b>254626H</b>	3145	2120-3145 H-FTP2BD	<b>254636H</b>
680	2120-0680 H-FTP2BD	<b>254607H</b>	1530	2120-1530 H-FTP2BD	<b>254617H</b>	2380	2120-2380 H-FTP2BD	<b>254627H</b>	3230	2120-3230 H-FTP2BD	<b>254637H</b>
765	2120-0765 H-FTP2BD	<b>254608H</b>	1615	2120-1615 H-FTP2BD	<b>254618H</b>	2465	2120-2465 H-FTP2BD	<b>254628H</b>	3315	2120-3315 H-FTP2BD	<b>254638H</b>
850	2120-0850 H-FTP2BD	<b>254609H</b>	1700	2120-1700 H-FTP2BD	<b>254619H</b>	2550	2120-2550 H-FTP2BD	<b>254629H</b>	3400	2120-3400 H-FTP2BD	<b>254639H</b>

# 2120 FGP2BD

# FLUSH GRID BELTS (Pitch 1/2" - 12.7 mm)

**Open surface: 21%**



FOR BELTS AVAILABLE IN "NGG" MATERIAL JUST ADD "NGG" TO PART NUMBER (EXAMPLE "CODE 254651-NGG")

Width W mm	Belts Ref.	Code	Width W mm	Belts Ref.	Code	Width W mm	Belts Ref.	Code	Width W mm	Belts Ref.	Code
85	-	-	935	2120-0935 FGP2BD	<b>254660</b>	1785	2120-1785 FGP2BD	<b>254670</b>	2635	2120-2635 FGP2BD	<b>254680</b>
170	2120-0170 FGP2BD	<b>254651</b>	1020	2120-1020 FGP2BD	<b>254661</b>	1870	2120-1870 FGP2BD	<b>254671</b>	2720	2120-2720 FGP2BD	<b>254681</b>
255	2120-0255 FGP2BD	<b>254652</b>	1105	2120-1105 FGP2BD	<b>254662</b>	1955	2120-1955 FGP2BD	<b>254672</b>	2805	2120-2805 FGP2BD	<b>254682</b>
340	2120-0340 FGP2BD	<b>254653</b>	1190	2120-1190 FGP2BD	<b>254663</b>	2040	2120-2040 FGP2BD	<b>254673</b>	2890	2120-2890 FGP2BD	<b>254683</b>
425	2120-0425 FGP2BD	<b>254654</b>	1275	2120-1275 FGP2BD	<b>254664</b>	2125	2120-2125 FGP2BD	<b>254674</b>	2975	2120-2975 FGP2BD	<b>254684</b>
510	2120-0510 FGP2BD	<b>254655</b>	1360	2120-1360 FGP2BD	<b>254665</b>	2210	2120-2210 FGP2BD	<b>254675</b>	3060	2120-3060 FGP2BD	<b>254685</b>
595	2120-0595 FGP2BD	<b>254656</b>	1445	2120-1445 FGP2BD	<b>254666</b>	2295	2120-2295 FGP2BD	<b>254676</b>	3145	2120-3145 FGP2BD	<b>254686</b>
680	2120-0680 FGP2BD	<b>254657</b>	1530	2120-1530 FGP2BD	<b>254667</b>	2380	2120-2380 FGP2BD	<b>254677</b>	3230	2120-3230 FGP2BD	<b>254687</b>
765	2120-0765 FGP2BD	<b>254658</b>	1615	2120-1615 FGP2BD	<b>254668</b>	2465	2120-2465 FGP2BD	<b>254678</b>	3315	2120-3315 FGP2BD	<b>254688</b>
850	2120-0850 FGP2BD	<b>254659</b>	1700	2120-1700 FGP2BD	<b>254669</b>	2550	2120-2550 FGP2BD	<b>254679</b>	3400	2120-3400 FGP2BD	<b>254689</b>