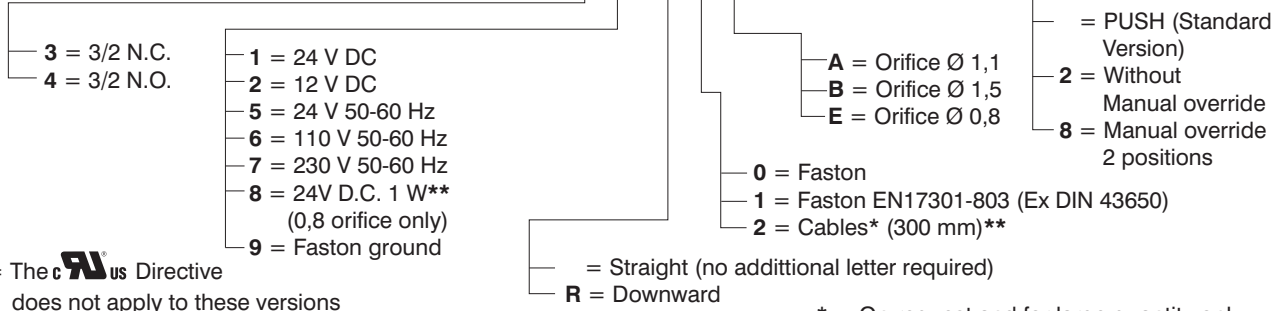




15 mm miniature solenoid ordering codes

N3



** = The CE Directive does not apply to these versions

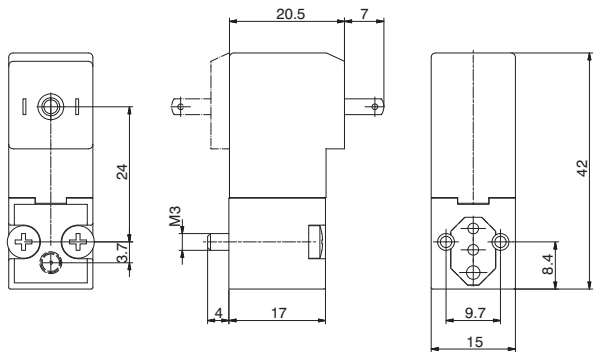
See previous page for available versions

* = On request and for large quantity only (only 24 V D.C., 2.3 W)

With Faston



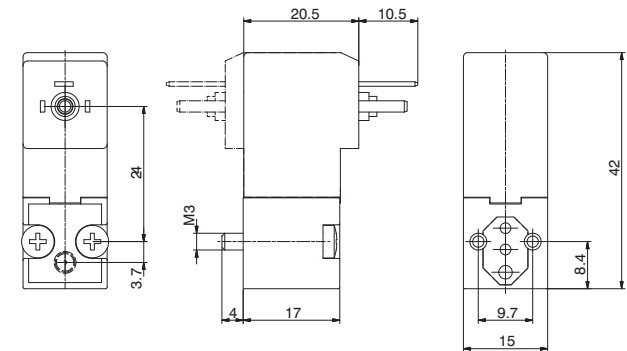
Weight 36 gr.



With Faston EN17301-803 (Ex DIN 43650)



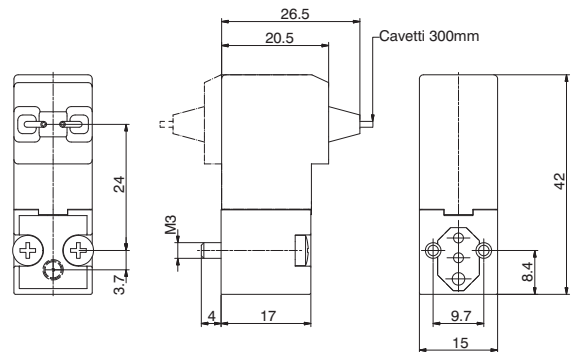
Weight 36 gr.



With Cables (300 mm)



Weight 38 gr.



With Faston ground



Weight 38 gr.

