

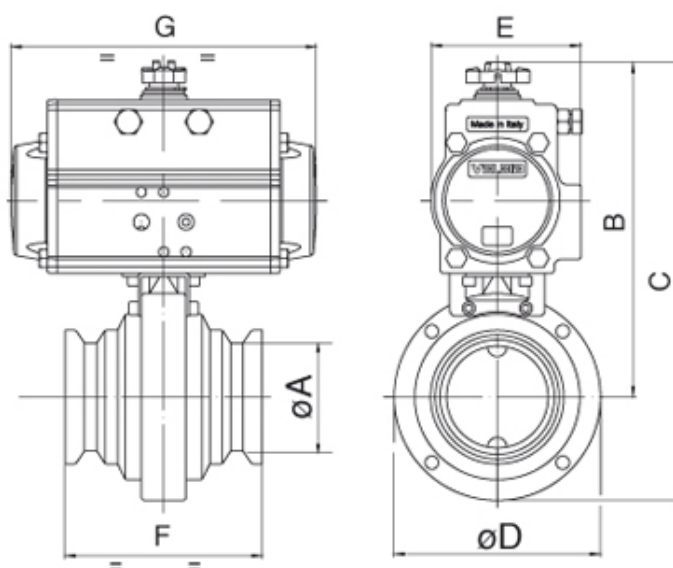


Serie **FARFALLA**

Articolo **8P025900 - 8P026000**

Butterfly valve, CLAMP connections, stainless steel AISI 304 with actuator.

PRESSIONE MINIMA ALIMENTAZIONE ATTUATORE 6 bar actuator air supply pressure minimum 6 bar



Art. 8P025900

VALVOLA CON ATTUATORE DOPPIO EFFETTO VALVE WITH DOUBLE ACTING ACTUATOR

|       |       |       |       |       |       |       |       |
|-------|-------|-------|-------|-------|-------|-------|-------|
| PN    | 6     | 6     | 6     | 6     | 6     | 6     | 6     |
| CLAMP | 3/4"  | 1"    | 1"1/2 | 2"    | 2"1/2 | 3"    | 4"    |
| ØA    | 19    | 25    | 38    | 51    | 63    | 76    | 101   |
| B     | 113   | 113   | 155   | 174   | 197   | 202   | 223   |
| C     | 138   | 153   | 197   | 227   | 254   | 265   | 302   |
| ØD    | 50    | 79    | 85    | 105   | 113   | 125   | 157   |
| E     | 45    | 45    | 71    | 81    | 95    | 95    | 106   |
| F     | 58    | 68    | 76    | 80    | 82    | 82    | 88    |
| G     | 110   | 110   | 141   | 164   | 210   | 210   | 241   |
| ACT.  | DA 32 | DA 32 | DA 52 | DA 63 | DA 75 | DA 75 | DA 85 |

Art. 8P026000

VALVOLA CON ATTUATORE SEMPLICE EFFETTO VALVE WITH SPRING RETURN ACTUATOR

|       |       |       |       |       |       |       |        |
|-------|-------|-------|-------|-------|-------|-------|--------|
| PN    | 6     | 6     | 6     | 6     | 6     | 6     | 6      |
| CLAMP | 3/4"  | 1"    | 1"1/2 | 2"    | 2"1/2 | 3"    | 4"     |
| ØA    | 19    | 25    | 38    | 51    | 63    | 76    | 101    |
| B     | 150   | 150   | 166   | 192   | 197   | 216   | 236    |
| C     | 175   | 189   | 209   | 245   | 254   | 279   | 314    |
| ØD    | 50    | 79    | 85    | 105   | 113   | 125   | 157    |
| E     | 71    | 71    | 81    | 95    | 95    | 106   | 123    |
| F     | 58    | 68    | 76    | 80    | 82    | 82    | 88     |
| G     | 141   | 141   | 164   | 210   | 210   | 241   | 275    |
| ACT.  | SR 52 | SR 52 | SR 63 | SR 75 | SR 75 | SR 85 | SR 100 |

